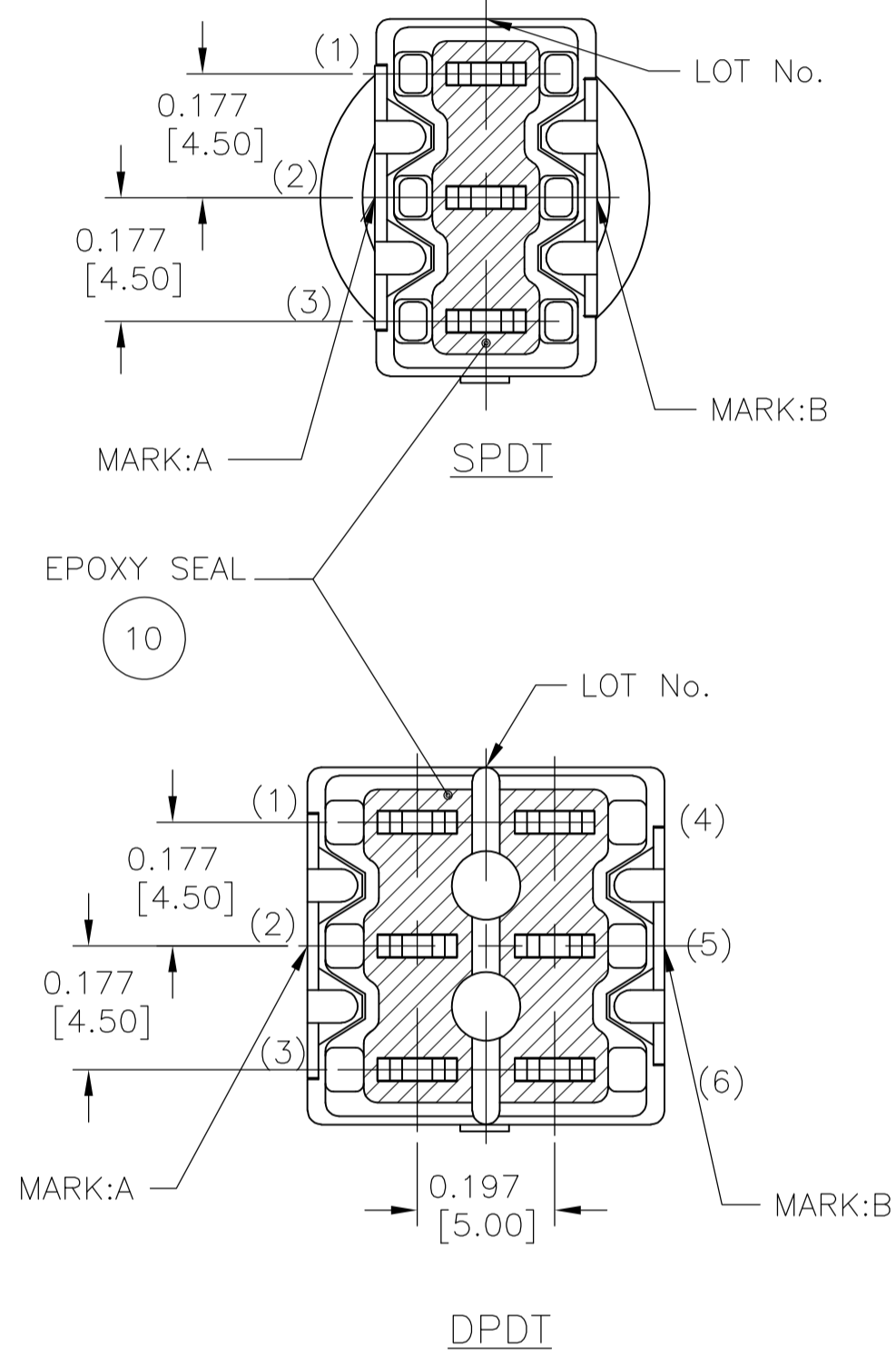
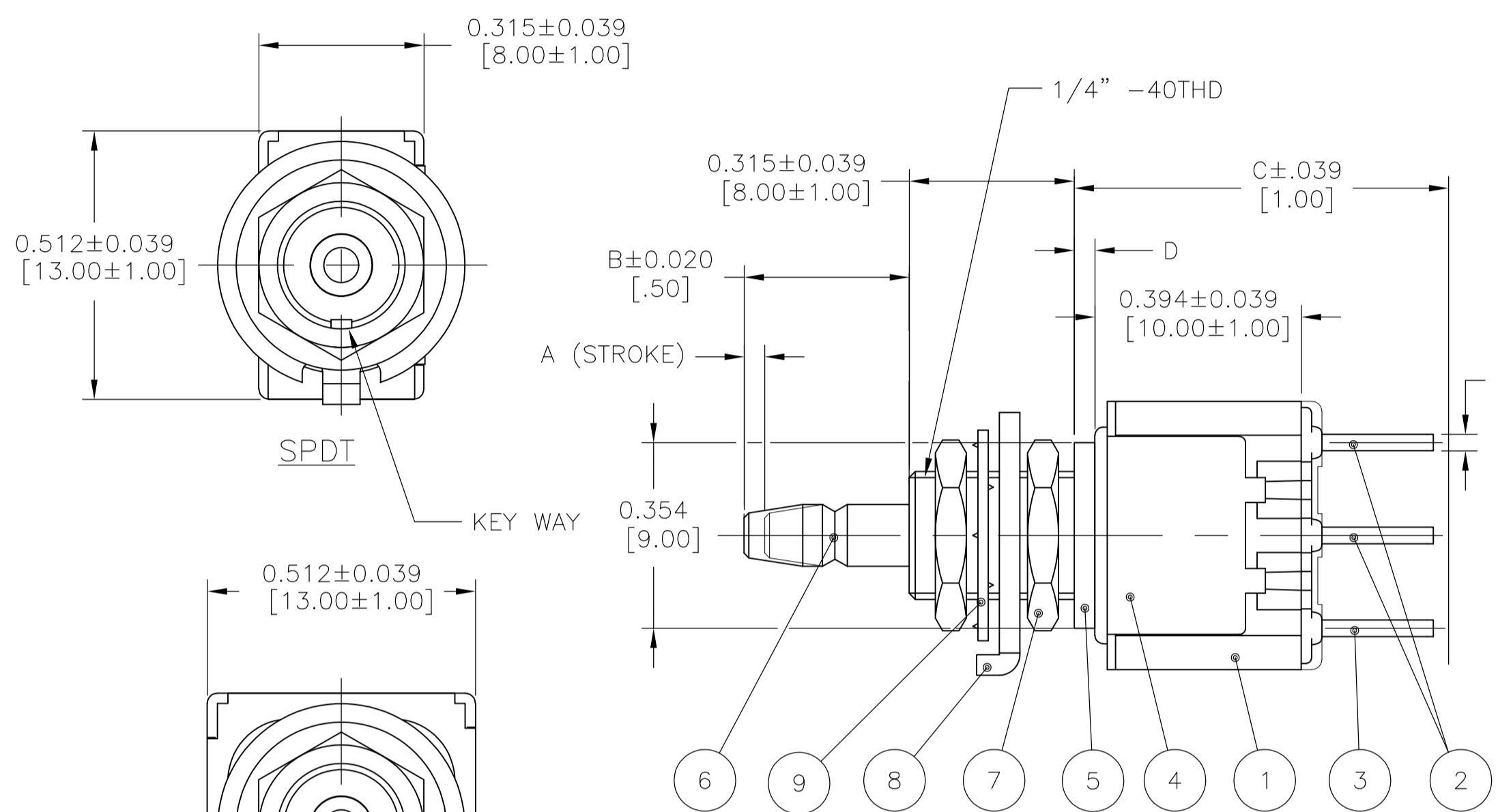


	OPERATING FORCE	DIMENSION				PART NUMBER	TYPE	MARK		ACTUATED	
		A	B	C	D			MARK:A	MARK:B		
ON-ON	7	.098 [2.5]	.331 [8.4]	.744 [18.9]	.098 [2.5]	1977740-1 MPS103DPC	SPDT	MPS103D ALCO	AC 3A 125V ON ON C	3-2	3-1
MOMENTARY ON-(ON)	9	.039 [1]	.315 [8]	.685 [17.4]	.039 [1]	1977740-2 MPS103FPC	SPDT	MPS103F ALCO	AC 3A 125V NO NC C		(3)-(1)
ON-ON	8	.098 [2.5]	.331 [8.4]	.744 [18.9]	.098 [2.5]	1977740-3 MPS203NPC	DPDT	MPS203N ALCO	AC 3A 125V ON ON C	3-2 6-5	3-1 6-4
MOMENTARY ON-(ON)	10	.039 [1]	.315 [8]	.685 [17.4]	.039 [1]	1977740-4 MPS203RPC	DPDT	MPS203R ALCO	AC 3A 125V NO NC C		(3)-(1) (6)-(4)

NOTE: TERMINALS 4,5,6 ARE FOUND ONLY ON DP VERSIONS (-3, -4)



SPECIFICATIONS:

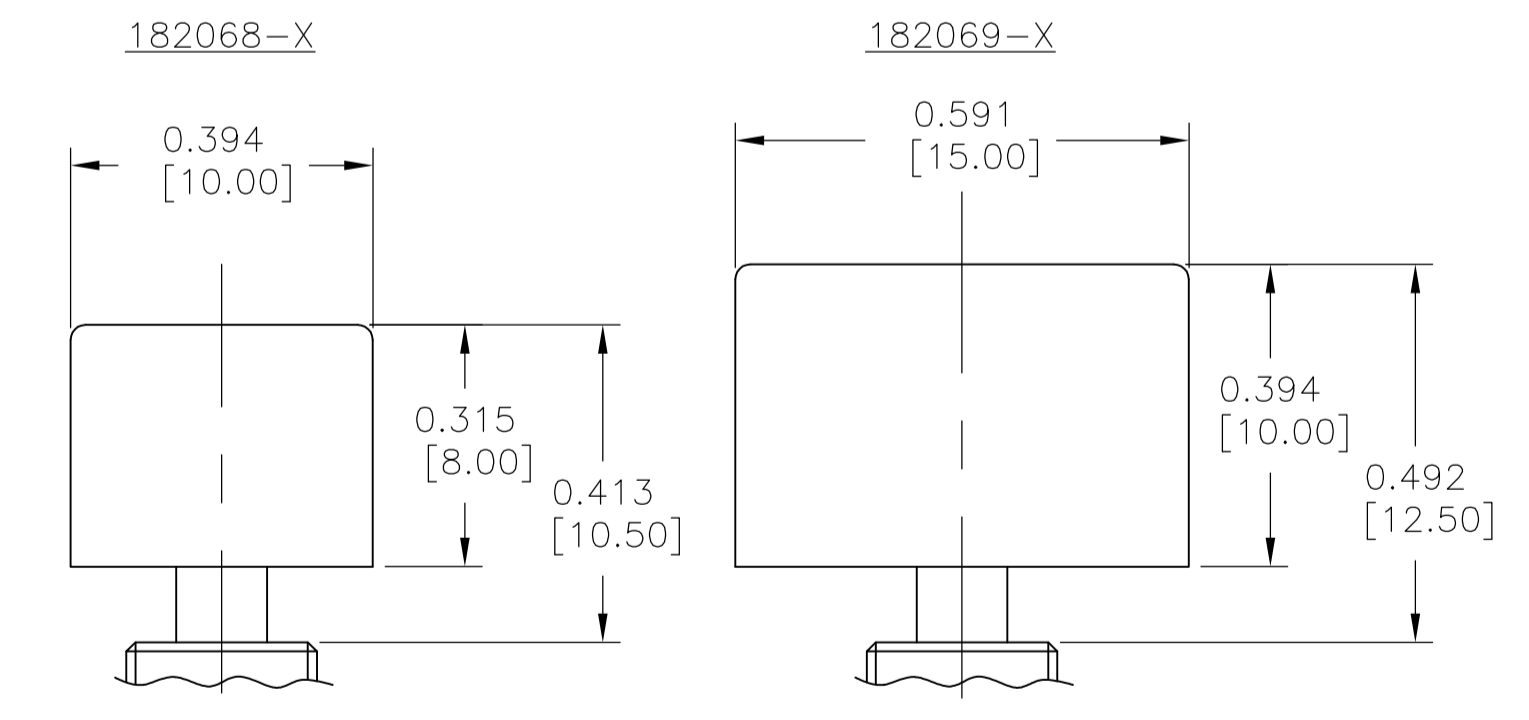
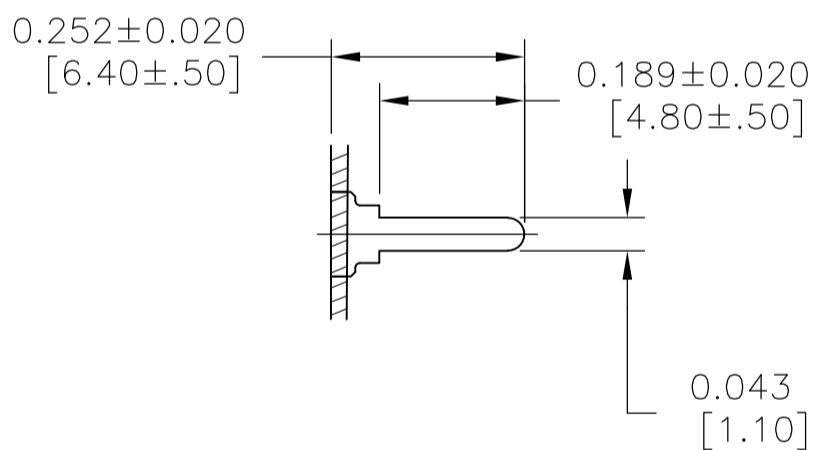
- RATING: 3A 125V AC (RESISTIVE LOAD)
- INITIAL CONTACT RESISTANCE: 10mΩ MAX. AT 1A 2~4V DC.
- INITIAL INSULATION RESISTANCE: 1,000MΩ MIN. AT 500V DC.(BETWEEN TERMINALS AND TERMINAL-GROUND)
- INITIAL DIELECTRIC STRENGTH: 1,000V AC FOR 1 MINUTE.(BETWEEN TERMINALS AND TERMINAL-GROUND)
- DURABILITY: 25,000 CYCLES
- LEAKAGE CURRENT: 500µA MAX.AT RATING VOLTAGE FOR 5 SECONDS. AFTER ELECTRICAL ENDURANCE (BETWEEN TERMINALS AND TERMINAL-GROUND)

OPERATING FORCE:

- 7 3.92±1.96N.(400±200gf)
- 8 4.9±1.96N.(500±200gf)
- 9 2.94±0.98N.(300±100gf)
- 10 4.9±1.96N.(500±200gf)

- 11 OPERATING TEMP: -20 ~ +85°C
STORAGE TEMP: -40 ~ +85°C
- 12 ALL MATERIALS AND FINISHES SHALL COMPLY WITH EU DIRECTIVE 2002/95/EC OF 27JAN2003 (ROHS)

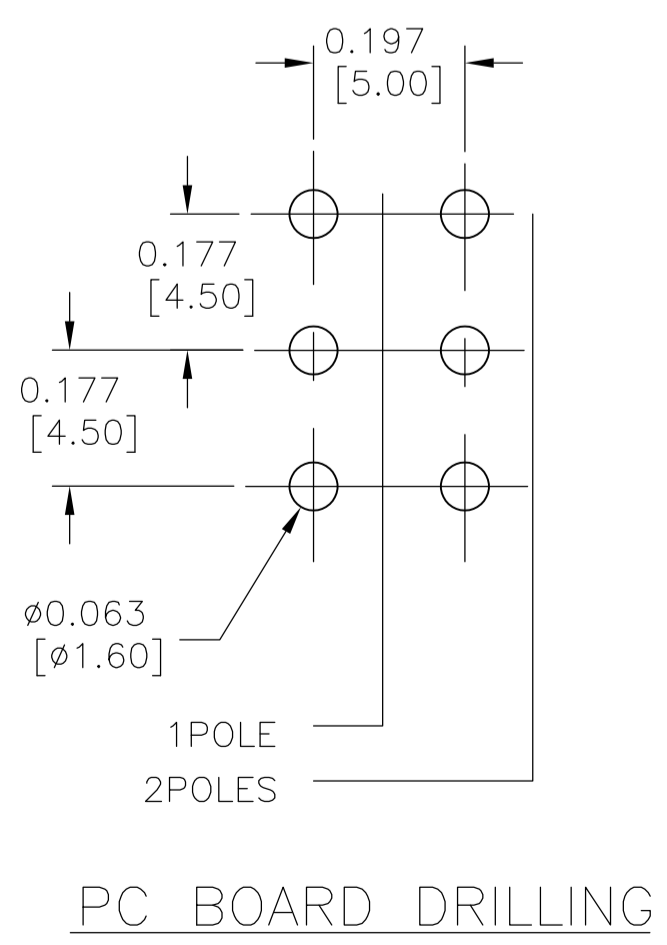
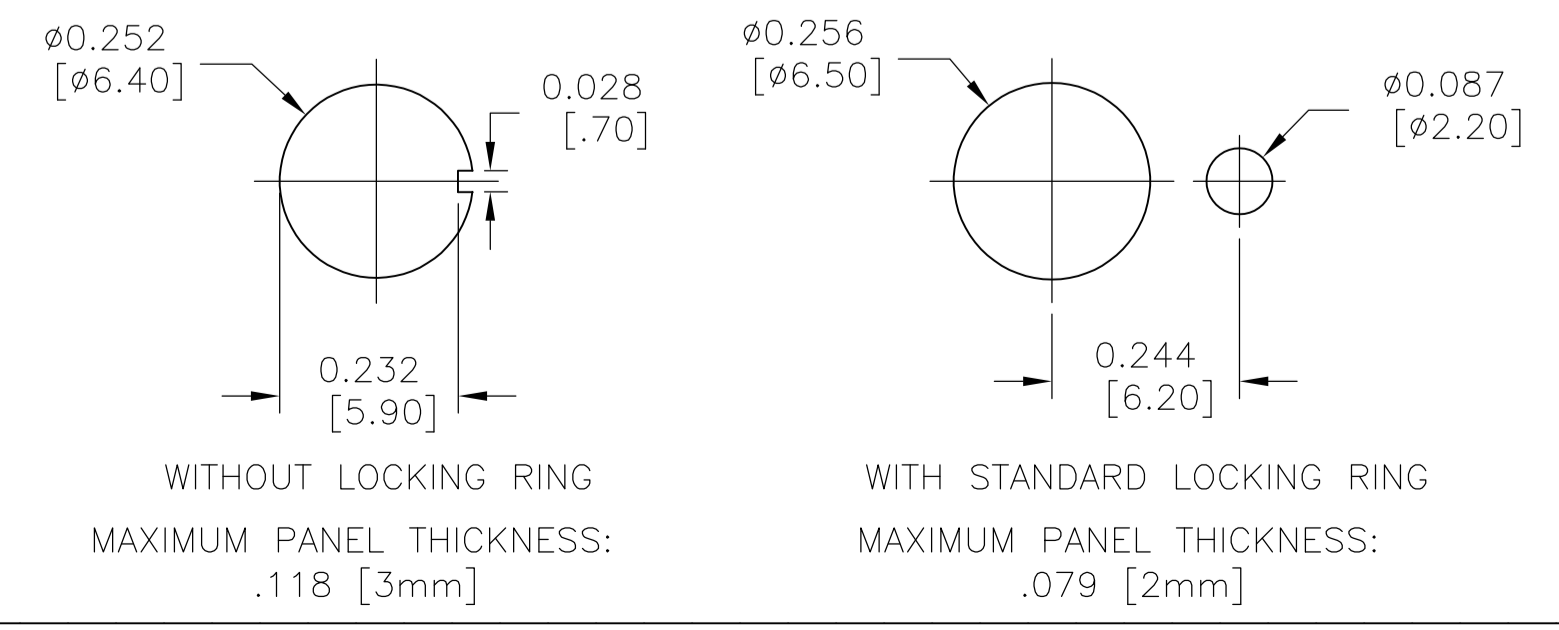
TERMINAL FORM



BUTTON CAP
 SOLD SEPARATELY

SEE DRAWINGS 1825068 (ø.394 [10 MM]) & 1825069 (ø.591 [15 MM]) FOR COLOR CHOICES

PANEL CUT-OUTS



A/R	A/R	BLUE	-	EPOXY	10
1	1	ZINC PLATE	CARBON TOOL STEEL	TOOTH WASHER	9
1	1	ZINC PLATE	COLD ROLLED STEEL	LOCATING RING	8
2	2	NICKEL PLATE	BRASS	HEX NUT	7
1	1	NICKEL PLATE	BRASS	PLUNGER	6
1	1	NICKEL PLATE	BRASS	MOUNTING SLEEVE	5
1	1	-	STAINLESS STEEL	FRAME	4
2	1	SILVER PLATE	BRASS	COMMON TERMINAL	3
4	2	SILVER PLATE	SILVER + BRASS	FIXED CONTACT	2
1	1	(BLUE)	EPOXY RESIN	CASE	1
2	1	FINISH (COLOR)	MATERIALS	PARTS	NO

THIS DRAWING IS A CONTROLLED DOCUMENT.

DIMENSIONS: INCHES[MM]	TOLERANCES UNLESS OTHERWISE SPECIFIED:	DWG: RAGHAVENDRA 28JAN11	CHK: EPPLEY NAZ 28JAN11	APVD: EPPLEY NAZ 28JAN11	NAME: EPPLEY NAZ	PRODUCT SPEC: -	APPLICATION SPEC: -	SIZE: A1	SCALE: 4:1	SHEET: 1 of 1	REV: B1
0 PLC ± -	1 PLC ± -	2 PLC ± -	3 PLC ± .010 [.25]	4 PLC ± -	ANGLES ± -	WEIGHT: -	CUSTOMER DRAWING	00779	1977740		

MATERIAL: - FINISH: -

THIS DRAWING IS A CONTROLLED DOCUMENT. Tyco Electronics Corporation Harrisburg, PA 17105-3608

MPS SERIES PUSHBUTTON
 MPS103 (SPDT) & MPS203 (DPDT)
 PCB TERMINATION