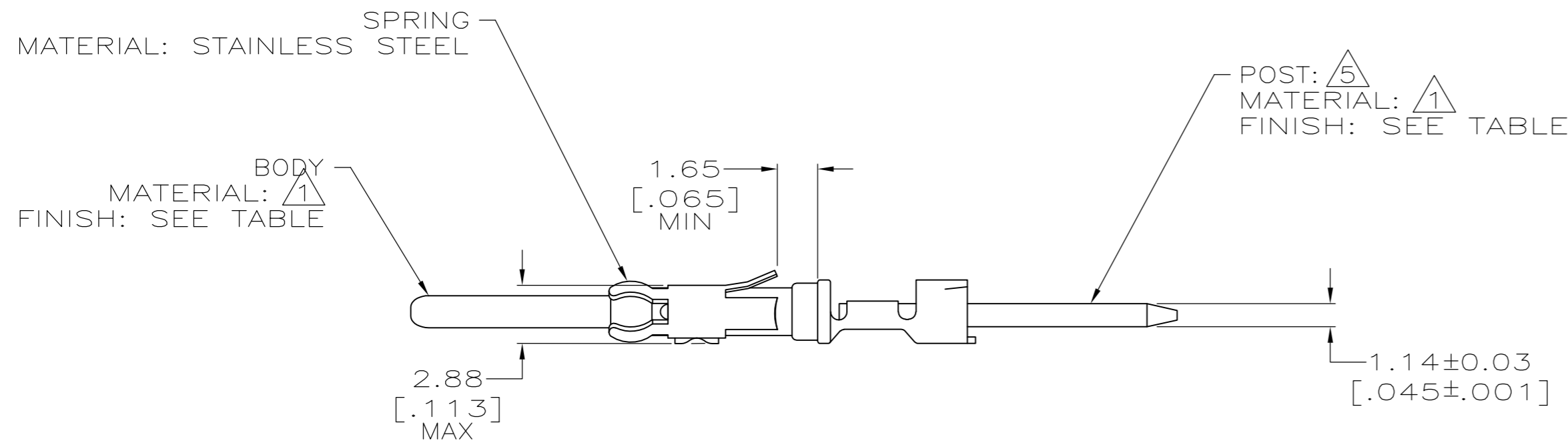
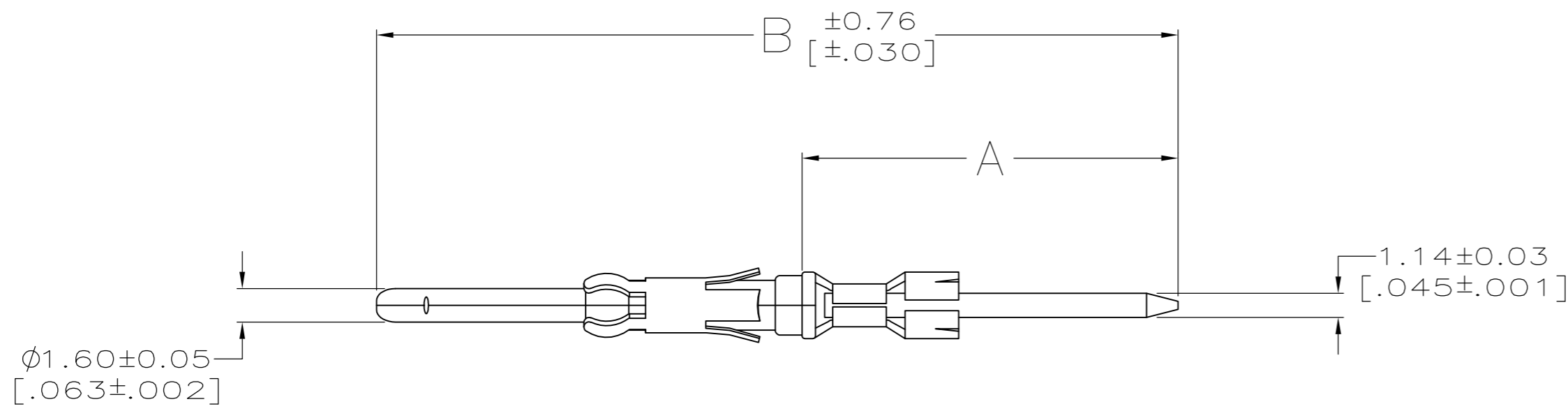


THIS DRAWING IS UNPUBLISHED. RELEASED FOR PUBLICATION
 © COPYRIGHT BY TYCO ELECTRONICS CORPORATION. ALL RIGHTS RESERVED.

| LOC | DIST | REVISIONS | | | | | |
|-----|------|-----------|-----|-----------------------------|----------|-----|------|
| FT | 0 | P | LTR | DESCRIPTION | DATE | DWN | APVD |
| | | V | | REVISE PER ECN 0G3B-1137-04 | 12/15/04 | SS | GS |
| | | V1 | | REVISED PER ECO-09-020689 | 28AUG09 | KK | AEG |



- ① BRASS PER ASTM B-36.
- ② 2.54um[.000100] MIN TIN-LEAD OVER 1.27um[.000050] MIN NICKEL.
- ③ SELECTIVELY PLATED 0.76um[.000030] MIN GOLD, FOR A DISTANCE OF 5.08[.200] FROM MATING END, GOLD FLASH ON REMAINDER, ALL OVER 1.27um[.000050] MIN NICKEL.
- 4. GOLD PLATING NOT TO APPEAR ON INSULATION SUPPORT STABILIZER.
- ⑤ POST WILL ACCEPT (SEE TABLE) TERMINATIONS.
- ⑥ .000100 MIN TIN OVER .000050 NICKEL. (POST)
- ⑦ OBSOLETE PARTS: OBSOLETE CIS STREAMLINING PER D.RENAUD/D.SINISI

| | | | | | |
|-------------|-------------|------------------|------------------|------------------|-------------|
| ⑥ | ③ | SPECIAL | 35.03 [1.379] | 14.86 [.585] | 1-66471-9 |
| | ③ | 1 | 37.97 [1.495] | 17.81 [.701] | 1-66471-8 |
| | ⑥ | 3 | 49.89 [1.964] | 29.74 [1.171] | 1-66471-7 |
| | ⑥ | 1 | 37.97 [1.495] | 17.81 [.701] | 1-66471-6 |
| | ③ | 3 | 49.89 [1.964] | 29.74 [1.171] | 1-66471-5 |
| ② | ③ | SPECIAL | 35.03 [1.379] | 14.86 [.585] | ⑦ 1-66471-4 |
| | - | - | - | - | - |
| | - | - | - | - | - |
| | - | - | - | - | - |
| | ② | SPECIAL | 40.79 [1.606] | 20.65 [.813] | 1-66471-0 |
| | ③ | 3 | 49.89 [1.964] | 29.74 [1.171] | 66471-9 |
| | ③ | 1 | 37.97 [1.495] | 17.81 [.701] | 66471-7 |
| | ② | 3 | 49.89 [1.964] | 29.74 [1.171] | 66471-3 |
| ② | 1 | 37.97 [1.495] | 17.81 [.701] | 66471-1 | |
| POST FINISH | BODY FINISH | NO OF TERM | B | A | PART NUMBER |

| | | | | |
|--|--|-------------------------------------|---|--|
| THIS DRAWING IS A CONTROLLED DOCUMENT. | | DWN C.REIFSNYDER 07 JUN 96 | Tyco Electronics Corporation Harrisburg, Pa 17105-3608 | |
| DIMENSIONS: mm [INCHES] | | CHK R.STONE 12 JUL 96 | NAME G.A.STEINHAUER | |
| TOLERANCES UNLESS OTHERWISE SPECIFIED: | | APVD G.A.STEINHAUER 23 JUL 96 | PRODUCT SPEC | |
| 0 PLC ± - | | APPLICATION SPEC | | |
| 1 PLC ± - | | WEIGHT - | | |
| 2 PLC ± 0.25[.010] | | SIZE A2 | | |
| 3 PLC ± - | | CAGE CODE 00779 | | |
| 4 PLC ± - | | DRAWING NO C=66471 | | |
| ANGLES ± - | | RESTRICTED TO - | | |
| FINISH SEE CALLOUTS | | SCALE 4:1 SHEET 1 OF 1 REV V1 | | |
| MATERIAL SEE CALLOUTS | | CUSTOMER DRAWING | | |