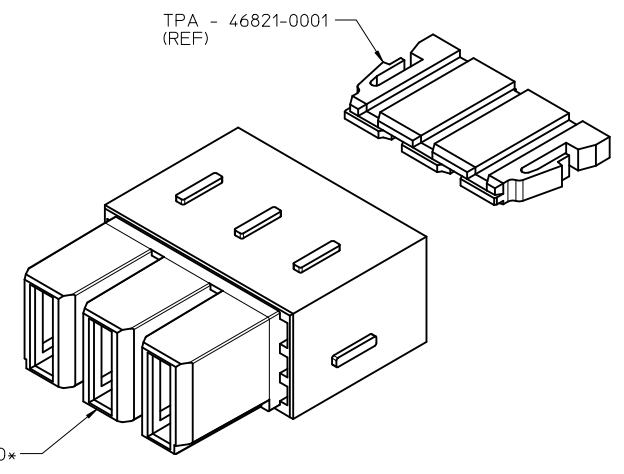
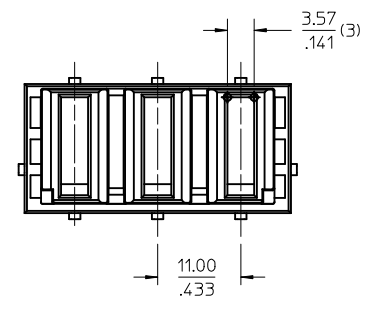
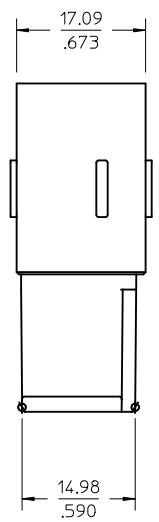
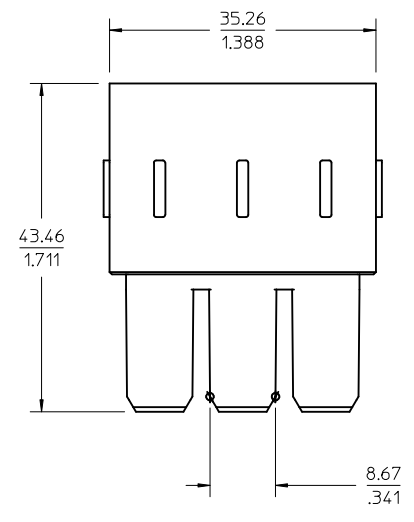


ITEM NO	PART NUMBER	DESCRIPTION
1	46818-0001	FOR 8-10 AWG WIRE
2	46818-0003	FOR 6 AWG WIRE

NOTES:

1. MATERIAL: PBT 30% GLASS FILLED 89992-0030
COLOR: BLACK
2. HOUSING FOR USE WITH TERMINAL SERIES 46819 PER MOLEX DRAWING SD-46819-001 AND CABLE ASSEMBLY SERIES 111119
3. REQUIRES TPA SD-46821-001 TO SECURE TERMINALS
4. HOUSING IS ROHS COMPLIANT
5. TPA MUST BE USED WITH HOUSING
6. TPA IS TO BE ORDERED SEPARATELY
7. DO NOT INSERT THE TPA INTO CRIMP HOUSING UNTIL THE CRIMP TERMINAL WITH WIRES HAS BEEN INSERTED



ADD NOTES/REV VIEW EC NO: UCP2012-3786 DRWN: JUILLES 2012/05/21 CHKD: HKRADIWAS 2012/05/21 APPR: APATEL 2012/06/01	QUALITY SYMBOLS ▽=0 ▽=0 ▽=0	GENERAL TOLERANCES (UNLESS SPECIFIED)		DIMENSION STYLE MM/IN	SCALE 2:1	DESIGN UNITS METRIC	THIRD ANGLE PROJECTION	
		4 PLACES ± --- ± --- 3 PLACES ± --- ± .005 2 PLACES ± 0.13 ± 0 1 PLACE ± 0 ± ---	DRAWN BY MDATA	DATE 3-9-09	TITLE GUARDIAN CRIMP RECEPTACLE HOUSING 3 CKT			
		ANGULAR ± 1/2°	CHECKED BY MDATA	DATE 3-9-09	APPROVED BY APATEL			
		DRAFT WHERE APPLICABLE MUST REMAIN WITHIN DIMENSIONS	MATERIAL NO. SEE CHART	DATE 2012/01/24	MOLEX INCORPORATED		DOCUMENT NO. SD-46818-001	SHEET NO. 1 OF 1