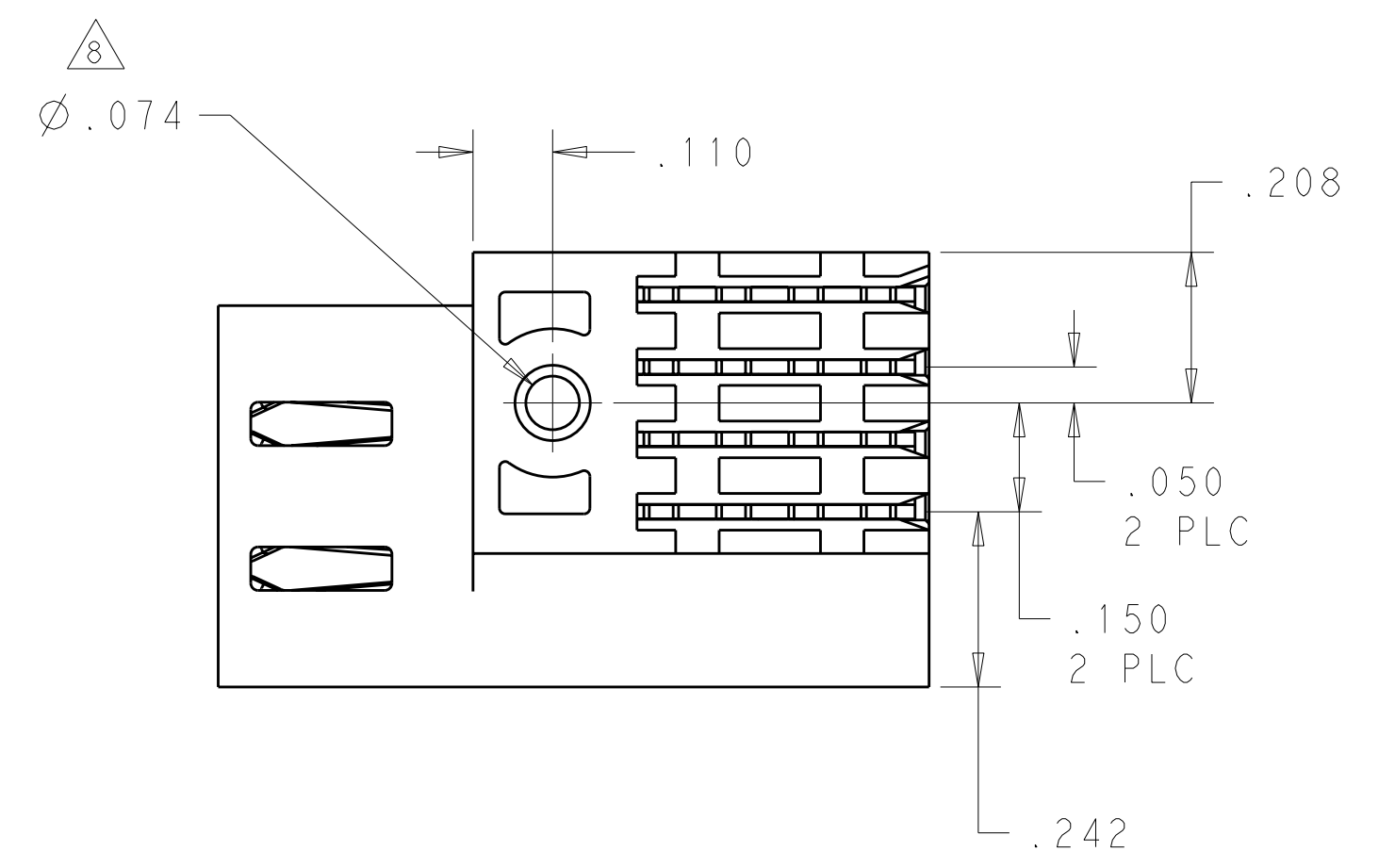
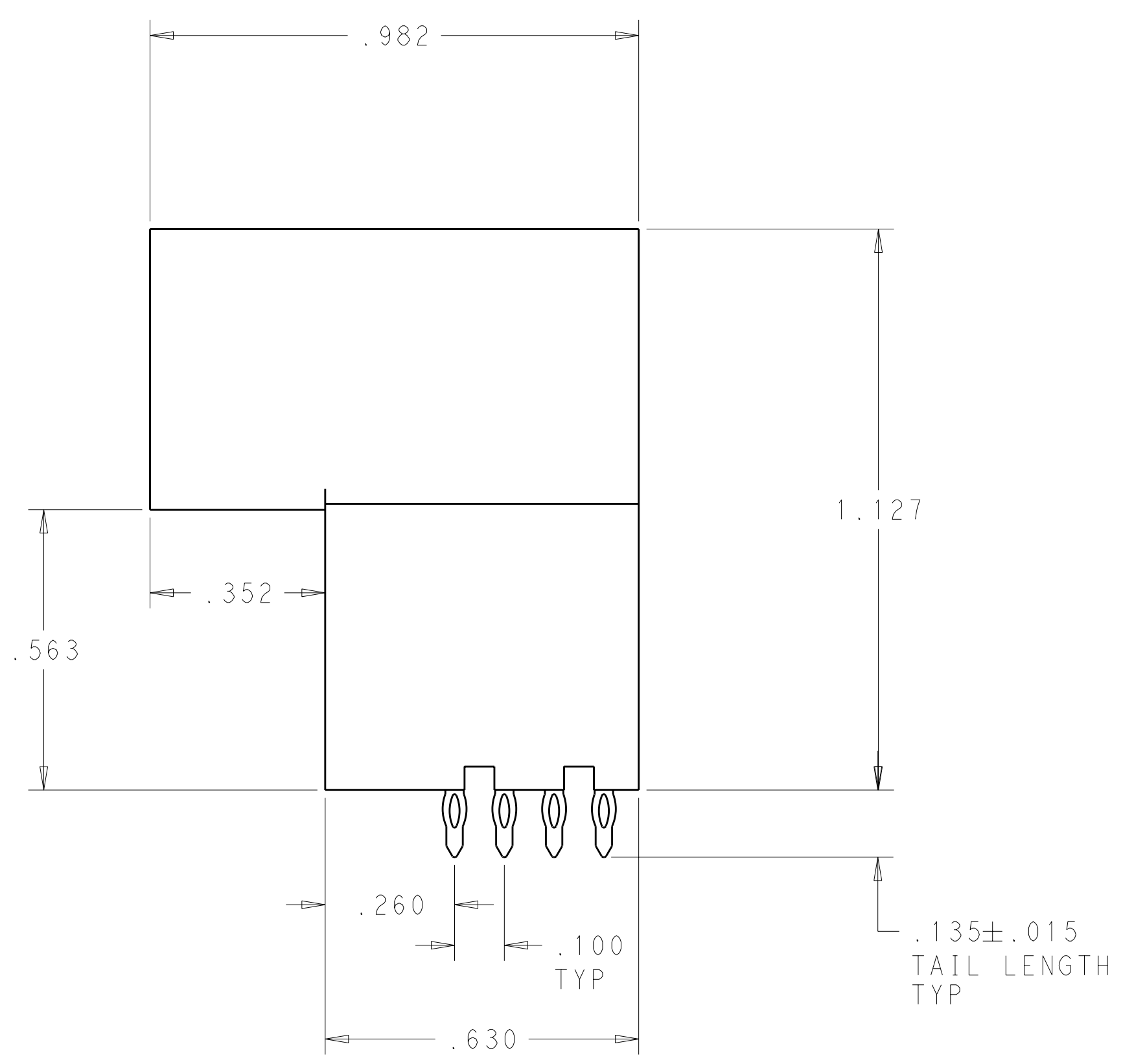
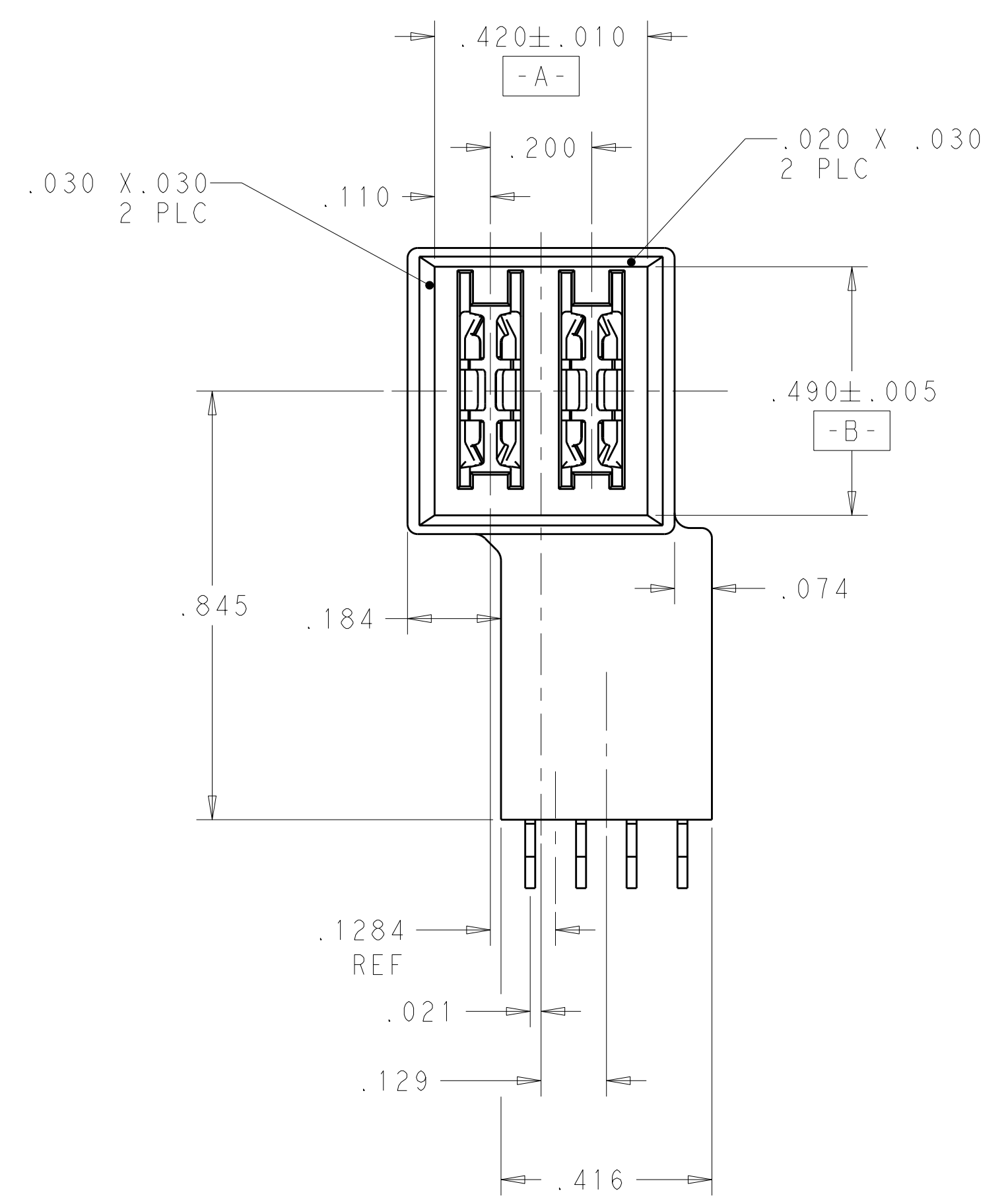
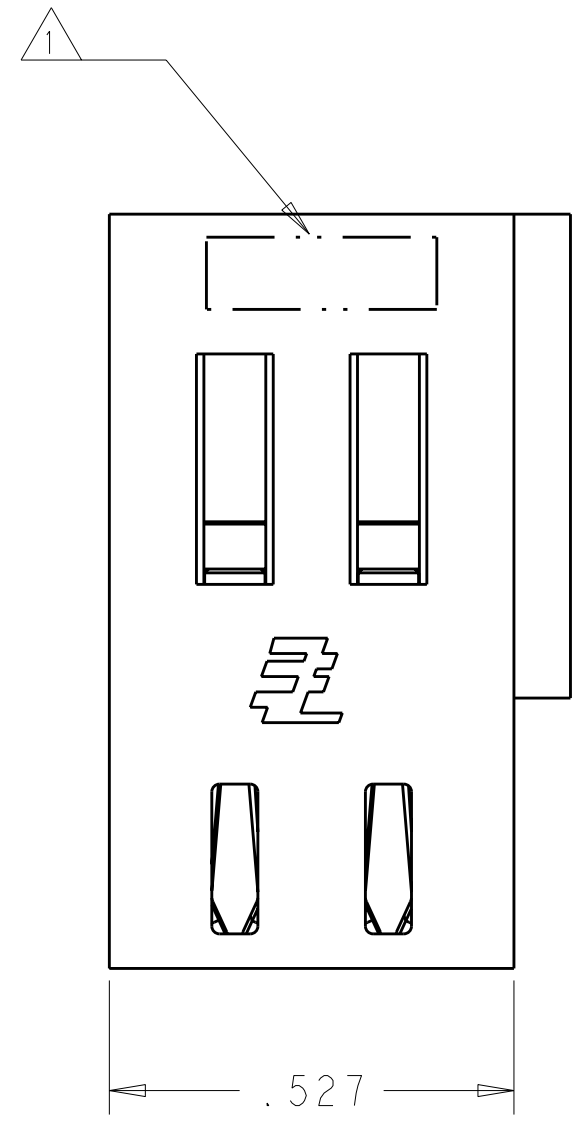


LOC	DIST	REV	DATE	DWN	APVD
ES	00	B	10OCT2011	CZ	SY
		REVISIONS			
		DESCRIPTION	DATE	DWN	APVD
		REV PER ECR-11-020579	10OCT2011	CZ	SY



- △ "AMP", TRADEMARK, PART NUMBER AND DATE CODE TO BE MARKED IN AREA SHOWN
- △ MATERIAL: HOUSING - GLASS FILLED HIGH TEMP THERMO PLASTIC, UL94 V-0
 SIGNAL CONTACT - HIGH CONDUCTIVITY COPPER ALLOY
 POWER CONTACT - HIGH CONDUCTIVITY COPPER ALLOY
 POWER CONTACTS - .000050 MIN Ni UNDER ALL
 .000030 MIN Au ON CONTACT AREA
 .000100 MIN Sn AT PCB INTERFACE
- △ MECHANICAL CONNECTOR KEEP OUT ZONE
- △ DATUM AND BASIC DIMENSIONS ESTABLISHED BY CUSTOMER
- △ PCB - ALL HOLE DIAMETERS ARE FINISHED HOLE SIZES
- △ PCB - .0453 ± .0010 DRILLED HOLES PLATED WITH .0003 MIN Sn OVER
 .001 TO .003 CU PLATING TO ACHIEVE A .040 ± .003 DIA HOLE
- ⓐ △ RECOMMENDED TORQUE IS 4 IN.LB WHEN SCREW 2057509-1 IS USED AND
 ASSUMED THAT THE CARD THICKNESS IS 3MM
- △ A LUBRICANT COMPOSED KRYTOX APPLIED TO THE MATING INTERFACE OF THE CONTACTS
- △ A LUBRICANT HMI5 APPLIED TO THE MATING INTERFACE OF THE CONTACTS

SUPERSEDED BY 1892714-2

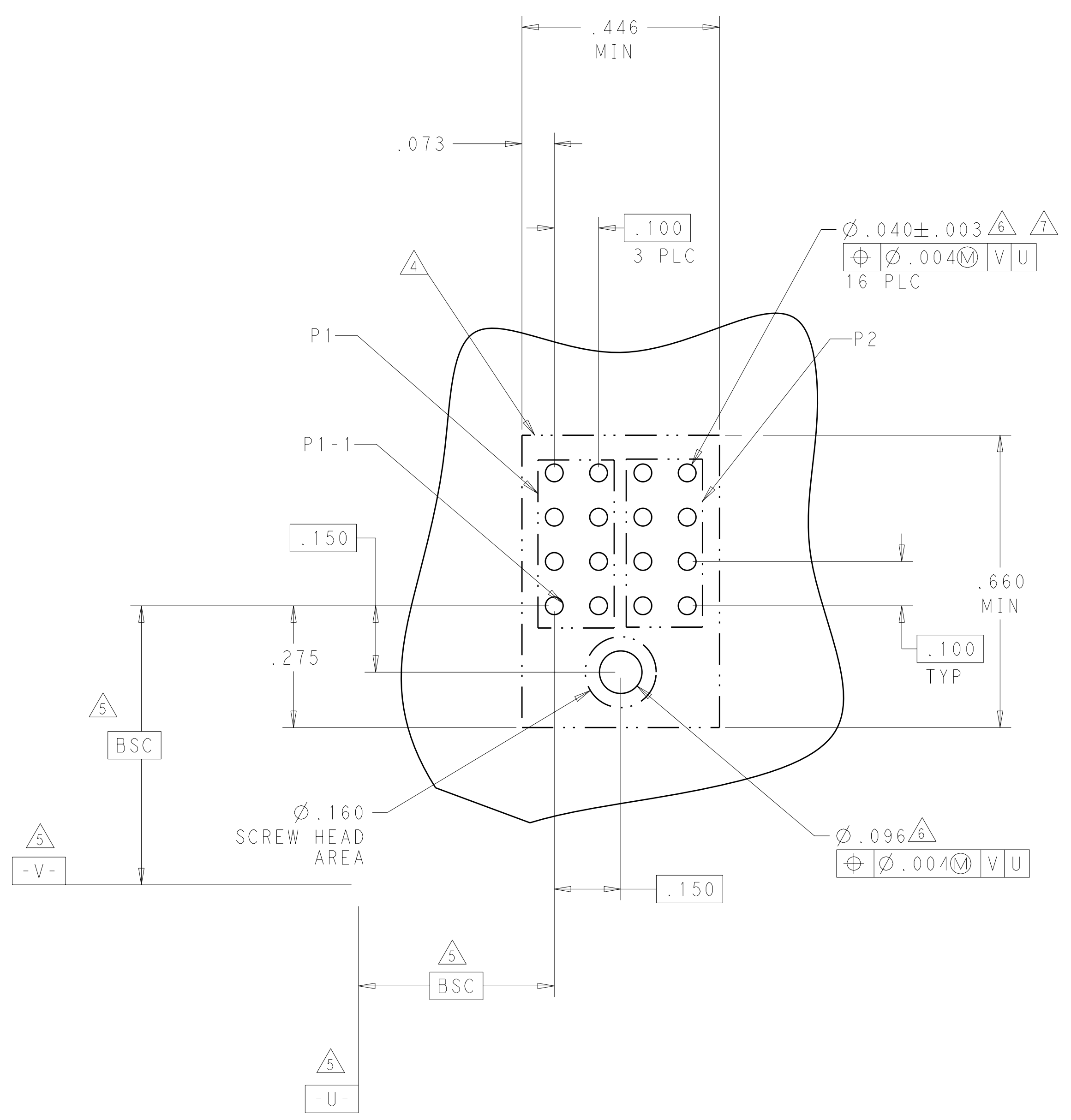
△	2P	1892714-2
△	2P	1892714-1
LUBRICANT	DESCRIPTION	PART NUMBER
	RIGHT ANGLE PLUG ASSEMBLY WITH RAISED HEIGHT MULTI-BEAM XLE	
DIMENSIONS: INCHES TOLERANCES UNLESS OTHERWISE SPECIFIED: 9 PLC ± 3 PLC ± 5 PLC ±.005 4 PLC ±.0020 ANGLES ±.2° FINISH		DWN: C. ZHOU 05MAR2010 CHK: S. ZHAO 05MAR2010 APVD: - NAME: - PRODUCT SPEC: - APPLICATION SPEC: - WEIGHT: - CUSTOMER DRAWING
MATERIAL: - FINISH: -		SIZE: A100779 CAGE CODE: C=1892714 DRAWING NO: 1892714-2 RESTRICTED TO: IBM SCALE: - SHEET 1 OF 3 REV B

LOC	DIST	REV	DATE	BY	APPD
ES	00				
REVISIONS			DESCRIPTION	DATE	DWN
			SEE SHEET 1		

SUPERSEDED BY 1892714-2

PART NUMBER	POWER	
	P1	P2
1892714-1	CA	CA
2P		

PART NUMBER	POWER	
	P1	P2
1892714-2	CA	CA
2P		

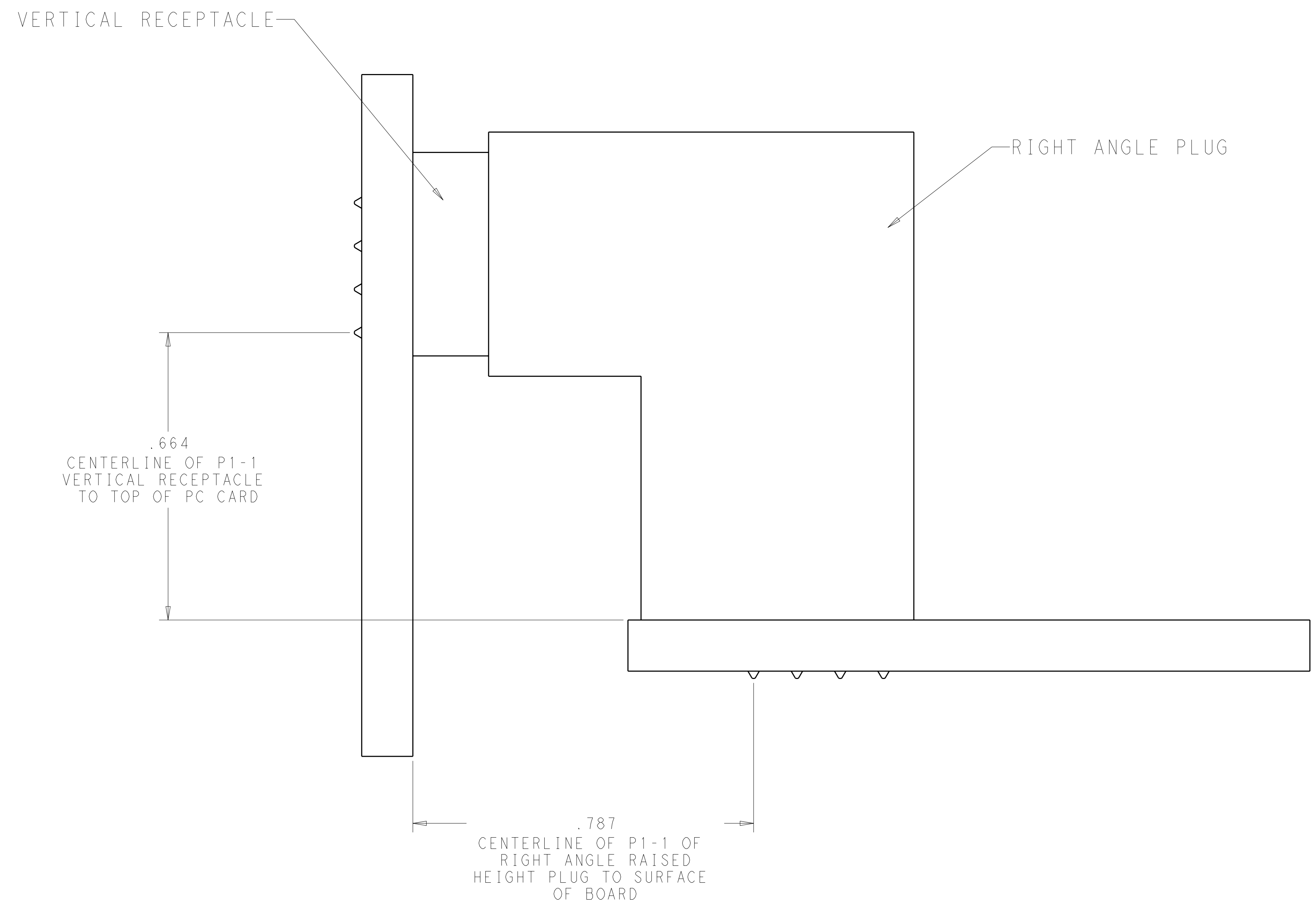


RECOMMENDED 1892714-1 AND 1892714-2 PCB LAYOUT

CA	POWER CONTACT, STD
CODE	DESCRIPTION
CONTACTS	

THIS DRAWING IS A CONTROLLED DOCUMENT.		DWN	C. ZHOU	05MAR2010												
DIMENSIONS: INCHES		CHK	S. ZHAO	05MAR2010												
TOLERANCES UNLESS OTHERWISE SPECIFIED:		APVD														
<table border="1"> <tr><td>9 PLC</td><td>±</td></tr> <tr><td>1 PLC</td><td>±</td></tr> <tr><td>2 PLC</td><td>±</td></tr> <tr><td>3 PLC</td><td>±.005</td></tr> <tr><td>4 PLC</td><td>±.0020</td></tr> <tr><td>ANGLES</td><td>±.2°</td></tr> </table>		9 PLC	±	1 PLC	±	2 PLC	±	3 PLC	±.005	4 PLC	±.0020	ANGLES	±.2°	PRODUCT SPEC	NAME	
9 PLC	±															
1 PLC	±															
2 PLC	±															
3 PLC	±.005															
4 PLC	±.0020															
ANGLES	±.2°															
MATERIAL		APPLICATION SPEC	RIGHT ANGLE PLUG ASSEMBLY WITH RAISED HEIGHT MULTI-BEAM XLE													
FINISH		WEIGHT	SIZE	CAGE CODE												
		CUSTOMER DRAWING	A100779	C=1892714												
		SCALE	SHEET	REV												
			2	B												

LOC	DIST	REVISIONS			
P	LTB	DESCRIPTION	DATE	DWN	APVD
ES	00	SEE SHEET 1	-	-	-



**MATING WITH VERTICAL RECEPTACLE (1-6450869-3)
 REFERENCE**

THIS DRAWING IS A CONTROLLED DOCUMENT.		DWN C. ZHOU CHK S. ZHAO	05MAR2010 05MAR2010	TE Connectivity	
DIMENSIONS: INCHES		TOLERANCES UNLESS OTHERWISE SPECIFIED: 9 PLC ± 7 PLC ± 5 PLC ±.005 4 PLC ±.0020 ANGLES ±2° FINISH		NAME PRODUCT SPEC APPLICATION SPEC SIZE CAGE CODE DRAWING NO RESTRICTED TO	
MATERIAL CUSTOMER DRAWING		WEIGHT SCALE		A100779C-1892714 IBM SHEET 3 OF 3 REV B	