

# ADT7490

## Remote Thermal Monitor and Fan Controller with PECI Interface

The ADT7490 is a thermal monitor and multiple PWM fan controller for noise-sensitive or power-sensitive applications requiring active system cooling. The ADT7490 includes a local temperature sensor, two remote temperature sensors including series resistance cancellation, and monitors CPU temperature with a PECI interface. The ADT7490 can drive a fan using either a low or high frequency drive signal, and measure and control the speed of up to four fans so they operate at the lowest possible speed for minimum acoustic noise.

The automatic fan speed control loop optimizes fan speed for a given temperature using the PECI, remote, or local temperature information. The effectiveness of the system's thermal solution can be monitored using the  $\overline{\text{THERM}}$  input. The ADT7490 also provides critical thermal protection to the system using the bidirectional  $\overline{\text{THERM/SMBALERT}}$  pin as an output to prevent system or component overheating.

### Features

- Temperature Measurement
  - ◆ 1 Local On-Chip Temperature Sensor
  - ◆ 2 Remote Temperature Sensors
  - ◆ 3 Current External Temperature Sensors with Series Resistance Cancellation (SRC)
  - ◆ PECI Interface for CPU Thermal Information and Support of Up to 4 PECI Inputs on 1 Pin
- Fan Drive and Fan Speed Control
  - ◆ 3 High Frequency or Low Frequency PWM Outputs for Use with 3-wire or 4-wire Fans
  - ◆ 4 TACH Inputs to Measure Fan Speed
  - ◆ OS Independent Automatic Fan Speed Control Based on Thermal Information
  - ◆ Dynamic  $T_{\text{MIN}}$  Control Mode to Optimize System Acoustics
  - ◆ Default Startup at 100% PWM for All Fans for Robust Operation
- Bidirectional  $\overline{\text{THERM/SMBALERT}}$  Pin to Flag Out-of-Limit and Overtemperature Conditions
- GPIO Functionality to Support Extra Features
  - ◆ Can be Used for Loadline Setting for Voltage Regulation, LED Control, or Other Functions
- $I_{\text{MON}}$  Monitoring for CPU Current and Power Information
- Footprint and Register Compatible with ADT7473/ADT7475/ADT7476/ADT7476A Family of Fan Controllers
- SMBus Interface with Addressing Capability for Up to 3 Devices

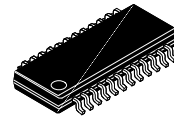
### Applications

- Personal Computers
- Servers



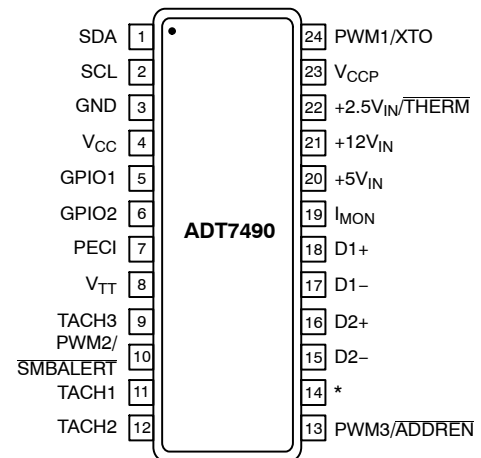
ON Semiconductor®

<http://onsemi.com>



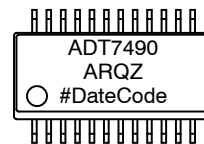
QSOP-24 NB  
CASE 492B

### PIN ASSIGNMENT

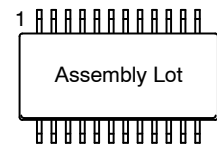


\*TACH4/ $\overline{\text{THERM}}$ /SMBALERT/ADDR SELECT

### MARKING DIAGRAMS



TOP MARKING



BOTTOM MARKING

# = Pb-Free Package

### ORDERING INFORMATION

See detailed ordering and shipping information in the package dimensions section on page 74 of this data sheet.

# ADT7490

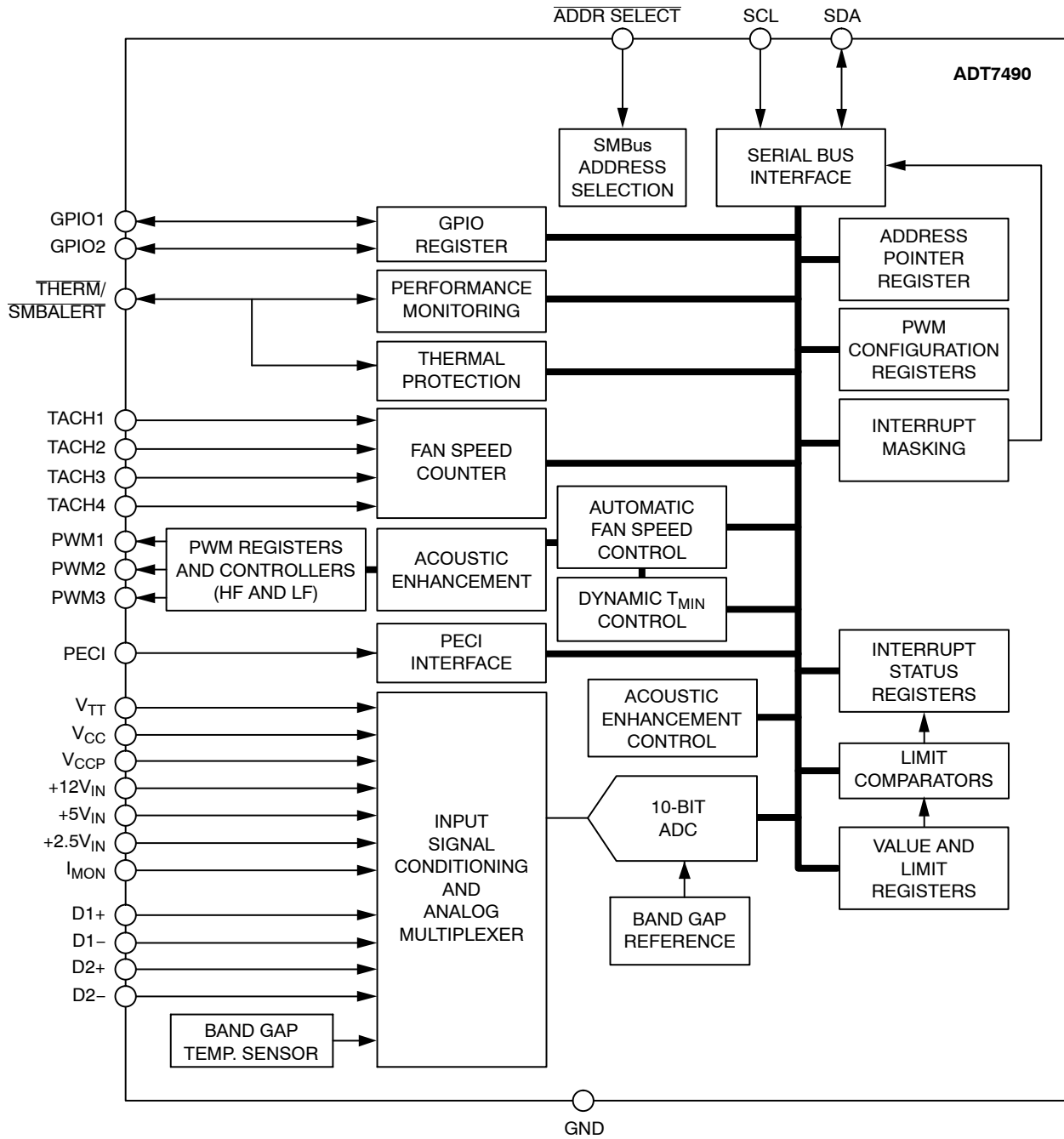


Figure 1. Functional Block Diagram

# ADT7490

**Table 1. ABSOLUTE MAXIMUM RATINGS**

| Parameter   | Rating            | Unit |
|---|-------------------|------|
| Positive Supply Voltage ( $V_{CC}$ )  | 3.6               | V    |
| Maximum Voltage on +12 $V_{IN}$ Pin   | 16                | V    |
| Maximum Voltage on +5 $V_{IN}$ Pin  | 6.25              | V    |
| Maximum Voltage on All Open-drain Outputs (excluding PWM pins)  | 3.6               | V    |
| Maximum Voltage on TACHx/PWMx Pins  | +5.5              | V    |
| Voltage on Remaining Input or Output Pins   | -0.3 to +4.2      | V    |
| Input Current at Any Pin  | ±5                | mA   |
| Package Input Current   | ±20               | mA   |
| Maximum Junction Temperature ( $T_{J\ MAX}$ )   | 150               | °C   |
| Storage Temperature Range   | -65 to +150       | °C   |
| Lead Temperature, Soldering<br>IR Reflow Peak Temperature<br>Pb-Free Peak Temperature<br>Lead Temperature (Soldering, 10 sec) | 220<br>260<br>300 | °C   |
| ESD Rating<br>HBM<br>FICDM  | 2<br>0.5          | kV   |

Stresses exceeding Maximum Ratings may damage the device. Maximum Ratings are stress ratings only. Functional operation above the Recommended Operating Conditions is not implied. Extended exposure to stresses above the Recommended Operating Conditions may affect device reliability.

NOTE: This device is ESD sensitive. Use standard ESD precautions when handling.

**Table 2. THERMAL CHARACTERISTICS** (Note 1)

| Package Type | $\theta_{JA}$ | $\theta_{JC}$ | Unit |
|--------------|---------------|---------------|------|
| 24-lead QSOP | 122           | 31.25         | °C/W |

1.  $\theta_{JA}$  is specified for the worst-case conditions, that is, a device soldered in a circuit board for surface-mount packages.

**Table 3. ELECTRICAL CHARACTERISTICS**

( $T_A = T_{MIN}$  to  $T_{MAX}$ ;  $V_{CC} = V_{MIN}$  to  $V_{MAX}$ , unless otherwise noted) (Note 1)

| Parameter                               | Conditions   | Min | Typ             | Max          | Unit |
|---|--|-----|-----------------|--------------|------|
| <b>Power Supply</b>                     |  |     |                 |              |      |
| Supply Voltage                          |  | 3.0 | 3.3             | 3.6          | V    |
| Supply Current, $I_{CC}$                | Interface Inactive, ADC Active   | -   | 1.5             | 5.0          | mA   |
| <b>Temperature-to-Digital Converter</b> |  |     |                 |              |      |
| Local Sensor Accuracy                   | $0^\circ\text{C} \leq T_A \leq 85^\circ\text{C}$<br>$-40^\circ\text{C} \leq T_A \leq +125^\circ\text{C}$ | -   | ±0.5<br>-       | ±1.5<br>±2.5 | °C   |
| Resolution                              |  | -   | 0.25            | -            |      |
| Remote Diode Sensor Accuracy            | $0^\circ\text{C} \leq T_A \leq 85^\circ\text{C}$<br>$-40^\circ\text{C} \leq T_A \leq +125^\circ\text{C}$ | -   | ±0.5<br>-       | ±1.5<br>±2.5 | °C   |
|   |  | -   | 0.25            | -            |      |
| Remote Sensor Source Current            | Mid Level<br>Low Level<br>High Level   | -   | 12<br>72<br>192 | -            | µA   |
| Series Resistance Cancellation (Note 2) | The ADT7490 Cancels Up to 2 kΩ in Series with the Remote Thermal Sensor                                  | -   | -               | 1.5          | kΩ   |

# ADT7490

**Table 3. ELECTRICAL CHARACTERISTICS** (continued)

( $T_A = T_{MIN}$  to  $T_{MAX}$ ,  $V_{CC} = V_{MIN}$  to  $V_{MAX}$ , unless otherwise noted) (Note 1)

| Parameter  | Conditions   | Min                              | Typ                           | Max                             | Unit          |
|--|--|----------------------------------|-------------------------------|---------------------------------|---------------|
| <b>Analog-to-Digital Converter (Including MUX and Attenuators)</b> |  |                                  |                               |                                 |               |
| Total Unadjusted Error (TUE)                                       | For All Channels: $-40^{\circ}\text{C} \leq T_A \leq +125^{\circ}\text{C}$<br>For All Other Channels Except +12 $V_{IN}$ :<br>$0^{\circ}\text{C} \leq T_A \leq +125^{\circ}\text{C}$ | –                                | –                             | $\pm 2$<br>$\pm 1.5$            | %             |
| Differential Non-linearity (DNL)                                   | 8 Bits   | –                                | –                             | $\pm 1$                         | LSB           |
| Power Supply Sensitivity   |  | –                                | $\pm 0.1$                     | –                               | %/V           |
| Conversion Times (Note 2)  | Averaging Enabled, All Channels<br>Excluding $V_{TT}$ (Note 3)   |                                  |                               |                                 | ms            |
| Voltage Inputs   | Averaging Enabled  | –                                | 11                            | 13                              |               |
| $V_{TT}$ Voltage Input (Note 3)                                    | Averaging Enabled  | –                                | 12                            | 14                              |               |
| Local Temperature  | Averaging Enabled  | –                                | 12                            | 14                              |               |
| Remote Temperature   | Averaging Enabled  | –                                | 38                            | 43                              |               |
| Total Monitoring Cycle Time  | Averaging disabled   | –                                | 169<br>19                     | 193<br>–                        | ms            |
| Input Resistance   | For +12 $V_{IN}$ Channel<br>For All Other Channels   | 150<br>70                        | 200<br>100                    | –<br>–                          | k $\Omega$    |
| <b>Fan RPM-to-Digital Converter</b>                                |  |                                  |                               |                                 |               |
| Accuracy   | $0^{\circ}\text{C} \leq T_A \leq 85^{\circ}\text{C}$<br>$-40^{\circ}\text{C} \leq T_A \leq +125^{\circ}\text{C}$   | –                                | –                             | $\pm 10$<br>$\pm 14$            | %             |
| Full-scale Count   |  | –                                | –                             | 65,535                          |               |
| Nominal Input RPM  | Fan Count = 0xBFFF<br>Fan Count = 0x3FFF<br>Fan Count = 0x0438<br>Fan Count = 0x021C   | –                                | 109<br>329<br>5,000<br>10,000 | –<br>–<br>–<br>–                | RPM           |
| <b>Open-Drain Digital Outputs, PWM1 TO PWM3, XTO</b>               |  |                                  |                               |                                 |               |
| Current Sink, $I_{OL}$   |  | –                                | –                             | 8.0                             | mA            |
| Output Low Voltage, $V_{OL}$                                       | $I_{OUT} = -8.0$ mA  | –                                | –                             | 0.4                             | V             |
| High Level Output Current, $I_{OH}$                                | $V_{OUT} = V_{CC}$   | –                                | 0.1                           | 20                              | $\mu\text{A}$ |
| <b>Open-Drain Serial Data Bus Output (SDA)</b>                     |  |                                  |                               |                                 |               |
| Output Low Voltage, $V_{OL}$                                       | $I_{OUT} = -4.0$ mA  | –                                | –                             | 0.4                             | V             |
| High Level Output Current, $I_{OH}$                                | $V_{OUT} = V_{CC}$   | –                                | 0.1                           | 1.0                             | $\mu\text{A}$ |
| <b>SMBus Digital Inputs (SCL, SDA)</b>                             |  |                                  |                               |                                 |               |
| Input High Voltage, $V_{IH}$                                       |  | 2.0                              | –                             | –                               | V             |
| Input Low Voltage, $V_{IL}$  |  | –                                | –                             | 0.8                             | V             |
| Hysteresis   |  | –                                | 500                           | –                               | mV            |
| <b>Digital I/O (PECI Pin) (Note 2)</b>                             |  |                                  |                               |                                 |               |
| $V_{TT}$ , Supply Voltage  |  | 0.95                             | –                             | 1.26                            | V             |
| Input High Voltage, $V_{IH}$                                       |  | $0.55 \times V_{TT}$<br>(Note 3) | –                             | –                               | V             |
| Input Low Voltage, $V_{IL}$  |  | –                                | –                             | $0.5 \times V_{TT}$<br>(Note 3) | V             |
| Hysteresis (Note 2)  | Hysteresis between Input Switching Levels  | $0.1 \times V_{TT}$<br>(Note 3)  | –                             | –                               | mV            |
| High Level Output Source Current, $I_{SOURCE}$                     | $V_{OH} = 0.75 \times V_{TT}$  | –                                | –                             | 6.0                             | mA            |
| Low Level Output Sink Current, $I_{SINK}$                          | $V_{OL} = 0.25 \times V_{TT}$  | 0.5                              | –                             | 1.0                             | mA            |
| Signal Noise Immunity, $V_{NOISE}$                                 | Noise Glitches from 10 MHz to 100 MHz, Width Up to 50 ns   | 300                              | –                             | –                               | mV p-p        |

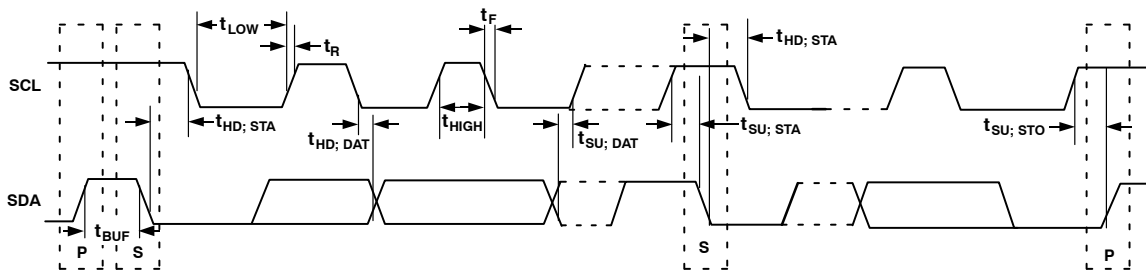
# ADT7490

**Table 3. ELECTRICAL CHARACTERISTICS** (continued)

( $T_A = T_{MIN}$  to  $T_{MAX}$ ,  $V_{CC} = V_{MIN}$  to  $V_{MAX}$ , unless otherwise noted) (Note 1)

| Parameter  | Conditions                 | Min                   | Typ     | Max      | Unit    |
|--|----------------------------|-----------------------|---------|----------|---------|
| <b>Digital Input Logic Levels (TACH1 to TACH3)</b> |                            |                       |         |          |         |
| Input High Voltage, $V_{IH}$                       | Maximum Input Voltage      | 2.0<br>–              | –<br>–  | –<br>5.5 | V       |
| Input Low Voltage, $V_{IL}$                        | Minimum Input Voltage      | –<br>–0.3             | –<br>–  | 0.8<br>– | V       |
| Hysteresis   |                            | –                     | 0.5     | –        | V p-p   |
| <b>Digital Input Logic Levels (THERM)</b>          |                            |                       |         |          |         |
| Input High Voltage, $V_{IH}$                       |                            | $0.75 \times V_{CCP}$ | –       | –        | V       |
| Input Low Voltage, $V_{IL}$                        |                            | –                     | –       | 0.4      | V       |
| <b>Digital Input Current</b>                       |                            |                       |         |          |         |
| Input High Current, $I_{IH}$                       | $V_{IN} = V_{CC}$          | –                     | $\pm 1$ | –        | $\mu A$ |
| Input Low Current, $I_{IL}$                        | $V_{IN} = 0$               | –                     | $\pm 1$ | –        | $\mu A$ |
| Input Capacitance, $C_{IN}$                        |                            | –                     | 5.0     | –        | pF      |
| <b>Serial Bus Timing (Note 2) (See Figure 2)</b>   |                            |                       |         |          |         |
| Clock Frequency, $f_{SCLK}$                        |                            | 10                    | –       | 400      | kHz     |
| Glitch Immunity, $t_{SW}$                          |                            | –                     | –       | 50       | ns      |
| Bus Free Time, $t_{BUF}$                           |                            | 4.7                   | –       | –        | $\mu s$ |
| SCL Low Time, $t_{LOW}$                            |                            | 4.7                   | –       | –        | $\mu s$ |
| SCL High Time, $t_{HIGH}$                          |                            | 4.0                   | –       | 50       | $\mu s$ |
| SCL, SDA Rise Time, $t_r$                          |                            | –                     | –       | 1,000    | ns      |
| SCL, SDA Fall Time, $t_f$                          |                            | –                     | –       | 300      | $\mu s$ |
| Data Setup Time, $t_{SU;DAT}$                      |                            | 250                   | –       | –        | ns      |
| Detect Clock Low Timeout, $t_{TIMEOUT}$            | Can be Optionally Disabled | 15                    | –       | 35       | ms      |

1. All voltages are measured with respect to GND, unless otherwise specified. Typical voltages are  $T_A = 25^\circ C$  and represent a parametric norm. Logic inputs accept input high voltages up to  $V_{MAX}$ , even when the device is operating down to  $V_{MIN}$ . Timing specifications are tested at logic levels of  $V_{IL} = 0.8$  V for a falling edge, and  $V_{IH} = 2.0$  V for a rising edge.
2. Guaranteed by design, not production tested.
3.  $V_{TT}$  is the voltage input on Pin 8. The  $V_{TT}$  voltage is determined by the processor installed on the system.



**Figure 2. Serial Bus Timing Diagram**

# ADT7490

**Table 4. PIN ASSIGNMENT**

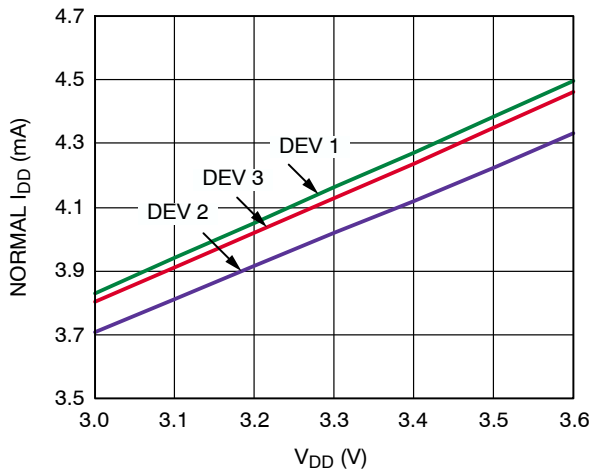
| Pin No. | Mnemonic                                 | Type                 | Description   |
|---------|--|----------------------|---|
| 1       | SDA                                      | Digital I/O          | SMBus Bidirectional Serial Data. Open drain, requires SMBus pullup.   |
| 2       | SCL                                      | Digital Input        | SMBus Serial Clock Input. Open drain, requires SMBus pullup.  |
| 3       | GND                                      | Ground               | Ground Pin.   |
| 4       | V <sub>CC</sub>                          | Power Supply         | 3.3 V ±10%.   |
| 5       | GPIO1                                    | Digital Input/Output | General-purpose Open-drain Digital Input/Output. Frequently used for switching load line resistors into VR load line circuitry or for switching LEDs using external FETs.   |
| 6       | GPIO2                                    | Digital Input/Output | General-purpose Open-drain Digital Input/Output. Frequently used for switching load line resistors into VR load line circuitry or for switching LEDs using external FETs.   |
| 7       | PECI                                     | Digital Input/Output | PECI Input to Report CPU Thermal Information. Peci voltage level is referenced on the V <sub>TT</sub> input.  |
| 8       | V <sub>TT</sub>                          | Analog Input         | Voltage Reference for Peci. This is the supply voltage for the Peci interface and must be present to measure temperature over the Peci interface. This voltage is also monitored and presented in Register 0x1E.  |
| 9       | TACH3                                    | Digital Input        | Fan Tachometer Input to Measure Speed of Fan 3 (Open-drain Digital Input).  |
| 10      | PWM2/SMBALERT                            | Digital Output       | Pulse-width Modulated Output to Control Fan 2 Speed. Open drain requires 10 kΩ typical pullup. Digital Output (Open Drain). This pin can be reconfigured as an SMBALERT interrupt output to signal out-of-limit conditions.   |
| 11      | TACH1                                    | Digital Input        | Fan Tachometer Input to Measure Speed Of Fan 1 (Open-drain Digital Input).  |
| 12      | TACH2                                    | Digital Input        | Fan Tachometer Input To Measure Speed Of Fan 2 (Open-drain Digital Input).  |
| 13      | PWM3/<br>ADDRN                           | Digital Output       | Pulse-width Modulated Output to Control Fan 3 Speed. Open drain requires 10 kΩ typical pullup. If pulled low on powerup, the ADT7490 enters address select mode, and the state of Pin 14 (ADDR SELECT) determines the ADT7490 slave address.  |
| 14      | TACH4/THERM/<br>SMBALERT/<br>ADDR SELECT | Digital Input/Output | Fan Tachometer Input to Measure Speed of Fan 4 (Open-drain Digital Input). May be reconfigured as a bidirectional THERM pin. Can be connected to the PROCHOT output of the processor, to time and monitor PROCHOT assertions. Can be used as an output to signal overtemperature conditions or for clock modulation purposes. Active Low Digital Output. The SMBALERT pin is used to signal out-of-limit comparisons of temperature, voltage, and fan speed. This is compatible with SMBus alert. Can also be used at device powerup to assign SMBus address. |
| 15      | D2-                                      | Analog Input         | Negative Connection for Remote Temperature Sensor 2.  |
| 16      | D2+                                      | Analog Input         | Positive Connection to Remote Temperature Sensor 2.   |
| 17      | D1-                                      | Analog Input         | Negative Connection for Remote Temperature Sensor 1.  |
| 18      | D1+                                      | Analog Input         | Positive Connection to Remote Temperature Sensor 1.   |
| 19      | I <sub>MON</sub>                         | Analog Input         | Monitors Current Output of Analog Devices ADP319x family of VRD10/VRD11 controllers.  |
| 20      | +5 V <sub>IN</sub>                       | Analog Input         | Monitors 5.0 V Supply Using Internal Resistor Dividers.   |
| 21      | +12 V <sub>IN</sub>                      | Analog Input         | Monitors 12 V Supply Using Internal Resistor Dividers.  |
| 22      | +2.5 V <sub>IN</sub> /THERM              | Analog Input         | Monitors 2.5 V Supply Using Internal Resistor Dividers. Alternatively, this pin can be reconfigured as a bidirectional THERM pin. Can be connected to the PROCHOT output of the processor to time and monitor PROCHOT assertions. Can be used as an output to signal overtemperature conditions or for clock modulation purposes.   |
| 23      | V <sub>CCP</sub>                         | Analog Input         | Monitors CPU V <sub>CC</sub> Voltage (to maximum of 3.0 V). All voltage inputs can have their resistor dividers removed allowing for full-scale input of 2.25 V of the ADC channel.   |
| 24      | PWM1/XTO                                 | Digital Output       | Pulse-width Modulated Output to Control Fan 1 Speed. Open drain requires 10 kΩ typical pullup. Also functions as the output for the XNOR tree test enable mode.   |

# ADT7490

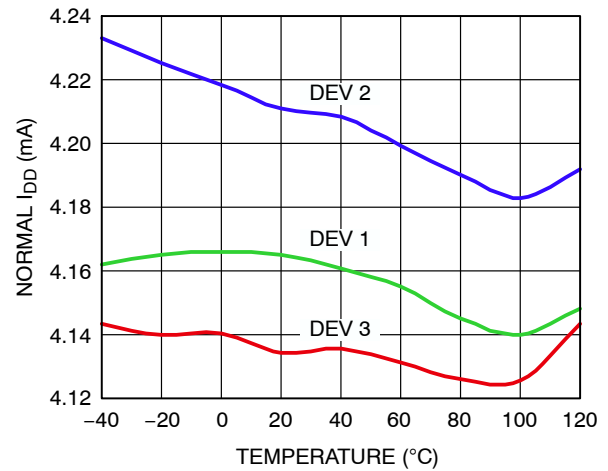
**Table 5. COMPARISON OF ADT7490 AND ADT7476A CONFIGURATIONS**

| Pin No. | ADT7490                          | ADT7476A                               |
|---------|----------------------------------|--|
| 1       | SDA                              | SDA                                    |
| 2       | SCL                              | SCL                                    |
| 3       | GND                              | GND                                    |
| 4       | V <sub>CC</sub>                  | V <sub>CC</sub>                        |
| 5       | GPIO1                            | VID0/GPIO0                             |
| 6       | GPIO2                            | VID1/GPIO1                             |
| 7       | PECI                             | VID2/GPIO2                             |
| 8       | V <sub>TT</sub>                  | VID3/GPIO3                             |
| 9       | TACH3                            | TACH3                                  |
| 10      | PWM2/SMBALERT                    | PWM2/SMBALERT                          |
| 11      | TACH1                            | TACH1                                  |
| 12      | TACH2                            | TACH2                                  |
| 13      | PWM3/ADDREN                      | PWM3/ADDREN                            |
| 14      | TACH4/THERM/SMBALERT/ADDR SELECT | TACH4/THERM/SMBALERT/GPIO6/ADDR SELECT |
| 15      | D2-                              | D2-                                    |
| 16      | D2+                              | D2+                                    |
| 17      | D1-                              | D1-                                    |
| 18      | D1+                              | D1+                                    |
| 19      | I <sub>MON</sub>                 | VID4/GPIO4                             |
| 20      | +5 V <sub>IN</sub>               | +5 V <sub>IN</sub>                     |
| 21      | +12 V <sub>IN</sub>              | +12 V <sub>IN</sub> /VID5              |
| 22      | +2.5 V <sub>IN</sub> / THERM     | +2.5 V <sub>IN</sub> / THERM           |
| 23      | V <sub>CCP</sub>                 | V <sub>CCP</sub>                       |
| 24      | PWM1/XTO                         | PWM1/XTO                               |

## TYPICAL PERFORMANCE CHARACTERISTICS



**Figure 3. Supply Current vs. Supply Voltage**



**Figure 4. Supply Current vs. Temperature**

TYPICAL PERFORMANCE CHARACTERISTICS (Cont'd)

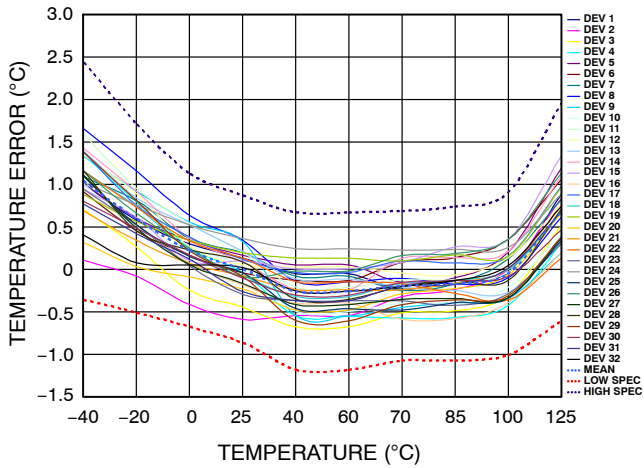


Figure 5. Local Temperature Sensor Error

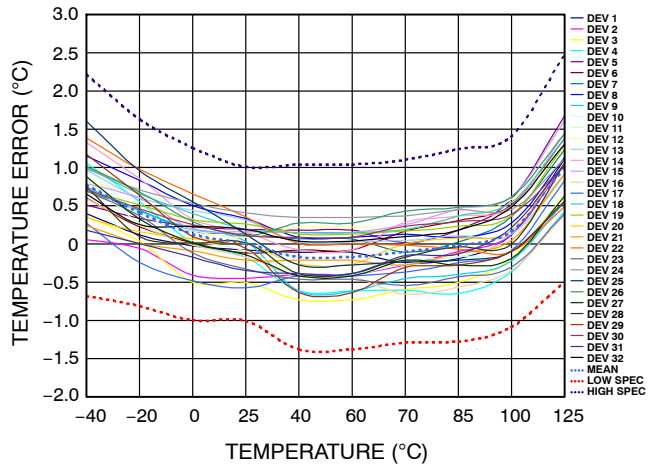


Figure 6. Remote 1 Temperature Sensor Error

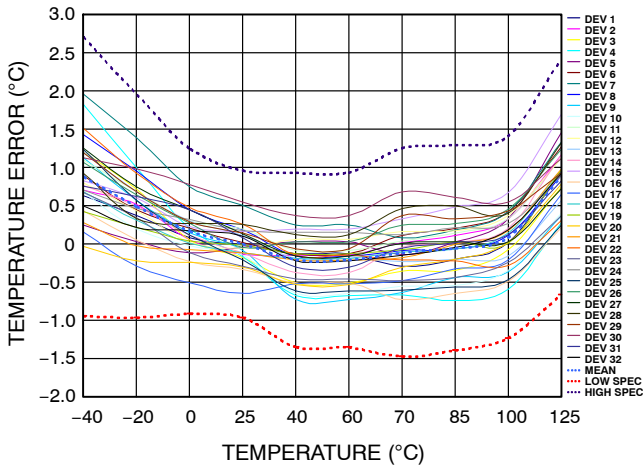


Figure 7. Remote 2 Temperature Sensor Error

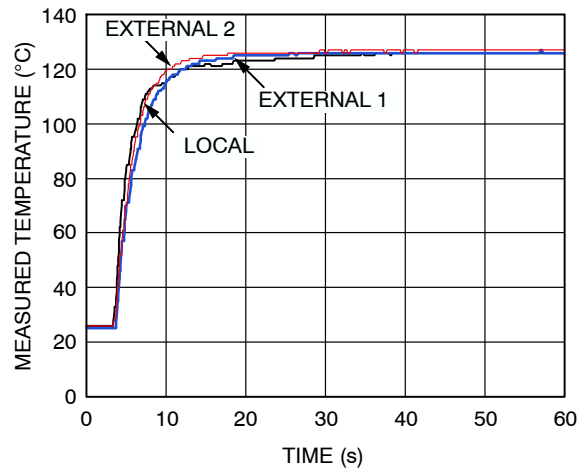


Figure 8. ADT7490 Response to Thermal Shock

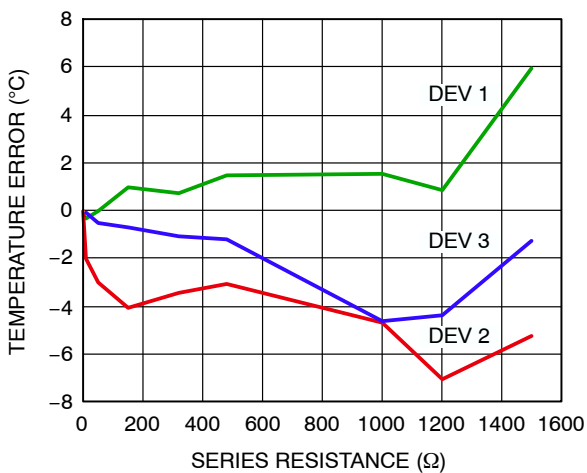


Figure 9. Temperature Error vs. Series Resistance

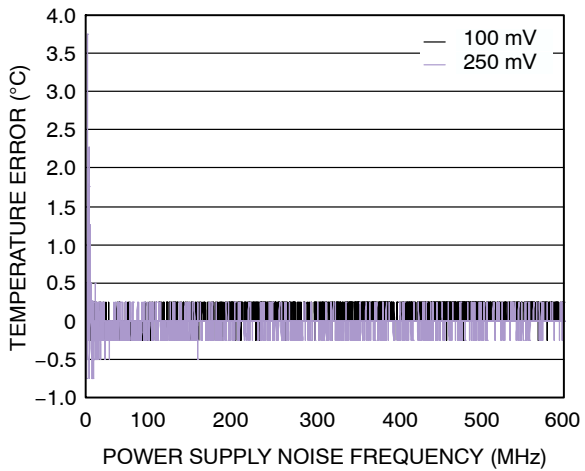


Figure 10. Local Temperature Error vs. Power Supply Noise Frequency



TYPICAL PERFORMANCE CHARACTERISTICS (Cont'd)

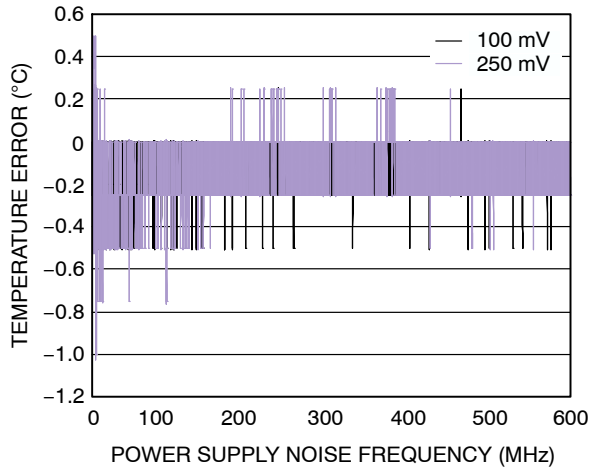


Figure 11. Remote Temperature Error vs. Power Supply Noise Frequency

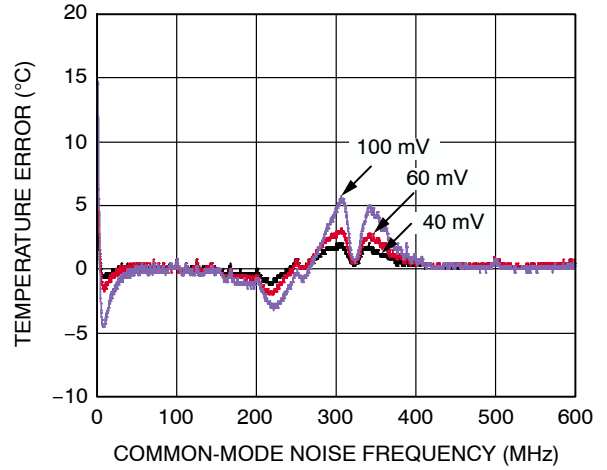


Figure 12. Temperature Error vs. Common-Mode Noise Frequency

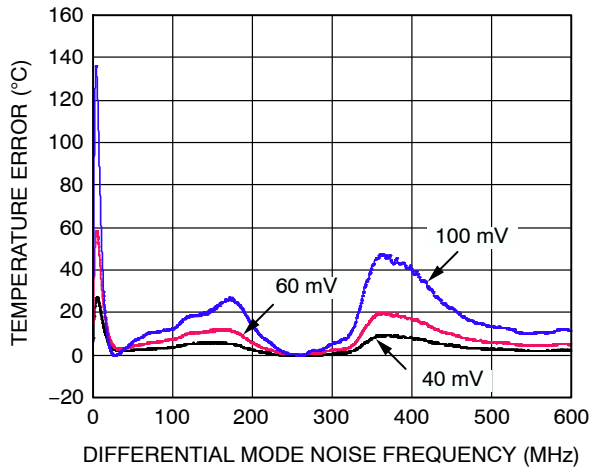


Figure 13. Temperature Error vs. Differential Mode Noise Frequency

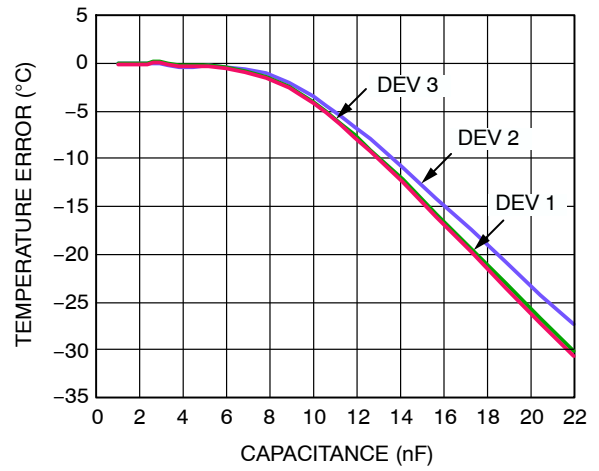


Figure 14. Temperature Error vs. Capacitance Between D+ and D-

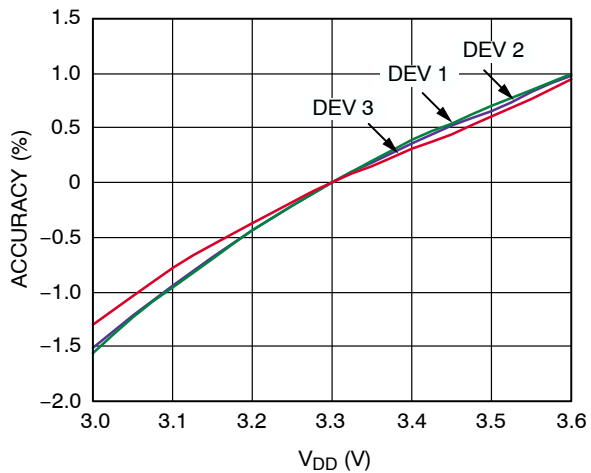


Figure 15. TACH Accuracy vs. Supply Voltage

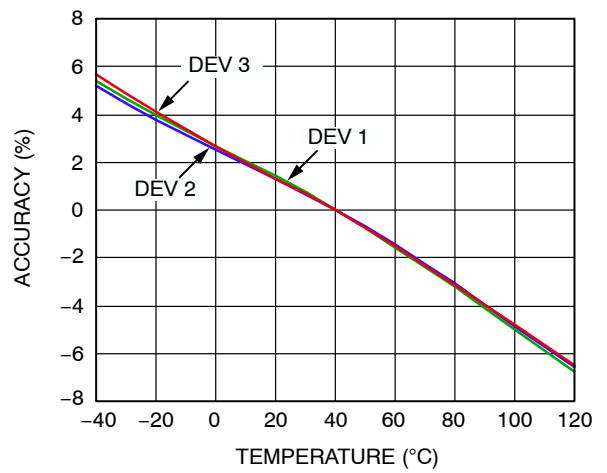


Figure 16. TACH Accuracy vs. Temperature

**Theory of Operation**

The ADT7490 is a complete thermal monitor and multiple fan controller for any system requiring thermal monitoring and cooling. The device communicates with the system via a serial system management bus. The serial bus controller has a serial data line for reading and writing addresses and data (Pin 1), and an input line for the serial clock (Pin 2). All control and programming functions for the ADT7490 are performed over the serial bus. In addition, Pin 14 can be reconfigured as an SMBALERT output to signal out-of-limit conditions.

**Feature Comparisons Between the ADT7490 and ADT7476A**

The ADT7490 is pin and register map compatible with the ADT7476A. The new or additional features are detailed in the following sections.

**PECI Input**

CPU thermal information is provided through the PECI input. The ADT7490 has PECI master capabilities and can read the CPU thermal information through the PECI interface. Each CPU address can have up to two PECI domains. The ADT7490 has the ability to record four PECI temperature readings corresponding to the four PECI addresses of 0x30 to 0x33. The hotter of the two domains at any given address is stored in the PECI value registers. A PECI reading is a negative value, in degrees Celsius, which represents the offset from the thermal control circuit ( $T_{CC}$ ) activation temperature. PECI information is not converted to absolute temperature reading. PECI information is in a 16-bit twos complement value; however, the ADT7490 records the sign bit as well as the bits from 12:6 in the 16-bit PECI payload. See the Platform Environment Control Interface (PECI) Specification from Intel® for more details on the PECI data format. The PECI format is represented in Table 6.

**Table 6. PECI DATA FORMAT**

| MSB Upper Nibble |   |   |   | MSB Lower Nibble             |   |   |   |
|------------------|---|---|---|------------------------------|---|---|---|
| S                | x | x | x | x                            | x | x | x |
| Sign Bit         |   |   |   | Integer Value (0°C to 127°C) |   |   |   |

There are associated high and low limits for each PECI reading that can be programmed. The limit values take the same format as the PECI reading. Therefore, the programmed limits are not absolute temperatures but a relative offset in degrees Celsius from the  $T_{CC}$  activation temperature. An out-of-limit event is recorded as follows:

- High Limit > Comparison Performed
- Low Limit ≤ Comparison Performed

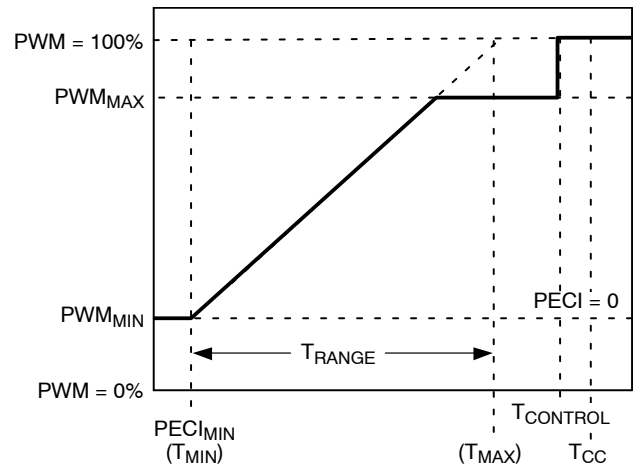
An out-of-limit event is recorded in the associated status register and can be used to assert the SMBALERT pin.

**Temperature Data REPLACE Mode**

The REPLACE mode is configured by setting Bit 4 of Register 0x36. In this mode, the data in the existing Remote 1 registers are replaced by PECI0 data and vice versa. This is a legacy mode that allows the thermal data from CPU1 to be stored in the same registers as in the ADT7476A. This reduces the software changes in systems transitioning from CPUs with thermal diodes to CPUs with a PECI interface. See the PECI Temperature Measurement section for more details.

**Fan Control Using PECI Information**

The CPU thermal information from PECI can be used in the existing automatic fan control algorithms. This temperature reading remains relative to  $T_{CC}$  activation temperature and the associated AFC control parameters are programmed in relative temperatures as opposed to absolute temperatures, and are in the same format as detailed in Table 6.  $PECI_{MIN}$ ,  $T_{RANGE}$ , and  $T_{CONTROL}$  are user defined.



**Figure 17. Overview of Automatic Fan Speed Control Using PECI Thermal Information**

**Dynamic  $T_{MIN}$  Fan Control Mode**

The automatic fan speed control incorporates a feature called dynamic  $T_{MIN}$  control. This intelligent fan control feature reduces the design effort required to program the automatic fan speed control loop and improves the system acoustics.

**$V_{TT}$  Input**

The  $V_{TT}$  voltage is monitored on Pin 8. This voltage is also used as the reference voltage for the PECI interface. The  $V_{TT}$  voltage must be connected to the ADT7490 in order for the PECI interface to be operational.

**$I_{MON}$  Monitoring**

The  $I_{MON}$  input on Pin 19 can be used to monitor the  $I_{MON}$  output of ON Semiconductor’s VR10/VR11.1 controllers.  $I_{MON}$  is a voltage representation of the CPU current. Using

the  $I_{MON}$  value and the measured  $V_{CCP}$  value on Pin 23, the CPU power consumption can be calculated. See the appropriate Analog Devices flex mode data sheet for calculations. The  $I_{MON}$  information can be considered as an early indication of an increase in CPU temperature.

**Startup Operation**

At startup, the ADT7490 turns the fans on to 100% PWM. This allows the most robust operation at turn-on.

**Serial Bus Interface**

Control of the ADT7490 is carried out using the serial system management bus (SMBus). The ADT7490 is connected to this bus as a slave device, under the control of a master controller. The ADT7490 has a 7-bit serial bus address. When the device is powered up with Pin 13 (PWM3/ADDREN) high, the ADT7490 has a default SMBus address of 0101110 or 0x2E. The read/write bit must be added to obtain the 8-bit address. If more than one ADT7490 is to be used in a system, each ADT7490 is placed in address select mode by strapping Pin 13 low on powerup. The logic state of Pin 14 then determines the device’s SMBus address. The logic of these pins is sampled on powerup.

The device address is monitored from powerup but not latched until the first valid SMBus transaction, more precisely on the low-to-high transition at the beginning of the eighth SCL pulse, when the serial bus address byte matches the selected slave address. The selected slave address is chosen using the ADDREN/ADDR SELECT pins. Any attempted changes in the address have no effect after this.

**Table 7. HARD-WIRING THE ADT7490 SMBus DEVICE ADDRESS**

| Pin 13 State | Pin 14 State        | Address        |
|--------------|---------------------|----------------|
| 0            | Low (10 kΩ to GND)  | 0101100 (0x2C) |
| 0            | High (10 kΩ Pullup) | 0101101 (0x2D) |
| 1            | Don't Care          | 0101110 (0x2E) |

Data is sent over the serial bus in sequences of nine clock pulses: eight bits of data followed by an acknowledge bit from the slave device. Transitions on the data line must occur during the low period of the clock signal and remain stable during the high period, because a low-to-high transition when the clock is high may be interpreted as a stop signal. The number of data bytes that can be transmitted over the serial bus in a single read or write operation is limited only by what the master and slave devices can handle.

When all data bytes have been read or written, stop conditions are established. In write mode, the master pulls the data line high during the 10th clock pulse to assert a stop condition. In read mode, the master device overrides the acknowledge bit by pulling the data line high during the low period before the ninth clock pulse; this is known as no acknowledge. The master takes the data line low during the low period before the 10th clock pulse, and then high during the 10th clock pulse to assert a stop condition.

Any number of bytes of data can be transferred over the serial bus in one operation, but it is not possible to mix read and write in one operation because the type of operation is determined at the beginning and cannot subsequently be changed without starting a new operation.

In the ADT7490, write operations contain either one or two bytes, and read operations contain one byte. To write data to one of the device data registers or read data from it, the address pointer register must be set so that the correct data register is addressed. Then data can be written into that register or read from it. The first byte of a write operation always contains an address that is stored in the address pointer register. If data is to be written to the device, the write operation must contain a second data byte that is written to the register selected by the address pointer register.

This write operation is shown in Figure 18. The device address is sent over the bus, and then  $R/\overline{W}$  is set to 0. This is followed by two data bytes. The first data byte is the address of the internal data register to be written to, which is stored in the address pointer register. The second data byte is the data to be written to the internal data register.

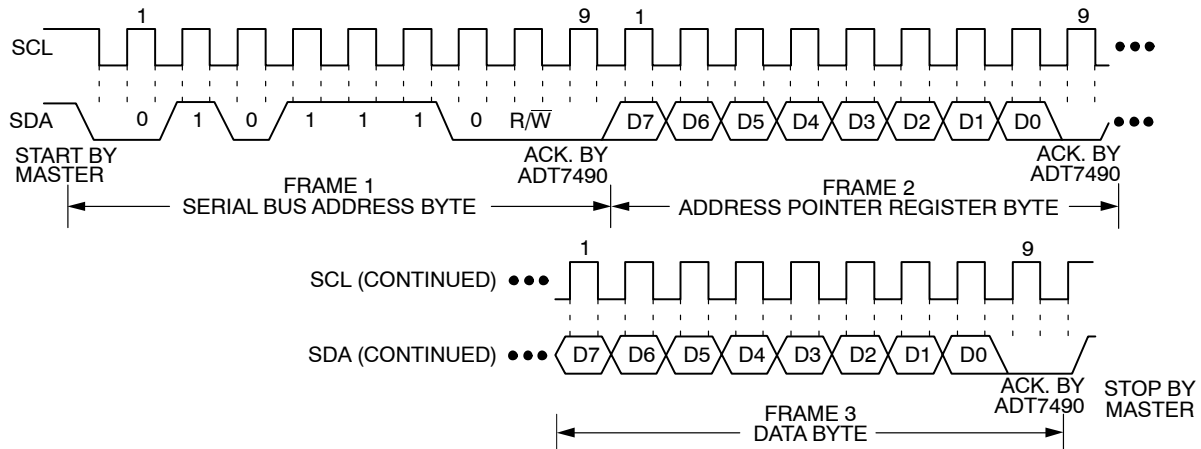
When reading data from a register, there are two possibilities:

1. If the ADT7490 address pointer register value is unknown or not the desired value, it must first be set to the correct value before data can be read from the desired data register. This is done by performing a write to the ADT7490 as before, but only the data byte containing the register address is sent because no data is written to the register. This is shown in Figure 19.

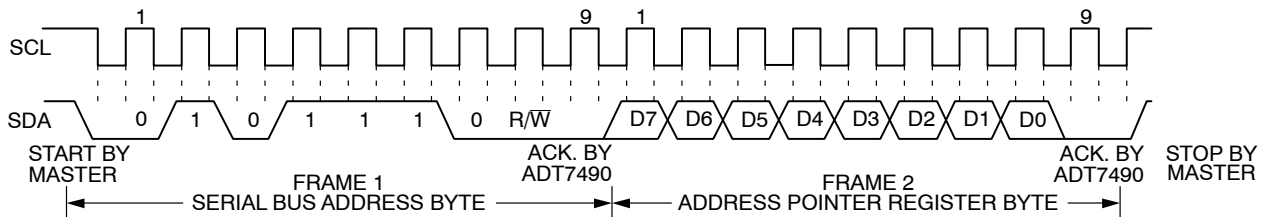
A read operation is then performed consisting of the serial bus address,  $R/\overline{W}$  bit set to 1, followed by the data byte read from the data register. This is shown in Figure 20.

2. If the address pointer register is known to be already at the desired address, data can be read from the corresponding data register without first writing to the address pointer register, as shown in Figure 20.

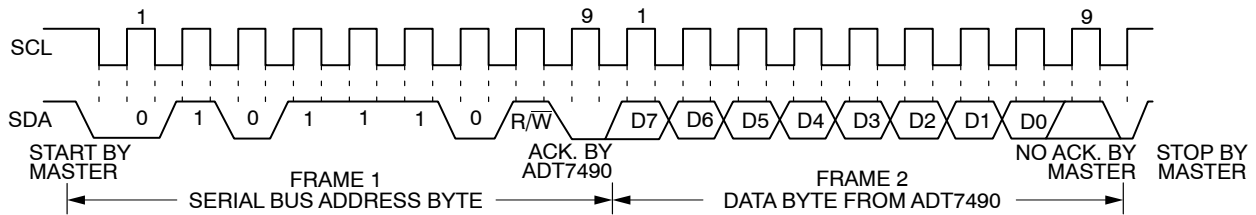
## ADT7490



**Figure 18. Writing a Register Address to the Address Pointer Register, then Writing Data to the Selected Register**



**Figure 19. Writing to the Address Pointer Register Only**



**Figure 20. Reading Data from a Previously Selected Register**

It is possible to read a data byte from a data register without first writing to the address pointer register if the address pointer register is already at the correct value. However, it is not possible to write data to a register without writing to the address pointer register because the first data byte of a write is always written to the address pointer register.

In addition to supporting the send byte and receive byte protocols, the ADT7490 also supports the read byte protocol (see System Management Bus Specifications Rev. 2 for more information; this document is available from the SMBus organization).

If several read or write operations must be performed in succession, the master can send a repeat start condition instead of a stop condition to begin a new operation.

### Write Operations

The SMBus specification defines several protocols for different types of read and write operations. The ones used in the ADT7490 are discussed here. The following abbreviations are used in the diagrams:

- S: Start
- P: Stop
- R: Read
- $\bar{W}$ : Write
- A: Acknowledge
- $\bar{A}$ : No acknowledge

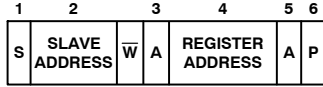
The ADT7490 uses the following SMBus write protocols.

### Send Byte

In this operation, the master device sends a single command byte to a slave device, as follows:

1. The master device asserts a start condition on SDA.
2. The master sends the 7-bit slave address followed by the write bit (low).
3. The addressed slave device asserts ACK on SDA.
4. The master sends a command code.
5. The slave asserts ACK on SDA.
6. The master asserts a stop condition on SDA and the transaction ends.

For the ADT7490, the send byte protocol is used to write a register address to RAM for a subsequent single-byte read from the same address. This operation is illustrated in Figure 21.



**Figure 21. Setting a Register Address for Subsequent Read**

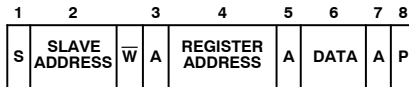
If the master is required to read data from the register immediately after setting up the address, it can assert a repeat start condition immediately after the final ACK and carry out a single-byte read without asserting an intermediate stop condition.

### Write Byte

In this operation, the master device sends a command byte and one data byte to the slave device, as follows:

1. The master device asserts a start condition on SDA.
2. The master sends the 7-bit slave address followed by the write bit (low).
3. The addressed slave device asserts ACK on SDA.
4. The master sends a command code.
5. The slave asserts ACK on SDA.
6. The master sends a data byte.
7. The slave asserts ACK on SDA.
8. The master asserts a stop condition on SDA, and the transaction ends.

The byte write operation is illustrated in Figure 22.



**Figure 22. Single-byte Write to a Register**

### Read Operations

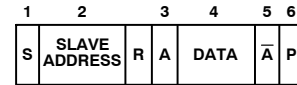
The ADT7490 uses the following SMBus read protocols.

#### Receive Byte

This operation is useful when repeatedly reading a single register. The register address must be previously set up. In this operation, the master device receives a single byte from a slave device, as follows:

1. The master device asserts a start condition on SDA.
2. The master sends the 7-bit slave address followed by the read bit (high).
3. The addressed slave device asserts ACK on SDA.
4. The master receives a data byte.
5. The master asserts NO ACK on SDA.
6. The master asserts a stop condition on SDA, and the transaction ends.

In the ADT7490, the receive byte protocol is used to read a single byte of data from a register whose address has previously been set by a send byte or write byte operation. This operation is illustrated in Figure 23.



**Figure 23. Single-byte Read from a Register**

### Alert Response Address

Alert response address (ARA) is a feature of SMBus devices that allows an interrupting device to identify itself to the host when multiple devices exist on the same bus.

The  $\overline{\text{SMBALERT}}$  output can be used as either an interrupt output or an  $\overline{\text{SMBALERT}}$ . One or more outputs can be connected to a common  $\overline{\text{SMBALERT}}$  line connected to the master. If a device's  $\overline{\text{SMBALERT}}$  line goes low, the following events occur:

1.  $\overline{\text{SMBALERT}}$  is pulled low.
2. The master initiates a read operation and sends the alert response address (ARA = 0001 100). This is a general call address that must not be used as a specific device address.
3. The device whose  $\overline{\text{SMBALERT}}$  output is low responds to the alert response address, and the master reads its device address. The address of the device is now known and can be interrogated in the usual way.
4. If more than one device's  $\overline{\text{SMBALERT}}$  output is low, the one with the lowest device address has priority in accordance with normal SMBus arbitration.
5. Once the ADT7490 has responded to the alert response address, the master must read the status registers, and the  $\overline{\text{SMBALERT}}$  is cleared only if the error condition is gone.

### SMBus Timeout

The ADT7490 includes an SMBus timeout feature. If there is no SMBus activity for 35 ms, the ADT7490 assumes the bus is locked and releases the bus. This prevents the device from locking or holding the SMBus expecting data. Some SMBus controllers cannot work with the SMBus timeout feature, so it can be disabled.

### Configuration Register 7 (Register 0x11)

Bit 4 (TODIS) = 0, SMBus Timeout Enabled (Default)

Bit 4 (TODIS) = 1, SMBus Timeout Disabled

### Voltage Measurement Input

The ADT7490 has six external voltage measurement channels. It can also measure its own supply voltage,  $V_{CC}$ .

Pin 20 to Pin 23 can measure 5.0 V, 12 V, and 2.5 V supplies, and the processor core voltage  $V_{CCP}$  (0 V to 3.0 V input). The 2.5 V input can be used to monitor a chipset supply voltage in computer systems. The  $V_{CC}$  supply voltage measurement is carried out through the  $V_{CC}$  pin (Pin 4). Pin 8 measures the  $V_{TT}$  voltage of the processor and is the dedicated reference voltage for the PECL circuitry. The  $I_{MON}$  input on Pin 19 can be used to monitor the  $I_{MON}$

output of ON Semiconductor’s VR11.1 controllers.  $I_{MON}$  is a voltage representation of the CPU current.

**Analog-to-Digital Converter**

All analog inputs are multiplexed into the on-chip, successive approximation, analog-to-digital converter. This ADC has a resolution of 10 bits. The basic input range is 0 V to 2.25 V, but the inputs have built-in attenuators to allow measurement of 2.5 V, 3.3 V, 5.0 V, 12 V, and the processor core voltage  $V_{CCP}$  without any external components. To allow the tolerance of these supply voltages, the ADC produces an output of 3/4 full scale (768 decimal or 0x300 hexadecimal) for the nominal input voltage, and therefore, has adequate headroom to cope with overvoltages.

**Input Circuitry**

The internal structure for the analog inputs is shown in Figure 24. The input circuit consists of an input protection diode, an attenuator, plus a capacitor to form a first-order low-pass filter that gives input immunity to high frequency noise.

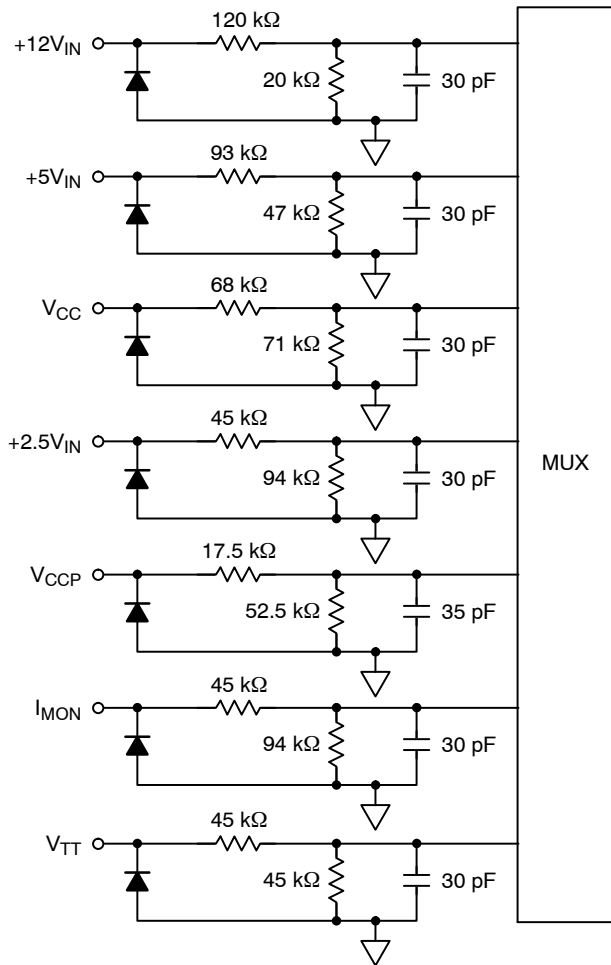


Figure 24. Analog Inputs Structure

Table 8. VOLTAGE MEASUREMENT REGISTERS

| Register | Description           | Default |
|----------|-----------------------|---------|
| 0x1D     | $I_{MON}$ Reading     | 0x00    |
| 0x1E     | $V_{TT}$ Reading      | 0x00    |
| 0x20     | +2.5 $V_{IN}$ Reading | 0x00    |
| 0x21     | $V_{CCP}$ Reading     | 0x00    |
| 0x22     | $V_{CC}$ Reading      | 0x00    |
| 0x23     | +5 $V_{IN}$ Reading   | 0x00    |
| 0x24     | +12 $V_{IN}$ Reading  | 0x00    |

**Voltage Limit Registers**

Associated with each voltage measurement channel is a high and low limit register. Exceeding the programmed high or low limit causes the appropriate status bit to be set. Exceeding either limit can also generate  $SMBALERT$  interrupts.

Table 9. VOLTAGE LIMIT REGISTERS

| Register | Description              | Default |
|----------|--------------------------|---------|
| 0x85     | $I_{MON}$ Low Limit      | 0x00    |
| 0x87     | $I_{MON}$ High Limit     | 0xFF    |
| 0x84     | $V_{TT}$ Low Limit       | 0x00    |
| 0x86     | $V_{TT}$ High Limit      | 0xFF    |
| 0x44     | +2.5 $V_{IN}$ Low Limit  | 0x00    |
| 0x45     | +2.5 $V_{IN}$ High Limit | 0xFF    |
| 0x46     | $V_{CCP}$ Low Limit      | 0x00    |
| 0x47     | $V_{CCP}$ High Limit     | 0xFF    |
| 0x48     | $V_{CC}$ Low Limit       | 0x00    |
| 0x49     | $V_{CC}$ High Limit      | 0xFF    |
| 0x4A     | +5.0 $V_{IN}$ Low Limit  | 0x00    |
| 0x4B     | +5.0 $V_{IN}$ High Limit | 0xFF    |
| 0x4C     | +12 $V_{IN}$ Low Limit   | 0x00    |
| 0x4D     | +12 $V_{IN}$ High Limit  | 0xFF    |

When the ADC is running, it samples and converts a voltage input in 0.7 ms and averages 16 conversions to reduce noise; a measurement takes nominally 11 ms.

**Extended Resolution Registers**

Voltage measurements can be made with higher accuracy using the extended resolution registers (0x1F, 0x76, and 0x77). Whenever the extended resolution registers are read, the corresponding data in the voltage measurement registers (0x1D, 0x1E, and 0x20 to 0x24) is locked until their data is read. That is, if extended resolution is required, the extended resolution register must be read first, immediately followed by the appropriate voltage measurement register.

### Additional ADC Functions for Voltage Measurements

A number of other functions are available on the ADT7490 to offer the system designer increased flexibility. The functions described in the following sections are enabled by setting the appropriate bit in Configuration Register 2.

#### Configuration Register 2 (Register 0x73)

Bit 4 (AVG) = 1, Averaging Off.

Bit 5 (ATTN) = 1, Bypass Input Attenuators.

Bit 6 (CONV) = 1, Single-channel Convert Mode.

#### Turn-off Averaging

For each voltage/temperature measurement read from a value register, 16 readings have actually been made internally and the results averaged before being placed into the value register. When faster conversions are needed, setting Bit 4 (AVG) of Configuration Register 2 (0x73) turns averaging off. This effectively gives a reading that is 16 times faster, but the reading can be noisier. The default round-robin cycle time takes 146.5 ms.

**Table 10. CONVERSION TIME WITH AVERAGING DISABLED**

| Channel              | Measurement Time (ms) |
|----------------------|-----------------------|
| Voltage Channels     | 0.7                   |
| Remote Temperature 1 | 7                     |
| Remote Temperature 2 | 7                     |
| Local Temperature    | 1.3                   |

When Bit 7 (ExtraSlow) of Configuration Register 6 (0x10) is set, the default round-robin cycle time increases to 240 ms.

#### Bypass All Voltage Input Attenuators

Setting Bit 5 of Configuration Register 2 (0x73) removes the attenuation circuitry from the  $2.5 V_{IN}$ ,  $V_{CCB}$ ,  $V_{CC}$ ,  $5 V_{IN}$ , and  $12 V_{IN}$  inputs. This allows the user to directly connect external sensors or rescale the analog voltage measurement inputs for other applications. The input range of the ADC without the attenuators is 0 V to 2.25 V.

#### Bypass Individual Voltage Input Attenuators

Bits [7:4] of Configuration Register 4 (0x7D) can be used to bypass individual voltage channel attenuators.

**Table 11. BYPASSING INDIVIDUAL VOLTAGE INPUT ATTENUATORS**

| Configuration Register 4 (0x7D) |                                 |
|---------------------------------|---------------------------------|
| Bit No.                         | Channel Attenuated              |
| [4]                             | Bypass $+2.5 V_{IN}$ Attenuator |
| [5]                             | Bypass $V_{CCP}$ Attenuator     |
| [6]                             | Bypass $+5 V_{IN}$ Attenuator   |
| [7]                             | Bypass $+12 V_{IN}$ Attenuator  |

#### Single-channel ADC Conversion

While single-channel mode is intended as a test mode that can be used to increase sampling times for a specific channel, therefore helping to analyze that channel's performance in greater detail, it can also have other applications.

Setting Bit 6 of Configuration Register 2 (0x73) places the ADT7490 into single-channel ADC conversion mode. In this mode, the ADT7490 can read a single voltage channel only. The selected voltage input is read every 0.7 ms. The appropriate ADC channel is selected by writing to Bits [7:4] of the TACH1 minimum high byte register (0x55).

**Table 12. PROGRAMMING SINGLE-CHANNEL ADC MODE**

| Bits [7:4], Register 0x55 | Channel Selected (Note 1) |
|---------------------------|---------------------------|
| 0000                      | $+2.5 V_{IN}$             |
| 0001                      | $V_{CCP}$                 |
| 0010                      | $V_{CC}$                  |
| 0011                      | $+5 V_{IN}$               |
| 0100                      | $+12 V_{IN}$              |
| 0101                      | Remote 1 Temperature      |
| 0110                      | Local Temperature         |
| 0111                      | Remote 2 Temperature      |
| 1000                      | $V_{TT}$                  |
| 1001                      | $I_{MON}$                 |

1. In the process of configuring single-channel ADC conversion mode, the TACH1 minimum high byte is also changed, possibly trading off TACH1 minimum high byte functionality with single-channel mode functionality.

# ADT7490

**Table 13. 10-BIT ADC OUTPUT CODE VS.  $V_{IN}$**

| Input Voltage      |                  |                          |                  |                  |                    | ADC Output         |                  |
|--------------------|------------------|--------------------------|------------------|------------------|--------------------|--------------------|------------------|
| +12 $V_{IN}$       | +5 $V_{IN}$      | $V_{CC}$ (3.3 $V_{IN}$ ) | +2.5 $V_{IN}$    | $V_{CCP}$        | $V_{TT}/I_{MON}$   | Decimal            | Binary (10 Bits) |
| <0.0156            | <0.0065          | <0.0042                  | <0.0032          | <0.00293         | <0.00220           | 0                  | 00000000 00      |
| 0.0156 to 0.0312   | 0.0065 to 0.0130 | 0.0042 to 0.0085         | 0.0032 to 0.0065 | 0.0293 to 0.0058 | 0.00220 to 0.00440 | 1                  | 00000000 01      |
| 0.0312 to 0.0469   | 0.0130 to 0.0195 | 0.0085 to 0.0128         | 0.0065 to 0.0097 | 0.0058 to 0.0087 | 0.00440 to 0.00660 | 2                  | 00000000 10      |
| 0.0469 to 0.0625   | 0.0195 to 0.0260 | 0.0128 to 0.0171         | 0.0097 to 0.0130 | 0.0087 to 0.0117 | 0.00660 to 0.00881 | 3                  | 00000000 11      |
| 0.0625 to 0.0781   | 0.0260 to 0.0325 | 0.0171 to 0.0214         | 0.0130 to 0.0162 | 0.0117 to 0.0146 | 0.00881 to 0.01100 | 4                  | 00000001 00      |
| 0.0781 to 0.0937   | 0.0325 to 0.0390 | 0.0214 to 0.0257         | 0.0162 to 0.0195 | 0.0146 to 0.0175 | 0.01100 to 0.01320 | 5                  | 00000001 01      |
| 0.0937 to 0.1093   | 0.0390 to 0.0455 | 0.0257 to 0.0300         | 0.0195 to 0.0227 | 0.0175 to 0.0205 | 0.01320 to 0.01541 | 6                  | 00000001 10      |
| 0.1093 to 0.1250   | 0.0455 to 0.0521 | 0.0300 to 0.0343         | 0.0227 to 0.0260 | 0.0205 to 0.0234 | 0.01541 to 0.01761 | 7                  | 00000001 11      |
| 0.1250 to 0.14060  | 0.0521 to 0.0586 | 0.0343 to 0.0386         | 0.0260 to 0.0292 | 0.0234 to 0.0263 | 0.01761 to 0.01981 | 8                  | 00000010 00      |
| –                  | –                | –                        | –                | –                | –                  | –                  | –                |
| 4.0000 to 4.0156   | 1.6675 to 1.6740 | 1.1000 to 1.1042         | 0.8325 to 0.8357 | 0.7500 to 0.7529 | 0.5636 to 0.5658   | 256<br>(1/4 scale) | 01000000 00      |
| –                  | –                | –                        | –                | –                | –                  | –                  | –                |
| 8.0000 to 8.0156   | 3.3300 to 3.3415 | 2.2000–2.204<br>2        | 1.6650 to 1.6682 | 1.5000 to 1.5029 | 1.1272 to 1.1294   | 512<br>(1/2 scale) | 10000000 00      |
| –                  | –                | –                        | –                | –                | –                  | –                  | –                |
| 12.0000 to 12.0156 | 5.0025 to 5.0090 | 3.3000 to 3.3042         | 2.4975 to 2.5007 | 2.2500 to 2.2529 | 1.6809 to 1.6930   | 768<br>(3/4 scale) | 11000000 00      |
| –                  | –                | –                        | –                | –                | –                  | –                  | –                |
| 15.8281 to 15.8437 | 6.5983 to 6.6048 | 4.3527 to 4.3570         | 3.2942 to 3.2974 | 2.9677 to 2.9707 | 2.2301 to 2.2323   | 1013               | 11111101 01      |
| 15.8437 to 15.8593 | 6.6048 to 6.6113 | 4.3570 to 4.3613         | 3.2974 to 3.3007 | 2.9707 to 2.9736 | 2.2323 to 2.2346   | 1014               | 11111101 10      |
| 15.8593 to 15.8750 | 6.6113 to 6.6178 | 4.3613 to 4.3656         | 3.3007 to 3.3039 | 2.9736 to 2.9765 | 2.2346 to 2.2368   | 1015               | 11111101 11      |
| 15.8750 to 15.8906 | 6.6178 to 6.6244 | 4.3656 to 4.3699         | 3.3039 to 3.3072 | 2.9765 to 2.9794 | 2.2368 to 2.23899  | 1016               | 11111110 00      |
| 15.8906 to 15.9062 | 6.6244 to 6.6309 | 4.3699 to 4.3742         | 3.3072 to 3.3104 | 2.9794 to 2.9824 | 2.23899 to 2.2412  | 1017               | 11111110 01      |
| 15.9062 to 15.9218 | 6.6309 to 6.6374 | 4.3742 to 4.3785         | 3.3104 to 3.3137 | 2.9824 to 2.9853 | 2.2412 to 2.2434   | 1018               | 11111110 10      |
| 15.9218 to 15.9375 | 6.6374 to 6.6390 | 4.3785 to 4.3828         | 3.3137 to 3.3169 | 2.9853 to 2.9882 | 2.2434 to 2.2456   | 1019               | 11111110 11      |
| 15.9375 to 15.9531 | 6.6439 to 6.6504 | 4.3828 to 4.3871         | 3.3169 to 3.3202 | 2.9882 to 2.9912 | 2.2456 to 2.2478   | 1020               | 11111111 00      |
| 15.9531 to 15.9687 | 6.6504 to 6.6569 | 4.3871 to 4.3914         | 3.3202 to 3.3234 | 2.9912 to 2.9941 | 2.2478 to 2.25     | 1021               | 11111111 01      |
| 15.9687 to 15.9843 | 6.6569 to 6.6634 | 4.3914 to 4.3957         | 3.3234 to 3.3267 | 2.9941 to 2.9970 | 2.25 to 2.2522     | 1022               | 11111111 10      |
| >15.9843           | >6.6634          | >4.3957                  | >3.3267          | >2.9970          | >2.2522            | 1023               | 11111111 11      |



### Temperature Measurement

The ADT7490 has four temperature measurement channels: one local, two remote thermal diodes, and a PECE. The local and thermal diode readings are analog temperature measurements, whereas PECE is a digital temperature reading.

### PECE Temperature Measurement

The PECE interface is a dedicated thermal interface. The CPU temperature measurement is carried out internally in the CPU. This information is digitized and transferred to the ADT7490 via the PECE interface. The ADT7490 is a PECE host device and therefore, polls the CPU for thermal information.

The PECE measurement differs from traditional thermal diode temperature measurements in that the measurement is a relative value instead of an absolute value. The PECE reading is a negative value that indicates how close the CPU temperature is from the thermal throttling or  $T_{CC}$  point of the CPU.

The ADT7490 records and uses the PECE measurement for fan control in its relative format. Therefore, care must be taken in programming the relevant limits and fan control parameters in the PECE format. Refer to the PECE Input section and Table 6 for further PECE information.

PECE monitoring is enabled on the ADT7490 by setting the PECE monitoring bit in Configuration Register 1 (Register 0x40, Bit 4). The ADT7490 can measure the temperature of up to four dual-core CPUs. The number of CPUs in the system that provide PECE information is set in Bits [7:6] of Register 0x88. Each CPU is distinguished by the PECE address. The number of domains, or domain count, per CPU address must also be programmed into the ADT7490. The ADT7490 reads the temperature of both domains per CPU, however, only the PECE value of the hottest domain is recorded in the PECE value register.

PECE0 domains: Register 0x36, Bit 3

PECE1 domains: Register 0x88, Bit 5

PECE2 domains: Register 0x88, Bit 4

PECE3 domains: Register 0x88, Bit 3

### PECE Reading Registers

Register 0x33, PECE0: PECE Reading from CPU Address 0x30

Register 0x1A, PECE1: PECE Reading from CPU Address 0x31

Register 0x1B, PECE2: PECE Reading from CPU Address 0x32

Register 0x1C, PECE3: PECE Reading from CPU Address 0x33

### PECE Limit Registers

Each PECE measurement shares the same high and low limits.

Register 0x34, PECE Low Limit = 0x81 Default

Register 0x35, PECE High Limit = 0x00 Default

### PECE Offset Registers

Each PECE reading has a dedicated offset register to calibrate the PECE measurement and account for errors in the temperature reading. The LSBs add a 1°C offset to the temperature reading so that the 8-bit register effectively allows temperature offsets of up to  $\pm 128^\circ\text{C}$  with a resolution of 1°C.

Register 0x94, PECE0 Offset

Register 0x95, PECE1 Offset

Register 0x96, PECE2 Offset

Register 0x97, PECE3 Offset

### PECE Data Smoothing

The PECE smoothing interval is programmed in PECE Configuration Register 1 (0x36). Bits [2:0] of Register 0x36 set the duration over which the PECE data being read by the ADT7490 is averaged. These bits set the duration over which smoothing is carried out on the PECE data read. The refresh rate in the PECE value registers is the same as the smoothing interval programmed.

The smoothing interval is calculated using the following formula:

$$\text{Smoothing Interval} = \#reads \times (t_{BIT} \times 67 \times \#CPU + t_{IDLE}) \quad (\text{eq. 1})$$

where:

*#reads* is the number of readings defined in Register 0x36, Bits [2:0]

$t_{BIT}$  is the negotiated bit rate.

67 is the number of bits in each PECE reading.

*#CPU* is the number of CPUs providing PECE data (1 to 4).

$t_{IDLE}$  = 14  $\mu\text{s}$ , the delay between consecutive reads.

For example,

*#reads* = 4096

$t_{BIT}$  = 1  $\mu\text{s}$  (1 MHz speed)

*#CPU* = 1

Smoothing Interval = 331 ms = PECE reading refresh rate

### PECE Error Codes

There are two different error conditions for PECE data, PECE data errors, and PECE bus communications errors. Table 14 describes the two different error conditions. If the ADT7490 reads an error code (0x8000 to 0x8003) from the CPU over the PECE interface, Bit 1 is set in Interrupt Status 3 register (0x43), indicating a data error. The value of the error code is not included in the PECE value averaging sum. This means that a value of 0x00 is added to the PECE sum when an error code is recorded. The error code is not reported in the appropriate PECE value register. If an invalid FCS is recorded by the ADT7490, Bit 2 is set in the Interrupt Status 3 register (0x43), indicating a communications error. An alert is generated on the  $\overline{\text{SMBALERT}}$  pin when either or both of these status bits are asserted.

Table 14. PECI ERROR INDICATORS

| PECI Data        | Description               | Action                             |
|------------------|---------------------------|------------------------------------|
| 0x8000 to 0x8003 | PECI Data Error           | Bit 1 of Register 0x43 is set to 1 |
| Invalid FCS      | PECI Communications Error | Bit 2 of Register 0x43 is set to 1 |

Each PECI channel also has an associated status bit to indicate if the PECI high or low limits have been exceeded. An alert is generated on the  $\overline{\text{SMBALERT}}$  pin when these status bits are asserted.

Table 15. PECI STATUS BITS

| Channel | Register | Bit |
|---------|----------|-----|
| PECI0   | 0x43     | 0   |
| PECI1   | 0x81     | 3   |
| PECI2   | 0x81     | 4   |
| PECI3   | 0x81     | 5   |

#### Temperature Data REPLACE Mode

The REPLACE mode is configured by setting Bit 4 of Register 0x36. In this mode, the data in the existing Remote 1 registers are replaced by PECI0 data. This is a legacy mode that allows the thermal data from CPU1 to be stored in the same registers as in the ADT7476A. This reduces the software changes in systems transitioning from CPUs with thermal diodes to CPUs with a PECI interface. However, note that even though the associated registers are swapped, the correct data format (PECI vs. absolute temperature, see Table 6) must be written to and interpreted from these registers.

#### Notes

In Table 16, registers listed under the Remote 1 Default column are in absolute temperature format by default and are in PECI format in REPLACE mode. Registers listed under the PECI0 Default column are in PECI format by default and in absolute temperature format in REPLACE mode.

Table 16. REPLACE MODE TEMPERATURE REGISTERS

| Register Name                                | Remote 1 Default  | PECI0 Default   |
|--|---|---|
| Value Register                               | Reg. 0x25   | Reg. 0x33   |
| Low Limit                                    | Reg. 0x4E   | Reg. 0x34   |
| High Limit                                   | Reg. 0x4F   | Reg. 0x35   |
| $T_{\text{MIN}}$                             | Reg. 0x67   | Reg. 0x3B   |
| $T_{\text{RANGE}}$                           | Reg. 0x5F, Bits [7:4]                                   | Reg. 0x3C, Bits [7:4]                                   |
| Enhanced Acoustics                           | Reg. 0x62, Bits [2:0]                                   | Reg. 0x3C, Bits [2:0]                                   |
| Enhanced Acoustics Enable                    | Reg. 0x62, Bit 3  | Reg. 0x3C, Bit 3  |
| THERM $T_{\text{CONTROL}}$                   | Reg. 0x6A   | Reg. 0x3D   |
| $T_{\text{MIN}}$ Hysteresis                  | Reg. 0x6D, Bits [7:4]<br>Reg. 0x6D, Bits [3:0] (Note 1) | Reg. 0x6E, Bits [3:0]<br>Reg. 0x6E, Bits [7:4] (Note 1) |
| Temperature offset                           | Reg. 0x70   | Reg. 0x94   |
| Operating Point for Dynamic $T_{\text{MIN}}$ | Reg. 0x8B   | Reg. 0x8A   |

1. In REPLACE mode, the Remote 2 and local temperature hysteresis values are swapped.

In REPLACE mode, the temperature zone controlling the relevant PWM output are also swapped from Remote 1 to PECI0. The swap of control only occurs if the default behavior setting for Register 0x5C Bits [7:5], Register 0x5D Bits [7:5] or Register 0x5E Bits [7:5] is 000.

#### Local Temperature Measurement

The ADT7490 contains an on-chip band gap temperature sensor whose output is digitized by the on-chip 10-bit ADC. The 8-bit MSB temperature data is stored in the local temperature register (Address 0x26). Because both positive and negative temperatures can be measured, the temperature data is stored in Offset 64 format or twos complement format, as shown in Table 17 and Table 18. Theoretically, the temperature sensor and ADC can measure temperatures from  $-128^{\circ}\text{C}$  to  $+127^{\circ}\text{C}$  (or  $-64^{\circ}\text{C}$  to  $+191^{\circ}\text{C}$  in the extended temperature range) with a resolution of  $0.25^{\circ}\text{C}$ . However, this exceeds the operating temperature range of the device, so local temperature measurements outside the ADT7490 operating temperature range are not possible.

**Table 17. TWOS COMPLEMENT TEMPERATURE DATA FORMAT**

| Temperature | Digital Output (10-bit) (Note 1)  |
|-------------|-----------------------------------|
| -128°C      | 1000 0000 <b>00</b> (Diode Fault) |
| -63°C       | 1100 0001 <b>00</b>               |
| -50°C       | 1100 1110 <b>00</b>               |
| -25°C       | 1110 0111 <b>00</b>               |
| -10°C       | 1111 0110 <b>00</b>               |
| 0°C         | 0000 0000 <b>00</b>               |
| 10.25°C     | 0000 1010 <b>01</b>               |
| 25.5°C      | 0001 1001 <b>10</b>               |
| 50.75°C     | 0011 0010 <b>11</b>               |
| 75°C        | 0100 1011 <b>00</b>               |
| 100°C       | 0110 0100 <b>00</b>               |
| 125°C       | 0111 1101 <b>00</b>               |
| 127°C       | 0111 1111 <b>00</b>               |

1. Bold numbers denote 2 LSBs of measurement in the Extended Resolution 2 register (Register 0x77) with 0.25°C resolution.

**Table 18. OFFSET 64 DATA FORMAT**

| Temperature | Digital Output (10-bit) (Note 1)  |
|-------------|-----------------------------------|
| -64°C       | 0000 0000 <b>00</b> (Diode Fault) |
| -63°C       | 0000 0001 <b>00</b>               |
| -1°C        | 0011 1111 <b>00</b>               |
| 0°C         | 0100 0000 <b>00</b>               |
| 1°C         | 0100 0001 <b>00</b>               |
| 10°C        | 0100 1010 <b>00</b>               |
| 25°C        | 0101 1001 <b>00</b>               |
| 50°C        | 0111 0010 <b>00</b>               |
| 75°C        | 1000 1001 <b>00</b>               |
| 100°C       | 1010 0100 <b>00</b>               |
| 125°C       | 1011 1101 <b>00</b>               |
| 191°C       | 1111 1111 <b>00</b>               |

1. Bold numbers denote 2 LSBs of measurement in the Extended Resolution 2 register (Register 0x77) with 0.25°C resolution.

**Thermal Diode Temperature Measurement Method**

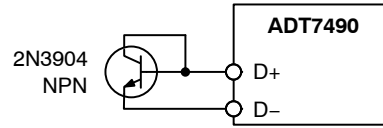
A simple method of measuring temperature is to exploit the negative temperature coefficient of a diode, measuring the base-emitter voltage ( $V_{BE}$ ) of a transistor operated at constant current. Unfortunately, this technique requires calibration to null out the effect of the absolute value of  $V_{BE}$ , which varies from device to device.

The technique used in the ADT7490 is to measure the change in  $V_{BE}$  when the device is operated at three different currents. Previous devices have used only two operating currents, but the use of a third current allows automatic cancellation of resistances in series with the external temperature sensor.

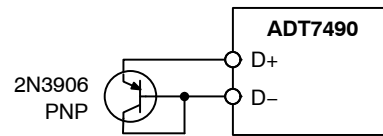
Figure 28 shows the input signal conditioning used to measure the output of an external temperature sensor. This figure shows the external sensor as a substrate transistor, but

it could equally be a discrete transistor, such as a 2N3904/2N3906.

If a discrete transistor is used, the collector is not grounded and should be linked to the base. If a PNP transistor is used, the base is connected to the D- input and the emitter to the D+ input. If an NPN transistor is used, the emitter is connected to the D- input and the base to the D+ input. Figure 25 and Figure 26 show how to connect the ADT7490 to an NPN or PNP transistor for temperature measurement.



**Figure 25. Measuring Temperature by Using an NPN Transistor**



**Figure 26. Measuring Temperature by Using a PNP Transistor**

To prevent ground noise from interfering with the measurement, the more negative terminal of the sensor is not referenced to ground, but is biased above ground by an internal diode at the D- input. C1 can optionally be added as a noise filter (recommended maximum value of 1,000 pF). However, a better option in noisy environments is to add a filter, as described in the section.

**Remote Temperature Measurement**

The ADT7490 can measure the temperature of two remote diode sensors or diode-connected transistors connected to Pin 10 and Pin 11, or Pin 12 and Pin 13.

The forward voltage of a diode or diode-connected transistor operated at a constant current exhibits a negative temperature coefficient of about  $-2 \text{ mV}/^\circ\text{C}$ . Unfortunately, the absolute value of  $V_{BE}$  varies from device to device, and individual calibration is required to null this out. Therefore, the technique is unsuitable for mass production. The technique used in the ADT7490 is to measure the change in  $V_{BE}$  when the device is operated at three different currents. This is given by:

$$\Delta V_{BE} = \frac{kT}{q} \times \ln(N) \quad (\text{eq. 2})$$

where:

- $k$  is the Boltzmann constant.
- $q$  is the charge on the carrier.
- $T$  is the absolute temperature in Kelvin.
- $N$  is the ratio of the two currents.

To measure  $\Delta V_{BE}$ , the operating current through the sensor is switched among three related currents.  $N1 \times I$  and  $N2 \times I$  are different multiples of the current  $I$ , as shown in Figure 27. The currents through the temperature diode are

switched between I and  $N1 \times I$ , giving  $\Delta V_{BE1}$ , and then between I and  $N2 \times I$ , giving  $\Delta V_{BE2}$ . The temperature can then be calculated using the two  $\Delta V_{BE}$  measurements. This method can also cancel the effect of any series resistance on the temperature measurement.

The resulting  $\Delta V_{BE}$  waveforms are passed through a 65 kHz low-pass filter to remove noise and then to a chopper-stabilized amplifier. This amplifies and rectifies the waveform to produce a dc voltage proportional to  $\Delta V_{BE}$ . The ADC digitizes this voltage, and a temperature

measurement is produced. To reduce the effects of noise, digital filtering is performed by averaging the results of 16 measurement cycles.

The results of remote temperature measurements are stored in 10-bit, twos complement format, as listed in Table 17. The extra resolution for the temperature measurements is held in the Extended Resolution Register 2 (0x77). This gives temperature readings with a resolution of 0.25°C.

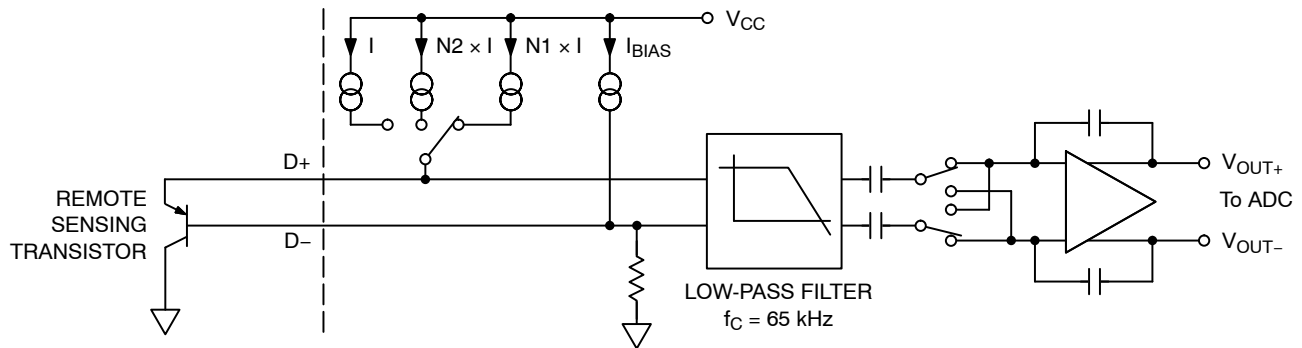


Figure 27. Signal Conditioning for Remote Diode Temperature Sensors

**Series Resistance Cancellation**

Parasitic resistance to the ADT7490 D+ and D- inputs (seen in series with the remote diode) is caused by a variety of factors, including PCB track resistance and track length. This series resistance appears as a temperature offset in the remote sensor’s temperature measurement. This error typically causes a 0.5°C offset per ohm of parasitic resistance in series with the remote diode.

The ADT7490 automatically cancels out the effect of this series resistance on the temperature reading, giving a more accurate result without the need for user characterization of this resistance. The ADT7490 is designed to automatically cancel, typically up to 1.5 kΩ of resistance. By using an advanced temperature measurement method, this is transparent to the user. This feature allows resistances to be added to the sensor path to produce a filter, allowing the part to be used in noisy environments.

**Noise Filtering**

For temperature sensors operating in noisy environments, previous practice was to place a capacitor across the D+ pin and the D- pin to help combat the effects of noise. However, large capacitance affect the accuracy of the temperature measurement, leading to a recommended maximum capacitor value of 1,000 pF. This capacitor reduces the noise, but does not eliminate it, which makes using the sensor difficult in a very noisy environment.

The ADT7490 has a major advantage over other devices for eliminating the effects of noise on the external sensor. Using the series resistance cancellation feature, a filter can be constructed between the external temperature sensor and the part. The effect of any filter resistance seen in series with

the remote sensor is automatically canceled from the temperature result.

The construction of a filter allows the ADT7490 and the remote temperature sensor to operate in noisy environments. Figure 28 shows a low-pass RC filter with the following values:

$$R = 100 \Omega, C = 1 \text{ nF} \quad (\text{eq. 3})$$

This filtering reduces both common-mode noise and differential noise.

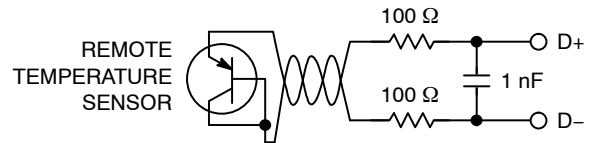


Figure 28. Filter between Remote Sensor and ADT7490

**Factors Affecting Diode Accuracy**

**Remote Sensing Diode**

The ADT7490 is designed to work with either substrate transistors built into processors or discrete transistors. Substrate transistors are generally PNP types with the collector connected to the substrate. Discrete types can be either PNP or NPN transistors connected as a diode (base-shortened to the collector). To reduce the error due to variations in both substrate and discrete transistors, a number of factors should be taken into consideration:

- The ideality factor,  $n_f$ , of the transistor is a measure of the deviation of the thermal diode from ideal behavior. The ADT7490 is trimmed for an  $n_f$  value of 1.008. Use

the following equation to calculate the error introduced at a temperature T (°C) when using a transistor whose  $n_f$  does not equal 1.008. Refer to the data sheet for the related CPU to obtain the  $n_f$  values.

$$\Delta T = (n_f - 1.008)/1.008 \times (273.15 \text{ K} + T) \quad (\text{eq. 4})$$

To factor this in, the user can write the  $\Delta T$  value to the offset register. The ADT7490 automatically adds it to or subtracts it from the temperature measurement.

- Some CPU manufacturers specify the high and low current levels of the substrate transistors. The high current level of the ADT7490,  $I_{HIGH}$ , is 192  $\mu\text{A}$  and the low level current,  $I_{LOW}$ , is 12  $\mu\text{A}$ . If the ADT7490 current levels do not match the current levels specified by the CPU manufacturer, it may be necessary to remove an offset. The CPU's data sheet advises whether this offset needs to be removed and how to calculate it. This offset can be programmed to the offset register. It is important to note that if more than one offset must be considered, the algebraic sum of these offsets must be programmed to the offset register.

If a discrete transistor is used with the ADT7490, the best accuracy is obtained by choosing devices according to the following criteria:

- Base-emitter voltage greater than 0.25 V at 12  $\mu\text{A}$  at the highest operating temperature.
- Base-emitter voltage less than 0.95 V at 192  $\mu\text{A}$  at the lowest operating temperature.
- Base resistance less than 100  $\Omega$ .
- Small variation in  $h_{FE}$  (such as 50 to 150) that indicates tight control of  $V_{BE}$  characteristics.

Transistors, such as 2N3904, 2N3906, or equivalents in SOT-23 packages, are suitable devices to use.

#### Reading Temperature from the ADT7490

It is important to note that temperature can be read from the ADT7490 as an 8-bit value (with 1°C resolution) or as a 10-bit value (with 0.25°C resolution). If only 1°C resolution is required, the temperature readings can be read back at any time and in no particular order.

If the 10-bit measurement is required, it involves a 2-register read for each measurement. The Extended Resolution 2 register (0x77) should be read first. This causes all temperature reading registers to be frozen until all temperature reading registers have been read from. This prevents an MSB reading from being updated while its two LSBs are being read and vice versa.

#### Nulling Out Temperature Errors

As CPUs run faster, it becomes more difficult to avoid high frequency clocks when routing the D+/D- traces around a system board. Even when recommended layout guidelines are followed, some temperature errors may still be attributable to noise coupled onto the D+/D- lines.

Constant high frequency noise usually attenuates or increases temperature measurements by a linear, constant value.

The ADT7490 has temperature offset registers at Address 0x70, Address 0x71, and Address 0x72 for the Remote 1, local, and Remote 2 temperature channels, respectively. By performing a one-time calibration of the system, the user can determine the offset caused by system board noise and null it out using the offset registers. The offset registers automatically add a two's complement 8-bit reading to every temperature measurement.

The temperature offset range and resolution is selected by setting Bit 1 of Register 0x7C. This ensures that the readings in the temperature measurement registers are as accurate as possible. Setting this bit to 0 means the LSBs add 0.5°C offset to the temperature reading, so the 8-bit register effectively allows temperature offsets from -63°C to +64°C with a resolution of 0.5°C. Setting this bit to 1 means the LSBs add 1°C offset to the temperature reading, so the 8-bit register effectively allows temperature offsets of up to -63°C to +127°C with a resolution of 1°C. For the PECl offset registers, the resolution is always 1°C.

**Table 19. TEMPERATURE OFFSET REGISTERS**

| Register | Description                 | Default    |
|----------|-----------------------------|------------|
| 0x70     | Remote 1 Temperature Offset | 0x00 (0°C) |
| 0x71     | Local Temperature Offset    | 0x00 (0°C) |
| 0x72     | Remote 2 Temperature Offset | 0x00 (0°C) |
| 0x94     | PECl0 Temperature Offset    | 0x00 (0°C) |
| 0x95     | PECl1 Temperature Offset    | 0x00 (0°C) |
| 0x96     | PECl2 Temperature Offset    | 0x00 (0°C) |
| 0x97     | PECl3 Temperature Offset    | 0x00 (0°C) |

#### Temperature Measurement Limit Registers

Associated with each temperature measurement channel are high and low limit registers. Exceeding the programmed high or low limit causes the appropriate status bit to be set. Exceeding either limit can also generate  $\overline{\text{SMBALERT}}$  interrupts (depending on the way the interrupt mask register is programmed and assuming that  $\overline{\text{SMBALERT}}$  is set as an output on the appropriate pin).

#### Additional ADC Functions for Temperature Measurement

A number of other functions are available on the ADT7490 to offer the system designer increased flexibility.

#### Turn-off Averaging

For each temperature measurement read from a value register, 16 readings have actually been made internally, and the results averaged, before being placed into the value register. Sometimes it is necessary to take a very fast measurement. Setting Bit 4 of Configuration Register 2 (0x73) turns averaging off. The default round-robin cycle time with averaging off is a maximum of 23 ms.

**Table 20. CONVERSION TIME WITH AVERAGING DISABLED**

| Channel              | Measurement Time (ms) |
|----------------------|-----------------------|
| Voltage Channels     | 0.7                   |
| Remote Temperature 1 | 7                     |
| Remote Temperature 2 | 7                     |
| Local Temperature    | 1.3                   |

When Bit 7 of Configuration Register 6 (0x10) is set, the default round-robin cycle time increases to a maximum of 193 ms.

**Table 21. CONVERSION TIME WITH AVERAGING ENABLED**

| Channel            | Measurement Time (ms) |
|--------------------|-----------------------|
| Voltage Channels   | 11                    |
| Remote Temperature | 39                    |
| Local Temperature  | 12                    |

### Single-channel ADC Conversions

Setting Bit 6 of Configuration Register 2 (Register 0x73) places the ADT7490 into single-channel ADC conversion mode. In this mode, the ADT7490 can be made to read a single temperature channel only. The appropriate ADC channel is selected by writing to Bits [7:4] of the TACH1 Minimum High Byte register (0x55).

**Table 22. PROGRAMMING SINGLE-CHANNEL ADC MODE FOR TEMPERATURES**

| Bits [7:4], Register 0x55 | Channel Selected |
|---------------------------|------------------|
| Remote 1 Temperature      | 0101             |
| Local Temperature         | 0110             |
| Remote 2 Temperature      | 0111             |

### Configuration Register 2 (Register 0x73)

Bit 4 (AVG) = 1, Averaging Off.

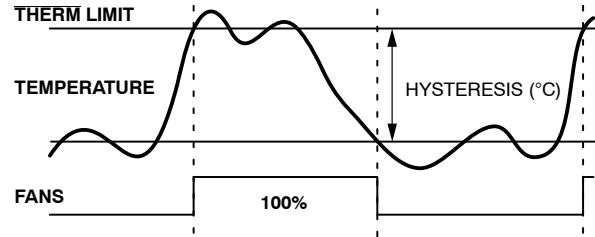
Bit 6 (CONV) = 1, Single-channel Convert Mode.

### Overtemperature Events

Overtemperature events on any of the temperature channels can be detected and dealt with automatically in automatic fan speed control mode. Register 0x6A to Register 0x6C are the  $\overline{\text{THERM}}$  temperature limits for the local and remote diode temperature channels. The equivalent PECL limit is  $T_{\text{CONTROL}}$  in Register 0x3D. When a temperature exceeds its  $\overline{\text{THERM}}$  temperature limit, all PWM outputs run at 100% duty cycle (default). This can be changed to maximum PWM duty cycle as programmed in Register 0x38, Register 0x39, and Register 0x3A, by setting Bit 3 of Register 0x7D.

The fans run at this speed until the temperature drops below  $\overline{\text{THERM}}$  minus hysteresis. This can be disabled by

setting the BOOST bit in Configuration Register 3, Bit 2 (0x78). The hysteresis value for the  $\overline{\text{THERM}}$  temperature limit is the value programmed into the hysteresis registers (0x6D and 0x6E). The default hysteresis value is 4°C.

**Figure 29.  $\overline{\text{THERM}}$  Temperature Limit Operation**

$\overline{\text{THERM}}$  can be disabled by setting Bit 2 of Configuration Register 4 (0x7D).  $\overline{\text{THERM}}$  can also be disabled by:

- In Offset 64 mode, writing  $-64^{\circ}\text{C}$  to the appropriate  $\overline{\text{THERM}}$  temperature limit.
- In twos complement mode, writing  $-128^{\circ}\text{C}$  to the appropriate  $\overline{\text{THERM}}$  temperature limit.

### Limits, Status Registers, and Interrupts

#### Limit Values

Associated with each measurement channel on the ADT7490 are high and low limits. These can form the basis of system status monitoring; a status bit can be set for any out-of-limit condition and is detected by polling the device. Alternatively, SMBALERT interrupts can be generated to flag out-of-limit conditions to a processor or micro-controller.

#### 8-bit Limits

The following is a list of 8-bit limits on the ADT7490:

**Table 23. VOLTAGE LIMIT REGISTERS**

| Register | Description                     | Default |
|----------|---------------------------------|---------|
| 0x44     | +2.5 $V_{\text{IN}}$ Low Limit  | 0x00    |
| 0x45     | +2.5 $V_{\text{IN}}$ High Limit | 0xFF    |
| 0x46     | $V_{\text{CCP}}$ Low Limit      | 0x00    |
| 0x47     | $V_{\text{CCP}}$ High Limit     | 0xFF    |
| 0x48     | $V_{\text{CC}}$ Low Limit       | 0x00    |
| 0x49     | $V_{\text{CC}}$ High Limit      | 0xFF    |
| 0x4A     | +5 $V_{\text{IN}}$ Low Limit    | 0x00    |
| 0x4B     | +5 $V_{\text{IN}}$ High Limit   | 0xFF    |
| 0x4C     | +12 $V_{\text{IN}}$ Low Limit   | 0x00    |
| 0x4D     | +12 $V_{\text{IN}}$ High Limit  | 0xFF    |
| 0x84     | $V_{\text{TT}}$ Low Limit       | 0x00    |
| 0x86     | $V_{\text{TT}}$ High Limit      | 0xFF    |
| 0x85     | $I_{\text{MON}}$ Low Limit      | 0x00    |
| 0x87     | $I_{\text{MON}}$ High Limit     | 0xFF    |

**Table 24. TEMPERATURE LIMIT REGISTERS**

| Register | Description                     | Default |
|----------|---------------------------------|---------|
| 0x4E     | Remote 1 Temperature Low Limit  | 0x81    |
| 0x4F     | Remote 1 Temperature High Limit | 0x7F    |
| 0x6A     | Remote 1 THERM Temp. Limit      | 0x64    |
| 0x50     | Local Temperature Low Limit     | 0x81    |
| 0x51     | Local Temperature High Limit    | 0x7F    |
| 0x6B     | Local THERM Temperature Limit   | 0x64    |
| 0x52     | Remote 2 Temperature Low Limit  | 0x81    |
| 0x53     | Remote 2 Temperature High Limit | 0x7F    |
| 0x6C     | Remote 2 THERM Temp. Limit      | 0x64    |
| 0x34     | PECI Low Limit                  | 0x81    |
| 0x35     | PECI High Limit                 | 0x00    |
| 0x3D     | PECI T <sub>CONTROL</sub> Limit | 0x00    |

**Table 25. THERM TIMER LIMIT REGISTER**

| Register | Description       | Default |
|----------|-------------------|---------|
| 0x7A     | THERM Timer Limit | 0x00    |

**16-bit Limits**

The fan TACH measurements are 16-bit results. The fan TACH limits are also 16 bits, consisting of a high byte and low byte. Only high limits exist for fan TACHs because fans running under speed or stalled are normally the only conditions of interest. Because the fan TACH period is actually being measured, exceeding the limit indicates a slow or stalled fan.

**Table 26. FAN LIMIT REGISTERS**

| Register | Description             | Default |
|----------|-------------------------|---------|
| 0x54     | TACH1 Minimum Low Byte  | 0xFF    |
| 0x55     | TACH1 Minimum High Byte | 0xFF    |
| 0x56     | TACH2 Minimum Low Byte  | 0xFF    |
| 0x57     | TACH2 Minimum High Byte | 0xFF    |
| 0x58     | TACH3 Minimum Low Byte  | 0xFF    |
| 0x59     | TACH3 Minimum High Byte | 0xFF    |
| 0x5A     | TACH4 Minimum Low Byte  | 0xFF    |
| 0x5B     | TACH4 Minimum High Byte | 0xFF    |

**Out-of-Limit Comparisons**

Once all limits have been programmed, the ADT7490 can be enabled for monitoring. The ADT7490 measures all voltage and temperature measurements in round-robin format and sets the appropriate status bit to indicate out-of-limit conditions. TACH measurements are not part of this round-robin cycle. Comparisons are done differently depending on whether the measured value is being compared to a high or low limit.

High Limit > Comparison Performed

Low Limit ≤ Comparison Performed

Voltage and temperature channels use a window comparator for error detecting and, therefore, have high and low limits. Fan speed measurements use only a low limit.

**Analog Monitoring Cycle Time**

The analog monitoring cycle begins when a 1 is written to the start bit (Bit 0) of Configuration Register 1 (0x40). The ADC measures each analog input in turn and, as each measurement is completed, the result is automatically stored in the appropriate value register. This round-robin monitoring cycle continues unless disabled by writing a 0 to Bit 0 of Configuration Register 1.

As the ADC is normally left to free-run in this manner, the time taken to monitor all the analog inputs is normally not of interest, because the most recently measured value of any input can be read out at any time. For applications where the monitoring cycle time is important, it can easily be calculated.

The total number of channels measured consists of

- Six Dedicated Supply Voltage Inputs
- Supply Voltage (V<sub>CC</sub> Pin)
- Local Temperature
- Two Remote Temperatures

As mentioned previously, the ADC performs round-robin conversions and takes 11 ms for each voltage measurement, 12 ms for a local temperature reading, and 39 ms for each remote temperature reading. The total monitoring cycle time for averaged voltage and temperature monitoring is, therefore, nominally

$$(7 \times 11) + 12 + (2 \times 39) = 167 \text{ ms} \quad (\text{eq. 5})$$

Fan TACH measurements and PECI thermal measurements are made in parallel and are not synchronized with the analog measurements in any way.

**Interrupt Status Registers**

The results of limit comparisons are stored in Interrupt Status Register 1 to Interrupt Status Register 4. The status register bit for each channel reflects the status of the last measurement and limit comparison on that channel. If a measurement is within limits, the corresponding interrupt status register bit is cleared to 0. If the measurement is out of limit, the corresponding interrupt status register bit is set to 1.

The state of the various measurement channels can be polled by reading the interrupt status registers over the serial bus. In Bit 7 (OOL) of Interrupt Status Register 1 (0x41), a Logic 1 indicates an out-of-limit event has been flagged in Interrupt Status Register 2. This means the user also needs to read Interrupt Status Register 2. There is a similar OOL bit in Interrupt Status Register 2 and Interrupt Status Register 3, indicating an out-of-limit event in the next status register.

Alternatively, Pin 10 or Pin 14 can be configured as an SMBALERT output. This hard interrupt automatically notifies the system supervisor of an out-of-limit condition. Reading the interrupt status registers clears the appropriate status bit as long as the error condition that caused the

interrupt has cleared. Interrupt status register bits are sticky. Whenever an interrupt status bit is set, indicating an out-of-limit condition, it remains set even if the event that caused it has gone away (until read).

The only way to clear the interrupt status bit is to read the interrupt status register after the event has gone away. Interrupt status mask registers allow individual interrupt sources to be masked from causing an  $\overline{\text{SMBALERT}}$  on the

dedicated alert pin. However, if one of these masked interrupt sources goes out of limit, its associated interrupt status bit is set in the interrupt status registers.

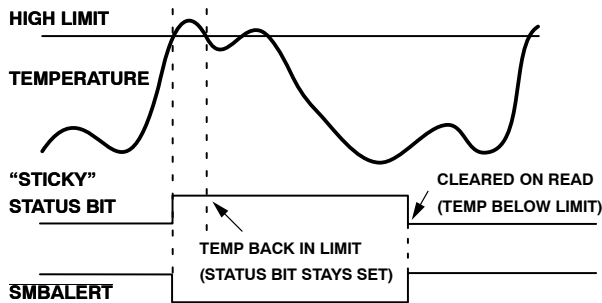
Full details of the Interrupt Status and Interrupt Mask registers associated with each measurement channels are detailed in the Table 27 and in the full register map in the Register Tables section.

**Table 27. INTERRUPT STATUS AND INTERRUPT MASK REGISTER ADDRESS AND BIT ASSIGNMENTS**

| Interrupt Status Register | Interrupt Mask Register | Bit 7           | Bit 6            | Bit 5      | Bit 4 | Bit 3              | Bit 2           | Bit 1            | Bit 0                       |
|---------------------------|-------------------------|-----------------|------------------|------------|-------|--------------------|-----------------|------------------|-----------------------------|
| 0x41                      | 0x74                    | OOL             | R2T              | LT         | R1T   | +5 V <sub>IN</sub> | V <sub>CC</sub> | V <sub>CCP</sub> | +2.5 V <sub>IN</sub> /THERM |
| 0x42                      | 0x75                    | D2 FAULT        | D1 FAULT         | FAN4/THERM | FAN3  | FAN2               | FAN1            | OOL              | +12 V <sub>IN</sub>         |
| 0x43                      | 0x82                    | OOL             | RES              | RES        | RES   | OVT                | COM M           | DATA             | PECIO                       |
| 0x81                      | 0x83                    | V <sub>TT</sub> | I <sub>MON</sub> | PECI3      | PECI2 | PECI1              | RES             | RES              | RES                         |

**SMBALERT Interrupt Behavior**

The ADT7490 can be polled for status, or an  $\overline{\text{SMBALERT}}$  interrupt can be generated for out-of-limit conditions. It is important to note how the  $\overline{\text{SMBALERT}}$  output and status bits behave when writing interrupt handler software.



**Figure 30.  $\overline{\text{SMBALERT}}$  and Status Bit Behavior**

Figure 30 shows how the  $\overline{\text{SMBALERT}}$  output and sticky status bits behave. Once a limit is exceeded, the corresponding status bit is set to 1. The status bit remains set until the error condition subsides and the status register is read. The status bits are referred to as sticky, because they remain set until read by software. This ensures that an out-of-limit event cannot be missed if software is polling the device periodically.

Note that the  $\overline{\text{SMBALERT}}$  output remains low for the entire duration that a reading is out of limit and until the status register has been read. This has implications on how software handles the interrupt.

**Handling  $\overline{\text{SMBALERT}}$  Interrupts**

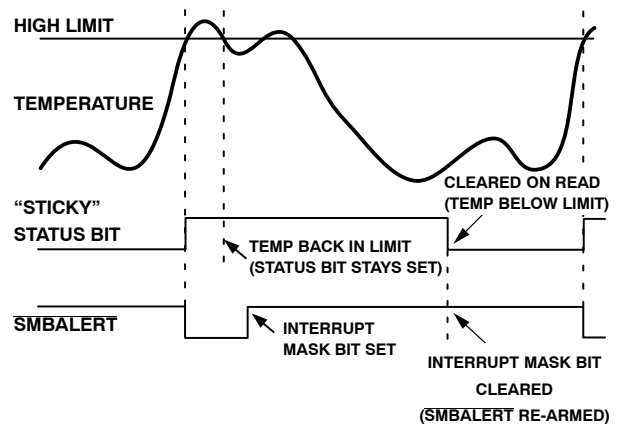
To prevent the system from being tied up servicing interrupts, it is recommend to handle the  $\overline{\text{SMBALERT}}$  interrupt as follows:

1. Detect the  $\overline{\text{SMBALERT}}$  assertion.
2. Enter the interrupt handler.
3. Read the status registers to identify the interrupt source.

4. Mask the interrupt source by setting the appropriate mask bit in the interrupt mask registers (0x74, 0x75, 0x82, and 0x83).
5. Take the appropriate action for a given interrupt source.
6. Exit the interrupt handler.
7. Periodically poll the status registers. If the interrupt status bit has cleared, reset the corresponding interrupt mask bit to 0. This causes the  $\overline{\text{SMBALERT}}$  output and status bits to behave as shown in Figure 31.

**Masking Interrupt Sources**

The interrupt mask registers allow individual interrupt sources to be masked out to prevent  $\overline{\text{SMBALERT}}$  interrupts. Note that masking an interrupt source prevents only the  $\overline{\text{SMBALERT}}$  output from being asserted; the appropriate status and mask registers associated with each measurement channel are detailed in Table 27 and Table 44.



**Figure 31. How Masking the Interrupt Source Affects  $\overline{\text{SMBALERT}}$  Output**



**Enabling the SMBALERT Interrupt Output**

The SMBALERT interrupt function is disabled by default. Pin 10 or Pin 14 can be reconfigured as an SMBALERT output to signal out-of-limit conditions.

**Table 28. CONFIGURING PIN 10 AS SMBALERT OUTPUT**

| Register  | Bit Setting  |
|---|--|
| Configuration Register 3 (Register 0x78), Bit 0 | [1] Pin 10 = SMBALERT<br>[0] Pin 10 = PWM2 (Default) |

**Assigning THERM Functionality to a Pin**

Pin 14 on the ADT7490 has three possible functions: SMBALERT, THERM, and TACH4. The user chooses the required functionality by setting Bit 0 and Bit 1 of Configuration Register 4 at Address 0x7D.

If THERM is enabled (Bit 1, Configuration Register 3 at Address 0x78),

- Pin 22 becomes THERM.
- If Pin 14 is configured as THERM (Bit 0 and Bit 1 of Configuration Register 4 at Address 0x7D), THERM is enabled on this pin.

If THERM is not enabled,

- Pin 22 becomes a 2.5 V<sub>IN</sub> measurement input.
- If Pin 14 is configured as THERM, THERM is disabled on this pin.

**Table 29. CONFIGURING PIN 14 IN REGISTER 0x7D**

| Bit 1 | Bit 0 | Function |
|-------|-------|----------|
| 0     | 0     | TACH4    |
| 0     | 1     | THERM    |
| 1     | 0     | SMBALERT |
| 1     | 1     | Reserved |

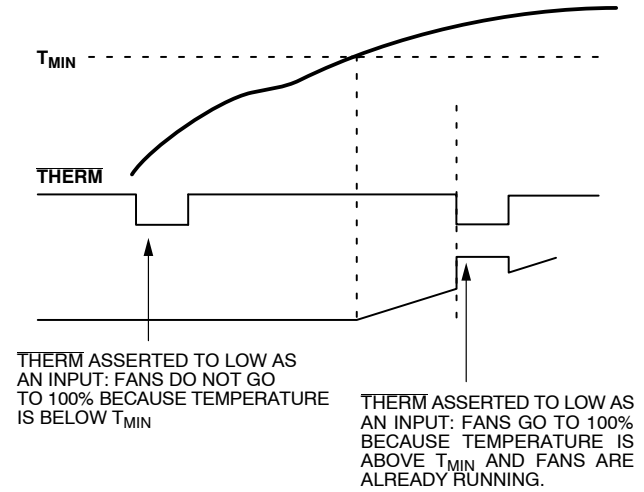
**THERM as an Input**

When THERM is configured as an input, the user can time assertions on the THERM pin. This can be useful for connecting to the PROCHOT output of a CPU to gauge system performance.

The user can also set up the ADT7490 so that the fans run at 100% when the THERM pin is driven low externally. The fans run at 100% for the duration of the time that the THERM pin is pulled low. This is done by setting the BOOST bit (Bit 2) in Configuration Register 3 (Address 0x78) to 1. This

works only if the fan is already running, for example, in manual mode when the current duty cycle is above 0x00, or in automatic mode when the temperature is above T<sub>MIN</sub>.

If the temperature is below T<sub>MIN</sub> or if the duty cycle in manual mode is set to 0x00, pulling the THERM low externally has no effect. See Figure 32 for more information.



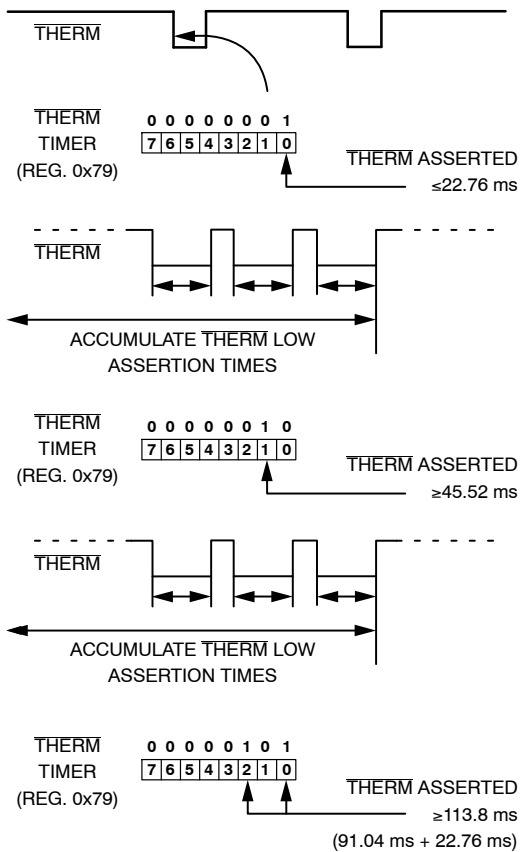
**Figure 32. Asserting THERM Low as an Input in Automatic Fan Speed Control Mode**

**THERM Timer**

The ADT7490 has an internal timer to measure THERM assertion time. For example, the THERM input can be connected to the PROCHOT output of a CPU to measure system performance. The THERM input can also be connected to the output of a trip point temperature sensor.

The timer is started on the assertion of the ADT7490 THERM input and stopped when THERM is deasserted. The timer counts THERM times cumulatively, that is, the timer resumes counting on the next THERM assertion. The THERM timer continues to accumulate THERM assertion times until the timer is read (it is cleared on read), or until it reaches full scale. If the counter reaches full scale, it stops at that reading until cleared.

The 8-bit THERM timer status register (0x79) is designed so that Bit 0 is set to 1 on the first THERM assertion. Once the cumulative THERM assertion time has exceeded 45.52 ms, Bit 1 of the THERM timer is set and Bit 0 now becomes the LSB of the timer with a resolution of 22.76 ms (see Figure 33).



**Figure 33. Understanding the THERM Timer**

When using the THERM timer, be aware of the following:

After a THERM timer read (Register 0x79):

- The contents of the timer are cleared on read.
- Bit 5 of Interrupt Status 2 register (0x42) needs to be cleared (assuming that the THERM timer limit has been exceeded).

If the THERM timer is read during a THERM assertion, the following happens:

- The contents of the timer are cleared.
- Bit 0 of the THERM timer is set to 1, because a THERM assertion is occurring.
- The THERM timer increments from zero.
- If the THERM timer limit (Register 0x7A) = 0x00, the F4P bit is set.

#### Generating SMBALERT Interrupts from THERM Timer Events

The ADT7490 can generate SMBALERTs when a programmable THERM timer limit has been exceeded. This allows the system designer to ignore brief, infrequent THERM assertions while capturing longer THERM timer events. Register 0x7A is the THERM timer limit register. This 8-bit register allows a limit from 0 sec (first THERM assertion) to 5.825 sec to be set before an SMBALERT is generated. The THERM timer value is compared with the contents of the THERM timer limit register. If the THERM

timer value exceeds the THERM timer limit value, the FAN4 bit (Bit 5) of Status Register 2 is set and an SMBALERT is generated.

Note that depending on which pins are configured as a THERM timer, setting the FAN4/THERM bit (Bit 5) of the Interrupt Mask Register 2 (0x75), or bit 0 of the Interrupt Mask Register 1 (0x74), masks out SMBALERT; although the FAN4 bit of Interrupt Status Register 2 is still set if the THERM timer limit is exceeded.

Figure 34 is a functional block diagram of the THERM timer, THERM limit, and its associated circuitry. Writing a value of 0x00 to the THERM Timer Limit register (0x7A) causes an SMBALERT to be generated on the first THERM assertion. A THERM timer limit value of 0x01 generates an SMBALERT once cumulative THERM assertions exceed 45.52 ms.

#### Configuring the Relevant THERM Behavior

1. Configure the desired pin as the THERM timer input. Setting Bit 1 (THERM timer enable) of Configuration Register 3 (Register 0x78) enables the THERM timer monitoring functionality. This is disabled on Pin 14 and Pin 22 by default. Setting Bit 0 and Bit 1 (Pin 14 Func) of Configuration Register 4 (Register 0x7D) enables THERM timer output functionality on Pin 22 (Bit 1 of Configuration Register 3, THERM, must also be set). Pin 14 can also be used as TACH4.
2. Select the desired fan behavior for THERM timer events. Assuming the fans are running, setting Bit 2 (BOOST bit) of Configuration Register 3 (Register 0x78) causes all fans to run at 100% duty cycle whenever THERM is asserted. This allows fail-safe system cooling. If this bit = 0, the fans run at their current settings and are not affected by THERM events. If the fans are not already running when THERM is asserted, the fans do not run to full speed.
3. Select whether THERM timer events should generate SMBALERT interrupts. Bit 5 of Interrupt Mask Register 2 (0x75) or Bit 0 of Interrupt Mask Register 1 (0x74), depending on which pins are configured as a THERM timer, when set, masks out SMBALERTs when the THERM timer limit value is exceeded. This bit should be cleared if SMBALERTs based on THERM events are required.
4. Select a suitable THERM limit value. This value determines whether an SMBALERT is generated on the first THERM assertion, or only if a cumulative THERM assertion time limit is exceeded. A value of 0x00 causes an SMBALERT to be generated on the first THERM assertion.
5. Select a THERM monitoring time. This value specifies how often OS- or BIOS-level software checks the THERM timer. For example,

BIOS can read the  $\overline{\text{THERM}}$  timer once an hour to determine the cumulative  $\overline{\text{THERM}}$  assertion time. If, for example, the total  $\overline{\text{THERM}}$  assertion time is <22.76 ms in Hour 1, >182.08 ms in Hour 2, and

>2.914 sec in Hour 3, this indicates that system performance is degrading significantly because  $\overline{\text{THERM}}$  is asserting more frequently on an hourly basis.

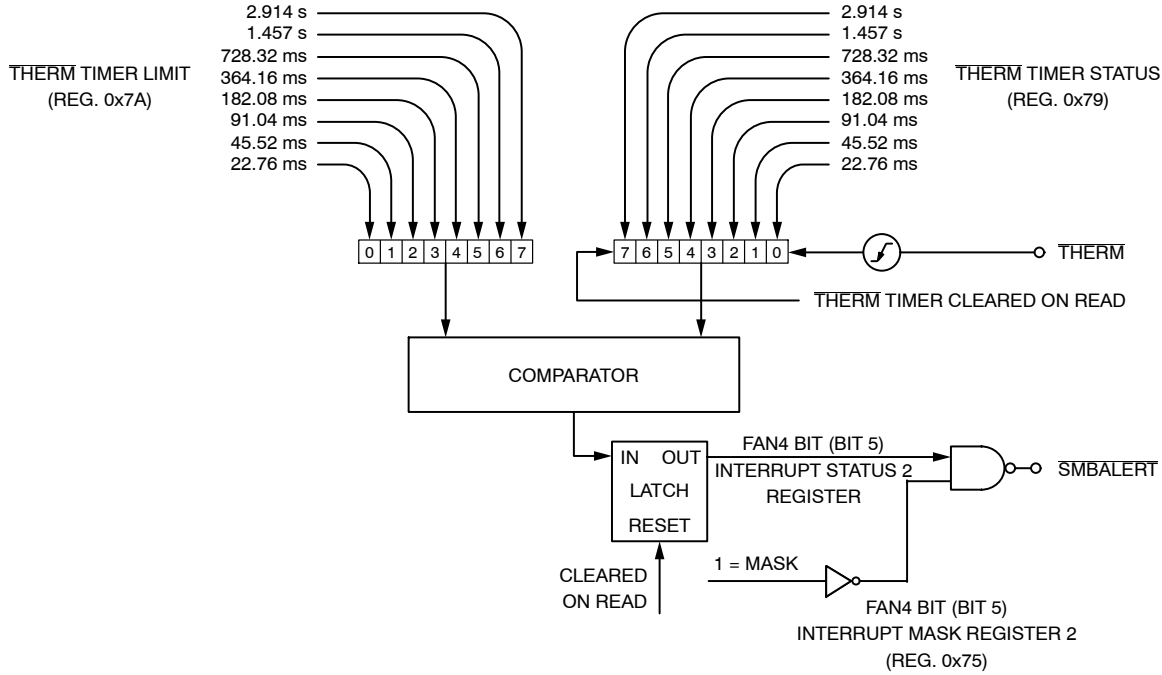


Figure 34. Functional Block Diagram of  $\overline{\text{THERM}}$  Monitoring Circuitry

Alternatively, OS- or BIOS-level software can time-stamp when the system is powered on. If an  $\overline{\text{SMBALERT}}$  is generated due to the  $\overline{\text{THERM}}$  timer limit being exceeded, another time-stamp can be taken. The difference in time can be calculated for a fixed  $\overline{\text{THERM}}$  timer limit time. For example, if it takes one week for a  $\overline{\text{THERM}}$  timer limit of 2.914 sec to be exceeded, and the next time it takes only 1 hour, this is an indication of a serious degradation in system performance.

**Configuring the  $\overline{\text{THERM}}$  Pin as an Output**

In addition to monitoring  $\overline{\text{THERM}}$  as an input, the ADT7490 can optionally drive  $\overline{\text{THERM}}$  low as an output. When  $\overline{\text{PROCHOT}}$  is bidirectional,  $\overline{\text{THERM}}$  can be used to throttle the processor by asserting  $\overline{\text{PROCHOT}}$ . The user can preprogram system-critical thermal limits. If the temperature exceeds a thermal limit by 0.25°C,  $\overline{\text{THERM}}$  asserts low. If the temperature is still above the thermal limit on the next monitoring cycle,  $\overline{\text{THERM}}$  stays low.  $\overline{\text{THERM}}$  remains asserted low until the temperature is equal to or below the thermal limit. Because the temperature for that channel is measured only once for every monitoring cycle, after  $\overline{\text{THERM}}$  asserts, it is guaranteed to remain low for at least one monitoring cycle.

The  $\overline{\text{THERM}}$  pin can be configured to assert low if the Remote 1  $\overline{\text{THERM}}$ , local  $\overline{\text{THERM}}$ , Remote 2  $\overline{\text{THERM}}$  or PECE temperature limits are exceeded by 0.25°C. The

$\overline{\text{THERM}}$  temperature limit registers are at Register 0x6A, Register 0x6B, and Register 0x6C, respectively. Setting Bits [5:7] of Configuration Register 5 (0x7C) enables the  $\overline{\text{THERM}}$  output feature for the Remote 1, local, and Remote 2 temperature channels, respectively. Figure 35 shows how the  $\overline{\text{THERM}}$  pin asserts low as an output in the event of a critical overtemperature.

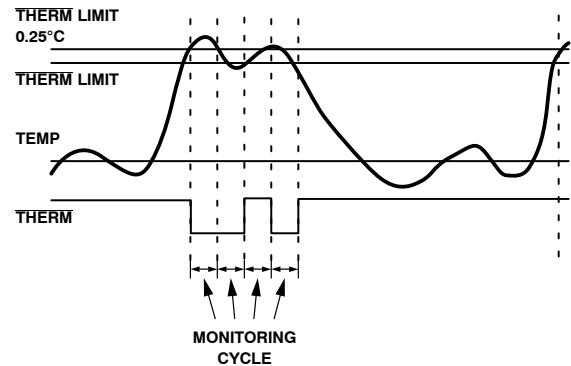


Figure 35. Asserting  $\overline{\text{THERM}}$  as an Output, Based on Tripping  $\overline{\text{THERM}}$  Limits

An alternative method of disabling  $\overline{\text{THERM}}$  is to program the  $\overline{\text{THERM}}$  temperature limit to -63°C or less in Offset 64 mode, or -128°C or less in twos complement mode; that is, for  $\overline{\text{THERM}}$  temperature limit values less than -63°C or -128°C, respectively,  $\overline{\text{THERM}}$  is disabled.

**Enabling and Disabling THERM on Individual Channels.**

The THERM pin can be enabled/disabled for individual or combinations of temperature channels using Bits [7:5] of Configuration Register 5 (0x7C).

**THERM Hysteresis**

Setting Bit 0 of Configuration Register 7 (0x11) disables THERM hysteresis.

If THERM hysteresis is enabled and THERM is disabled (Bit 2 of Configuration Register 4, 0x7D), the THERM event is not reflected in the status register and the fans do not go to full speed. If THERM hysteresis is disabled and THERM is disabled (Bit 2 of Configuration Register 4, 0x7D) and assuming the appropriate pin is configured as THERM, the THERM pin asserts low when a THERM event occurs.

If THERM and THERM hysteresis are both enabled, the THERM output asserts as expected.

**THERM Operation in Manual Mode**

In manual mode, THERM events do not cause fans to go to full speed, unless Bit 5 of Configuration Register 1 (0x40) is set to 1.

Additionally, Bit 3 of Configuration Register 4 (0x7D) can be used to select PWM speed on THERM event (100% or maximum PWM).

Bit 2 in Configuration Register 4 (0x7D) can be set to disable THERM events from affecting the fans.

**Fan Drive Using PWM Control**

The ADT7490 uses pulse-width modulation (PWM) to control fan speed. This relies on varying the duty cycle (or on/off ratio) of a square wave applied to the fan to vary the fan speed. The external circuitry required to drive a fan using PWM control is extremely simple. For 4-wire fans, the PWM drive may need only a pullup resistor. In many cases, the 4-wire fan PWM input has a built-in, pullup resistor.

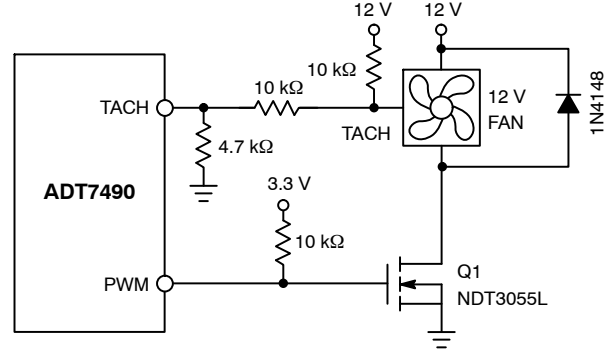
The ADT7490 PWM frequency can be set to a selection of low frequencies or a single high PWM frequency. The low frequency options are used for 3-wire fans, while the high frequency option is usually used with 4-wire fans.

For 3-wire fans, a single N-channel MOSFET is the only drive device required. The specifications of the MOSFET depend on the maximum current required by the fan being driven and the input capacitance of the FET. Because a 10 kΩ (or greater) resistor must be used as a PWM pullup, an FET with large input capacitance can cause the PWM output to become distorted and adversely affect the fan control range. This is a requirement only when using high frequency PWM mode.

Typical notebook fans draw a nominal 170 mA, therefore, SOT devices can be used where board space is a concern. In desktops, fans typically draw 250 mA to 300 mA each. If several fans are driven in parallel from a single PWM output or drive larger server fans, the MOSFET must handle the higher current requirements. The only other stipulation is that the MOSFET should have a gate voltage drive,

$V_{GS} < 3.3\text{ V}$ , for direct interfacing to the PWM output pin. The MOSFET should also have a low on resistance to ensure that there is not a significant voltage drop across the FET, which would reduce the voltage applied across the fan and, therefore, the maximum operating speed of the fan.

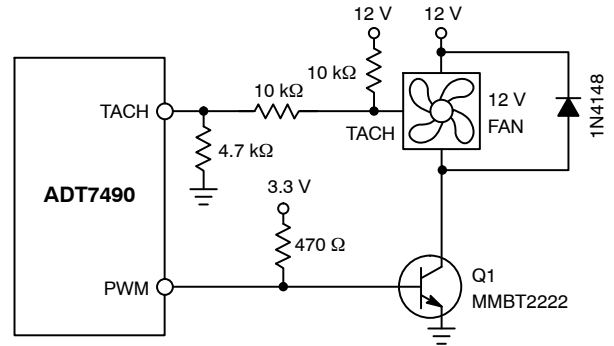
Figure 36 shows how to drive a 3-wire fan using PWM control.



**Figure 36. Driving a 3-wire Fan Using an N-channel MOSFET**

Figure 36 uses a 10 kΩ pullup resistor for the TACH signal. This assumes that the TACH signal is an open-collector from the fan. In all cases, the TACH signal from the fan must be kept below 3.6 V maximum to prevent damaging the ADT7490.

Figure 37 shows a fan drive circuit using an NPN transistor such as a general-purpose MMBT2222. While these devices are inexpensive, they tend to have much lower current handling capabilities and higher on resistance than MOSFETs. When choosing a transistor, care should be taken to ensure that it meets the fan's current requirements. Ensure that the base resistor is chosen so that the transistor is saturated when the fan is powered on.



**Figure 37. Driving a 3-wire Fan Using an NPN Transistor**

Because the fan drive circuitry in 4-wire fans is not switched on or off, as with previous PWM driven/powered fans, the internal drive circuit is always on and uses the PWM input as a signal instead of a power supply. This enables the internal fan drive circuit to perform better than 3-wire fans, especially for high frequency applications. Figure 38 shows a typical drive circuit for 4-wire fans.

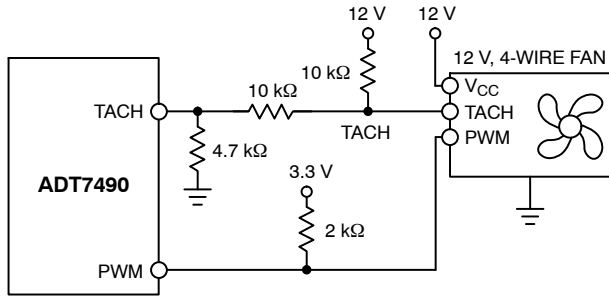


Figure 38. Driving a 4-wire Fan

**Driving Two Fans from PWM3**

The ADT7490 has four TACH inputs available for fan speed measurement, but only three PWM drive outputs. If a fourth fan is being used in the system, it should be driven from the PWM3 output in parallel with the third fan.

Figure 39 shows how to drive two fans in parallel using low cost NPN transistors. Figure 40 shows the equivalent circuit using a MOSFET.

Because the MOSFET can handle up to 3.5 A, it is simply a matter of connecting another fan directly in parallel with the first. Care should be taken in designing drive circuits with transistors and FETs to ensure the PWM outputs are not required to source current, and that they sink less than the 5 mA maximum current specified in the data sheet.

**Driving up to Three Fans from PWM3**

TACH measurements for fans are synchronized to particular PWM channels; for example, TACH1 is synchronized to PWM1. TACH3 and TACH4 are both synchronized to PWM3, so PWM3 can drive two fans. Alternatively, PWM3 can be programmed to synchronize TACH2, TACH3, and TACH4 to the PWM3 output. This allows PWM3 to drive two or three fans. In this case, the drive circuitry looks the same, as shown in Figure 39 and Figure 40. The SYNC bit in Register 0x62 enables this function.

Synchronization is not required in high frequency mode when used with 4-wire fans.

**SYNC, Enhanced Acoustics Register 1 (Register 0x62)**

Bit 4 (SYNC) = 1, synchronizes TACH2, TACH3, and TACH4 to PWM3.

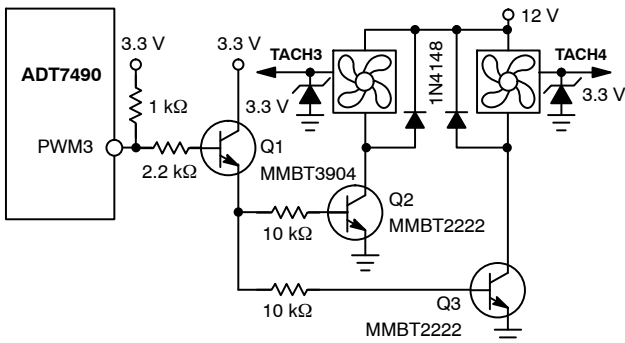


Figure 39. Interfacing Two Fans in Parallel to the PWM3 Output Using Low Cost NPN Transistors

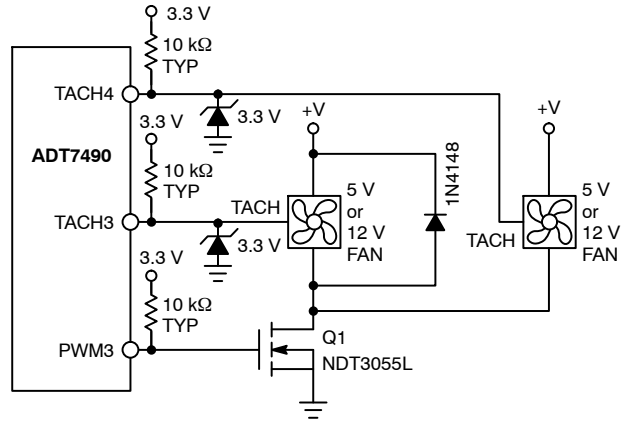


Figure 40. Interfacing Two Fans in Parallel to the PWM3 Output Using a Single N-channel MOSFET

**Laying Out 3-wire Fans**

Figure 41 shows how to lay out a common circuit arrangement for 3-wire fans.

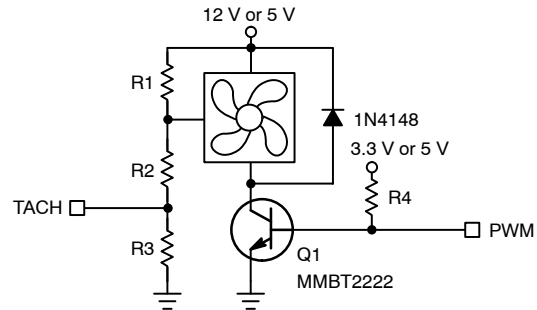


Figure 41. Planning for 3-wire Fans on a PCB

**TACH Inputs**

Pin 9, Pin 11, Pin 12, and Pin 14 (when configured as TACH inputs) are high impedance inputs intended for fan speed measurement.

Signal conditioning in the ADT7490 accommodates the slow rise and fall times typical of fan tachometer outputs. The maximum input signal range is 0 V to 3.6 V, even though V<sub>CC</sub> is 3.3 V. In the event that these inputs are supplied from fan outputs that exceed 0 V to 3.6 V, either resistive attenuation of the fan signal or diode clamping must be included to keep inputs within an acceptable range.

Figure 42 to Figure 45 show circuits for the most common fan TACH outputs.

If the fan TACH output has a resistive pullup to V<sub>CC</sub>, it can be connected directly to the fan input, as shown in Figure 42.

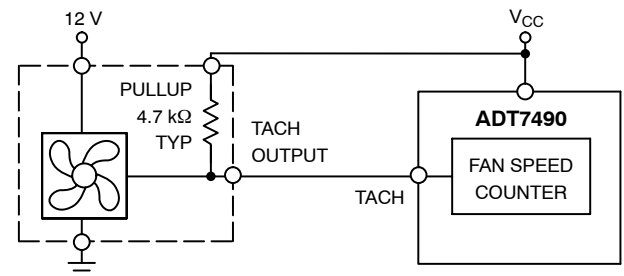
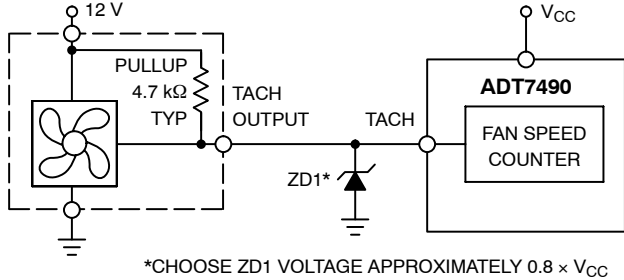


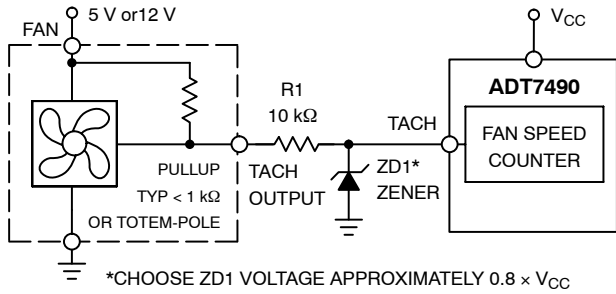
Figure 42. Fan with TACH Pullup to V<sub>CC</sub>

If the fan output has a resistive pullup to 12 V, or other voltage greater than 3.6 V, the fan output can be clamped with a Zener diode, as shown in Figure 43. The Zener diode voltage should be chosen so that it is greater than  $V_{IH}$  of the TACH input but less than 3.6 V, allowing for the voltage tolerance of the Zener. A value of between 3.0 V and 3.6 V is suitable.



**Figure 43. Fan with Strong TACH Pullup to > 3.6 V, (for Example, 12 V) Clamped with Zener Diode**

If the fan has a strong pullup (less than 1 kΩ) to 12 V or a totem-pole output, a series resistor can be added to limit the Zener current, as shown in Figure 44.



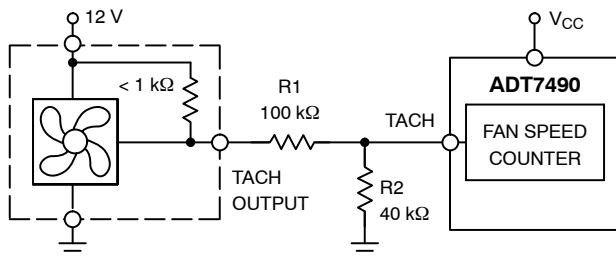
**Figure 44. Fan with Strong TACH. Pullup to >  $V_{CC}$  or Totem-Pole Output, Clamped with Zener Diode and Resistor**

Alternatively, a resistive attenuator can be used, as shown in Figure 45. R1 and R2 should be chosen such that

$$2\text{ V} < V_{\text{PULLUP}} \times R2 / (R_{\text{PULLUP}} + R1 + R2) < 3.6\text{ V} \text{ (eq. 6)}$$

The fan inputs have an input resistance of nominally 160 kΩ to ground, which should be taken into account when calculating resistor values.

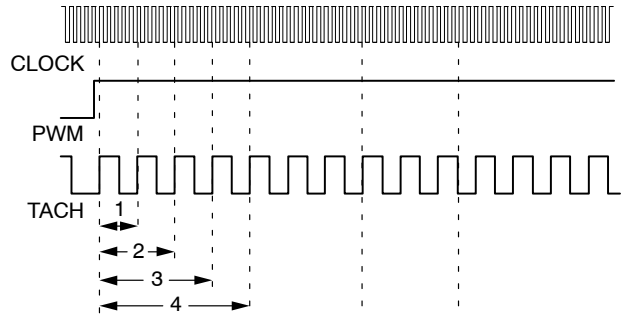
With a pullup voltage of 12 V and pullup resistor less than 1 kΩ, suitable values for R1 and R2 are 100 kΩ and 40 kΩ, respectively. This gives a high input voltage of 3.42 V.



**Figure 45. Fan with Strong TACH. Pullup to >  $V_{CC}$  or Totem-Pole Output, Attenuated with R1/R2**

The fan counter does not count the fan TACH output pulses directly because the fan speed could be less than 1,000 RPM, and it takes several seconds to accumulate a reasonably large and accurate count. Instead, the period of the fan revolution is measured by gating an on-chip 90 kHz oscillator into the input of a 16-bit counter for N periods of the fan TACH output (see Figure 46), so the accumulated count is actually proportional to the fan tachometer period and inversely proportional to the fan speed.

N, the number of pulses counted, is determined by the settings of the TACH pulses per revolution register (0x7B). This register contains two bits for each fan, allowing one, two (default), three, or four TACH pulses to be counted.



**Figure 46. Fan Speed Measurement**

### Fan Speed Measurement Registers

The fan tachometer registers are 16-bit values consisting of a 2-byte read from the ADT7490.

**Table 30. FAN TACHOMETER REGISTERS**

| Register | Description     | Default |
|----------|-----------------|---------|
| 0x28     | TACH1 Low Byte  | 0x00    |
| 0x29     | TACH1 High Byte | 0x00    |
| 0x2A     | TACH2 Low Byte  | 0x00    |
| 0x2B     | TACH2 High Byte | 0x00    |
| 0x2C     | TACH3 Low Byte  | 0x00    |
| 0x2D     | TACH3 High Byte | 0x00    |
| 0x2E     | TACH4 Low Byte  | 0x00    |
| 0x2F     | TACH4 High Byte | 0x00    |

### Reading Fan Speed from the ADT7490

The measurement of fan speeds involves a 2-register read for each measurement. The low byte should be read first. This causes the high byte to be frozen until both high and low byte registers have been read, preventing erroneous TACH readings. The fan tachometer reading registers report back the number of 11.11 μs period clocks (90 kHz oscillator) gated to the fan speed counter, from the rising edge of the first fan TACH pulse to the rising edge of the third fan TACH pulse (assuming two pulses per revolution are being counted).

Because the device is essentially measuring the fan TACH period, the higher the count value, the slower the fan is actually running. A 16-bit fan tachometer reading of

0xFFFF indicates that either the fan has stalled or is running very slowly (<100 RPM).

High Limit > Comparison Performed

Because the actual fan TACH period is being measured, falling below a fan TACH limit by 1 sets the appropriate status bit and can be used to generate an SMBALERT.

**Fan TACH Limit Registers**

The fan TACH limit registers are 16-bit values consisting of two bytes.

**Table 31. FAN TACH LIMIT REGISTERS**

| Register | Description             | Default |
|----------|-------------------------|---------|
| 0x54     | TACH1 Minimum Low Byte  | 0xFF    |
| 0x55     | TACH1 Minimum High Byte | 0xFF    |
| 0x56     | TACH2 Minimum Low Byte  | 0xFF    |
| 0x57     | TACH2 Minimum High Byte | 0xFF    |
| 0x58     | TACH3 Minimum Low Byte  | 0xFF    |
| 0x59     | TACH3 Minimum High Byte | 0xFF    |
| 0x5A     | TACH4 Minimum Low Byte  | 0xFF    |
| 0x5B     | TACH4 Minimum High Byte | 0xFF    |

**Fan Speed Measurement Rate**

The fan TACH readings are normally updated once every second.

When set, the FAST bit (Bit 3) of Configuration Register 3 (0x78), updates the fan TACH readings every 250 ms.

**DC Bits**

If any of the fans are not being driven by a PWM channel but are powered directly from 5.0 V or 12 V, their associated dc bit in Configuration Register 3 should be set. This allows TACH readings to be taken on a continuous basis for fans connected directly to a dc source. For 4-wire fans, once high frequency mode is enabled, the dc bits do not need to be set because this is automatically done internally.

**Calculating Fan Speed**

Assuming a fan with a two pulses per revolution, and with the ADT7490 programmed to measure two pulses per revolution, fan speed is calculated by

$$\text{Fan Speed (RPM)} = (90,000 \times 60) / \text{Fan TACH Reading}$$

where Fan TACH Reading is the 16-bit fan tachometer reading.

**Example**

TACH1 High Byte (Register 0x29) = 0x17

TACH1 Low Byte (Register 0x28) = 0xFF

What is Fan 1 speed in RPM?

Fan 1 TACH Reading = 0x17FF = 6143 (decimal)

RPM = (f × 60)/Fan 1 TACH Reading

RPM = (90,000 × 60)/6143

Fan Speed = 879 RPM

**Fan Pulses per Revolution**

Different fan models can output either one, two, three, or four TACH pulses per revolution. Once the number of fan TACH pulses has been determined, it can be programmed into the TACH pulses per revolution register (0x7B) for each fan. Alternatively, this register can be used to determine the number or pulses per revolution output by a given fan. By plotting fan speed measurements at 100% speed with different pulses per revolution setting, the smoothest graph with the lowest ripple determines the correct pulses per revolution value.

**TACH Pulses per Revolution Register**

Bits [1:0], FAN1 default = 2 pulses per revolution

Bits [3:2], FAN2 default = 2 pulses per revolution

Bits [5:4], FAN3 default = 2 pulses per revolution

Bits [7:6], FAN4 default = 2 pulses per revolution

00 = 1 pulse per revolution

01 = 2 pulses per revolution

10 = 3 pulses per revolution

11 = 4 pulses per revolution

**Fan Spin-up**

The ADT7490 has a unique fan spin-up function. It spins the fan at 100% PWM duty cycle until two TACH pulses are detected on the TACH input. When two TACH pulses have been detected, the PWM duty cycle goes to the expected running value, for example, 33%. The advantage of this is that fans have different spin-up characteristics and take different times to overcome inertia. The ADT7490 runs the fans just fast enough to overcome inertia and is quieter on spin-up than fans programmed to spin up for a given spin-up time.

**Fan Startup Timeout**

To prevent the generation of false interrupts as a fan spins up, because the fan is below running speed, the ADT7490 includes a fan startup timeout function. During this time, the ADT7490 looks for two TACH pulses. If two TACH pulses are not detected, an interrupt is generated.

Fan startup timeout can be disabled by setting Bit 3 (FSPDIS) of Configuration Register 7 (0x11).

**Table 32. PWM1, PWM2, PWM3 CONFIGURATION (REG. 0x5C, REG. 0x5D, REG. 0x5E)**

| Bit   | Mnemonic | Description  |
|-------|----------|--|
| [2:0] | SPIN     | These Bits Control the Startup Timeout for PWM1 (0x5C), PWM2 (0x5D), PWM3 (0x5E).<br>000 = No Startup Timeout<br>001 = 100 ms<br>010 = 250 ms (Default)<br>011 = 400 ms<br>100 = 667 ms<br>101 = 1 s<br>110 = 2 s<br>111 = 4 s |

### Disabling Fan Startup Timeout

Although a fan startup makes fan spin-ups much quieter than fixed-time spin-ups, the option exists to use fixed spin-up times. Setting Bit 3 (FSPDIS) to 1 in Configuration Register 7 (Register 0x11) disables the spin-up for two TACH pulses. Instead, the fan spins up for the fixed time as selected in Register 0x5C to Register 0x5E.

### PWM Logic State

The PWM outputs can be programmed high for 100% duty cycle (non-inverted) or low for 100% duty cycle (inverted).

**Table 33. PWM1 CONFIGURATION (REG. 0x5C)**

| Bit | Mnemonic | Description   |
|-----|----------|---|
| [4] | INV      | 0 = Logic High for 100% PWM Duty Cycle (Non-inverted)<br>1 = Logic Low for 100% PWM Duty Cycle (Inverted) |

**Table 34. PWM2 CONFIGURATION (REG. 0x5D)**

| Bit | Mnemonic | Description   |
|-----|----------|---|
| [4] | INV      | 0 = Logic High for 100% PWM Duty Cycle<br>1 = Logic Low for 100% PWM Duty Cycle |

**Table 35. PWM3 CONFIGURATION (REG. 0x5E)**

| Bit | Mnemonic | Description   |
|-----|----------|---|
| [4] | INV      | 0 = Logic High for 100% PWM Duty Cycle (Non-inverted)<br>1 = Logic Low for 100% PWM Duty Cycle (Inverted) |

### Low Frequency Mode PWM Drive Frequency

The PWM drive frequency can be adjusted for the application. Register 0x5F to Register 0x61 configure the PWM frequency for PWM1 to PWM3, respectively.

**Table 36. PWM1, PWM2, PWM3 FREQUENCY REGISTERS (REG. 0x5F TO 0x61)**

| Bit   | Mnemonic | Description  |
|-------|----------|--|
| [2:0] | FREQ     | 000 = 11.0 Hz<br>001 = 14.7 Hz<br>010 = 22.1 Hz<br>011 = 29.4 Hz<br>100 = 35.3 Hz (Default)<br>101 = 44.1 Hz<br>110 = 58.8 Hz<br>111 = 88.2 Hz |

### High Frequency Mode PWM Drive

Setting Bit 3 of Register 0x5F, Register 0x60, and Register 0x61 enables high frequency mode for Fan 1, Fan 2, and Fan 3, respectively.

In high frequency mode, the PWM drive frequency is always 22.5 kHz. When high frequency mode is enabled, the dc bits are automatically asserted internally and do not need to be changed.

### Fan Speed Control

The ADT7490 controls fan speed using automatic and manual modes.

In automatic fan speed control mode, fan speed is automatically varied with temperature and without CPU intervention, once initial parameters are set up. The advantage is that, if the system hangs, the user is guaranteed that the system is protected from overheating.

In manual fan speed control mode, the ADT7490 allows the duty cycle of any PWM output to be manually adjusted. This can be useful if the user wants to change fan speed in software or adjust PWM duty cycle output for test purposes. Bits [7:5] of Register 0x5C to Register 0x5E (PWM Configuration) control the behavior of each PWM output.

**Table 37. PWM CONFIGURATION REGISTERS (REG. 0x5C TO REG. 0x5E)**

| Bit   | Mnemonic | Description       |
|-------|----------|-------------------|
| [7:5] | BHVR     | 111 = Manual Mode |

Once under manual control, each PWM output can be manually updated by writing to Register 0x30 to Register 0x32 (PWMx current duty cycle registers).

### Programming the PWM Current Duty Cycle Registers

The PWM current duty cycle registers are 8-bit registers that allow the PWM duty cycle for each output to be set anywhere from 0% to 100% in steps of 0.39%. The value to be programmed into the PWM<sub>MIN</sub> register is given by

$$\text{Value (decimal)} = \text{PWM}_{\text{MIN}} / 0.39\%$$

#### Example 1

For a PWM duty cycle of 50%,

$$\text{Value (decimal)} = 50\% / 0.39\% = 128 \text{ (decimal)}$$

$$\text{Value} = 128 \text{ (decimal) or } 0x80 \text{ (hexadecimal)}$$

#### Example 2

For a PWM duty cycle of 33%,

$$\text{Value (decimal)} = 33\% / 0.39\% = 85 \text{ (decimal)}$$

$$\text{Value} = 85 \text{ (decimal) or } 0x54 \text{ (hexadecimal)}$$

**Table 38. PWM DUTY CYCLE REGISTERS**

| Register | Description             | Default     |
|----------|-------------------------|-------------|
| 0x30     | PWM1 Current Duty Cycle | 0xFF (100%) |
| 0x31     | PWM2 Current Duty Cycle | 0xFF (100%) |
| 0x32     | PWM3 Current Duty Cycle | 0xFF (100%) |

By reading the PWMx current duty cycle registers, the user can keep track of the current duty cycle on each PWM output, even when the fans are running in automatic fan speed control mode or acoustic enhancement mode.

### Programming T<sub>RANGE</sub>

T<sub>RANGE</sub> defines the distance between T<sub>MIN</sub> and 100% PWM. For the ADT7467, ADT7468, and ADT7473, T<sub>RANGE</sub> is effectively a slope. For the ADT7475, ADT7476, and ADT7490, T<sub>RANGE</sub> is no longer a slope but defines the



temperature region where the PWM output linearly ramps from  $PWM_{MIN}$  to 100% PWM.

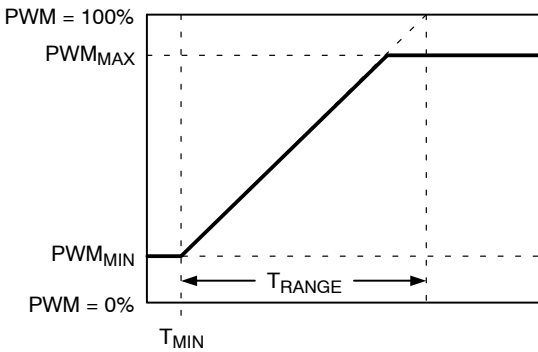


Figure 47.  $T_{RANGE}$

### Programming the Automatic Fan Speed Control Loop

To more efficiently understand the automatic fan speed control loop, using the ADT7490 evaluation board and software while reading this section is recommended.

This section provides the system designer with an understanding of the automatic fan control loop, and provides step-by-step guidance on effectively evaluating and selecting critical system parameters. To optimize the system characteristics, the designer needs to give some thought to system configuration, including the number of fans, where they are located, and what temperatures are being measured in the particular system.

The mechanical or thermal engineer who is tasked with the system thermal characterization should also be involved at the beginning of the system development process.

### Manual Fan Control Overview

In unusual circumstances, it can be necessary to manually control the speed of the fans. Because the ADT7490 has an SMBus interface, a system can read back all necessary voltage, fan speed, and temperature information, and use this information to control the speed of the fans by writing to the current PWM duty cycle register (0x30, 0x31, and 0x32) of the appropriate fan. Bits [7:5] of the PWMx configuration registers (0x5C, 0x5D, and 0x5E) are used to set fans up for manual control.

### THERM Operation in Manual Mode

In manual mode, if the temperature increases above the programmed  $\overline{THERM}$  temperature limit, the fans

automatically speed up to maximum PWM or 100% PWM, whichever way the appropriate fan channel is configured.

### Automatic Fan Control Overview

The ADT7490 can automatically control the speed of fans based on the measured temperature. This is done independently of CPU intervention once the initial parameters are set up.

The ADT7490 has a local temperature sensor and two remote temperature channels that can be connected to a CPU on-chip thermal diode (available on Intel® Pentium® class and other CPUs). These three temperature channels can be used as the basis for automatic fan speed control to drive fans using pulse-width modulation (PWM).

Automatic fan speed control reduces acoustic noise by optimizing fan speed according to accurately measured temperature. Reducing fan speed can also decrease system current consumption. The automatic fan speed control mode is very flexible due to the number of programmable parameters, including  $T_{MIN}$  and  $T_{RANGE}$ . The  $T_{MIN}$  and  $T_{RANGE}$  values for a temperature channel and, therefore, for a given fan are critical, because they define the thermal characteristics of the system. The thermal validation of the system is one of the most important steps in the design process, so these values should be selected carefully.

Figure 48 gives a top-level overview of the automatic fan control circuitry on the ADT7490. From a systems-level perspective, up to three system temperatures can be monitored and used to control three PWM outputs. The three PWM outputs can be used to control up to four fans. The ADT7490 allows the speed of four fans to be monitored. Each temperature channel has a thermal calibration block, allowing the designer to individually configure the thermal characteristics of each temperature channel. For example, users can decide to run the CPU fan when CPU temperature increases above 60°C and a chassis fan when the local temperature increases above 45°C.

At this stage, the designer has not assigned these thermal calibration settings to a particular fan drive (PWM) channel. The right side of Figure 48 shows controls that are fan-specific. The designer has individual control over parameters such as minimum PWM duty cycle, fan speed failure thresholds, and even ramp control of the PWM outputs. Automatic fan control ultimately allows graceful fan speed changes that are less perceptible to the system user.

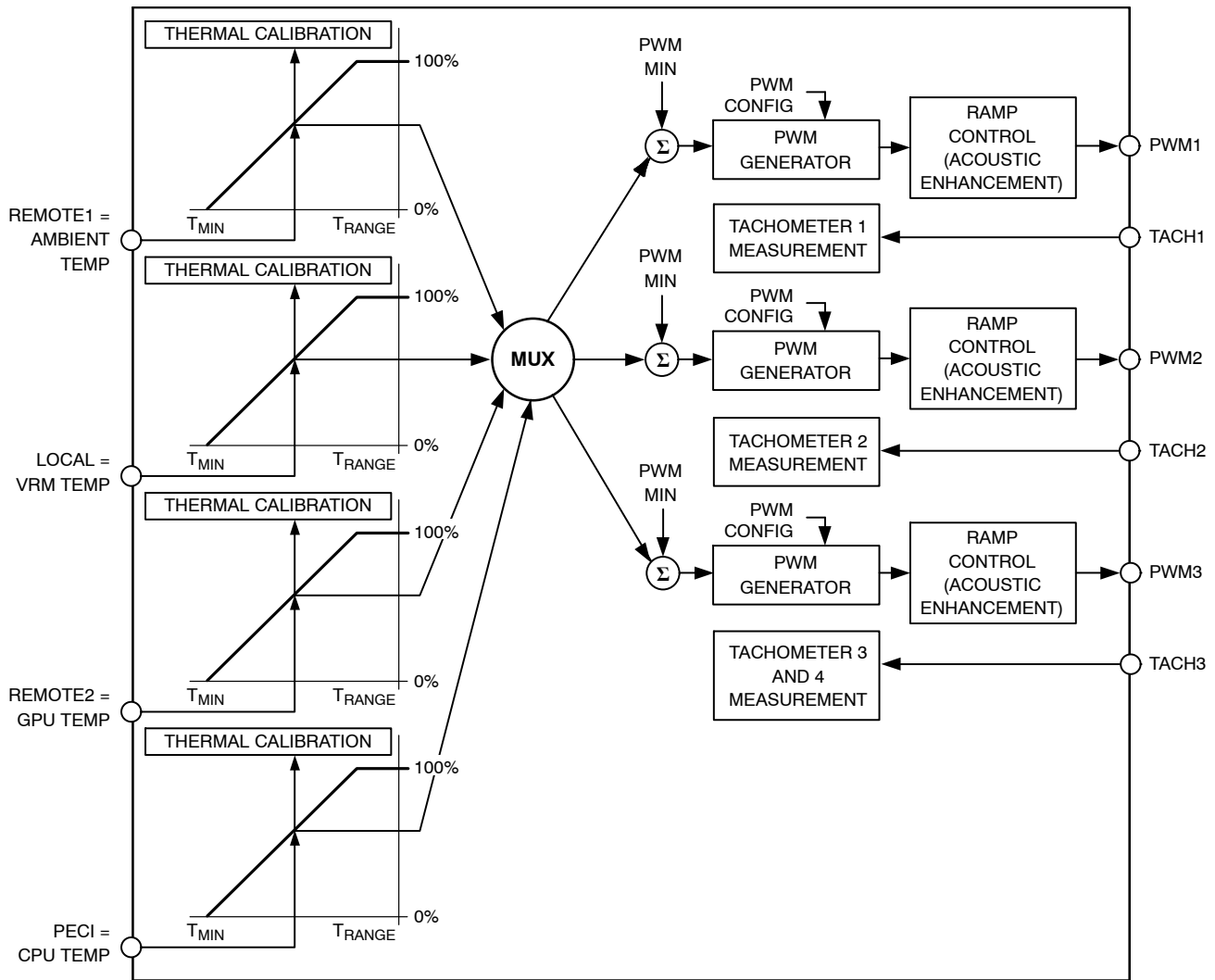


Figure 48. Automatic Fan Control Block Diagram

**Step 1: Hardware Configuration**

During system design, the motherboard sensing and control capabilities should be addressed early in the design stages. Decisions about how these capabilities are used should involve the system thermal/mechanical engineer. Ask the following questions:

- What ADT7490 functionality is used?
- PWM2 or SMBALERT?
- TACH4 fan speed measurement or overtemperature THERM function?
- 2.5 V<sub>IN</sub> voltage monitoring or overtemperature THERM function?

The ADT7490 offers multifunctional pins that can be reconfigured to suit different system requirements and physical layouts. These multifunction pins are software programmable.

- How many fans are supported in the system, three or four? This influences the choice of whether to use the TACH4 pin or to reconfigure it for the THERM function.

- Is the CPU fan to be controlled using the ADT7490, or will the CPU fan run at full speed 100% of the time?

If run at 100%, it frees up a PWM output, but the system is louder.

- Where is the ADT7490 going to be physically located in the system?

This influences the assignment of the temperature measurement channels to particular system thermal zones. For example, locating the ADT7490 close to the VRM controller circuitry allows the VRM temperature to be monitored using the local temperature channel.

**Step 2: Configuring the Multiplexer**

After the system hardware configuration is determined, the fans can be assigned to particular temperature channels. Not only can fans be assigned to individual channels, but the behavior of the fans is also configurable. For example, fans can be run under automatic fan control, can be run manually (under software control), or can be run at the fastest speed calculated by multiple temperature channels. The mux is the

bridge between temperature measurement channels and the three PWM outputs.

Bits [7:5] (BHVR) of Register 0x5C, Register 0x5D, and Register 0x5E (PWM configuration registers) control the behavior of the fans connected to the PWM1, PWM2, and PWM3 outputs, respectively. The values selected for these bits determine how the multiplexer connects a temperature measurement channel to a PWM output.

#### Automatic Fan Control Multiplexer Options

Bits [7:5] (BHVR), Register 0x5C, Register 0x5D, and Register 0x5E, with the ALT bit (Bit 3) cleared to 0.

- 000 = Remote 1 temperature controls PWMx
- 001 = Local temperature controls PWMx
- 010 = Remote 2 temperature controls PWMx
- 101 = Fastest speed calculated by local and Remote 2 temperature controls PWMx
- 110 = Fastest speed calculated by all three temperature channels controls PWMx

The fastest speed calculated options pertain to controlling one PWM output based on multiple temperature channels. The thermal characteristics of the three temperature zones can be set to drive a single fan. An example is the fan turning on when the Remote 1 temperature exceeds 60°C or if the local temperature exceeds 45°C.

Setting the ALT bit in Register 0x5C, Register 0x5D, and Register 0x5E gives alternative behavior settings for Bits [7:5] of the PWM configuration registers.

Bits [7:5] (BHVR), Register 0x5C, Register 0x5D, and Register 0x5E, with the ALT bit (Bit 3) set to 1.

- 000 = PECI0 reading controls PWMx
- 001 = PECI1 reading controls PWMx
- 010 = PECI2 reading controls PWMx
- 011 = PECI3 reading controls PWMx
- 101 = Fastest speed calculated by all four PECI readings controls PWMx
- 111 = Fastest speed calculated by all thermal zones (Local, Rem1, Rem2 and PECI) controls PWMx

#### Other Mux Options

Bits [7:5] (BHVR), Register 0x5C, Register 0x5D, and Register 0x5E, with the ALT bit (Bit 3) cleared to 0.

- 011 = PWMx runs full speed
- 100 = PWMx disabled (default)
- 111 = Manual mode. PWMx is running under software control. In this mode, PWM duty cycle registers (Register 0x30 to Register 0x32) are writable and control the PWM outputs.

Bits [7:5] (BHVR), Register 0x5C, Register 0x5D, and Register 0x5E, with the ALT bit (Bit 3) set to 1.

100 = PWMx runs at 100% duty cycle

110 = PWMx runs at 100% duty cycle

#### Step 3: T<sub>MIN</sub> Settings for Thermal Calibration Channels

T<sub>MIN</sub> is the temperature at which the fans start to turn on under automatic fan control. The speed at which the fan runs at T<sub>MIN</sub> is programmed later. The T<sub>MIN</sub> values chosen are temperature channel specific, for example, 25°C for ambient channel, 30°C for VRM temperature, and 40°C for processor temperature.

T<sub>MIN</sub> is an 8-bit value, either two's complement or Offset 64, that can be programmed in 1°C increments. A T<sub>MIN</sub> register is associated with each temperature measurement channel: Remote 1, local, Remote 2 and PECI temperature. When the T<sub>MIN</sub> value is exceeded, the fan turns on and runs at the minimum PWM duty cycle. The fan turns off once the temperature has dropped below T<sub>MIN</sub> - T<sub>HYST</sub>.

To overcome fan inertia, the fan is spun up until two valid TACH rising edges are counted. See the Fan Startup Timeout section for more details. In some cases, primarily for psycho-acoustic reasons, it is desirable that the fan never switch off below T<sub>MIN</sub>. When set, Bits [7:5] of Enhanced Acoustics Register 1 (0x62) keep the fans running at the PWM minimum duty cycle if the temperature should fall below T<sub>MIN</sub>.

**Table 39. T<sub>MIN</sub> REGISTERS**

| Register | Description                           | Default      |
|----------|---------------------------------------|--------------|
| 0x67     | Remote 1 Temperature T <sub>MIN</sub> | 0x5A (90°C)  |
| 0x68     | Local Temperature T <sub>MIN</sub>    | 0x5A (90°C)  |
| 0x69     | Remote 2 Temperature T <sub>MIN</sub> | 0x5A (90°C)  |
| 0x3B     | PECI T <sub>MIN</sub>                 | 0xE0 (-32°C) |

#### Enhanced Acoustics Register 1 (Register 0x62)

Bit 7 (MIN3) = 0, PWM3 is off (0% PWM duty cycle) when the temperature is below T<sub>MIN</sub> - T<sub>HYST</sub>.

Bit 7 (MIN3) = 1, PWM3 runs at PWM3 minimum duty cycle below T<sub>MIN</sub> - T<sub>HYST</sub>.

Bit 6 (MIN2) = 0, PWM2 is off (0% PWM duty cycle) when the temperature is below T<sub>MIN</sub> - T<sub>HYST</sub>.

Bit 6 (MIN2) = 1, PWM2 runs at PWM2 minimum duty cycle below T<sub>MIN</sub> - T<sub>HYST</sub>.

Bit 5 (MIN1) = 0, PWM1 is off (0% PWM duty cycle) when the temperature is below T<sub>MIN</sub> - T<sub>HYST</sub>.

Bit 5 (MIN1) = 1, PWM1 runs at PWM1 minimum duty cycle below T<sub>MIN</sub> - T<sub>HYST</sub>.

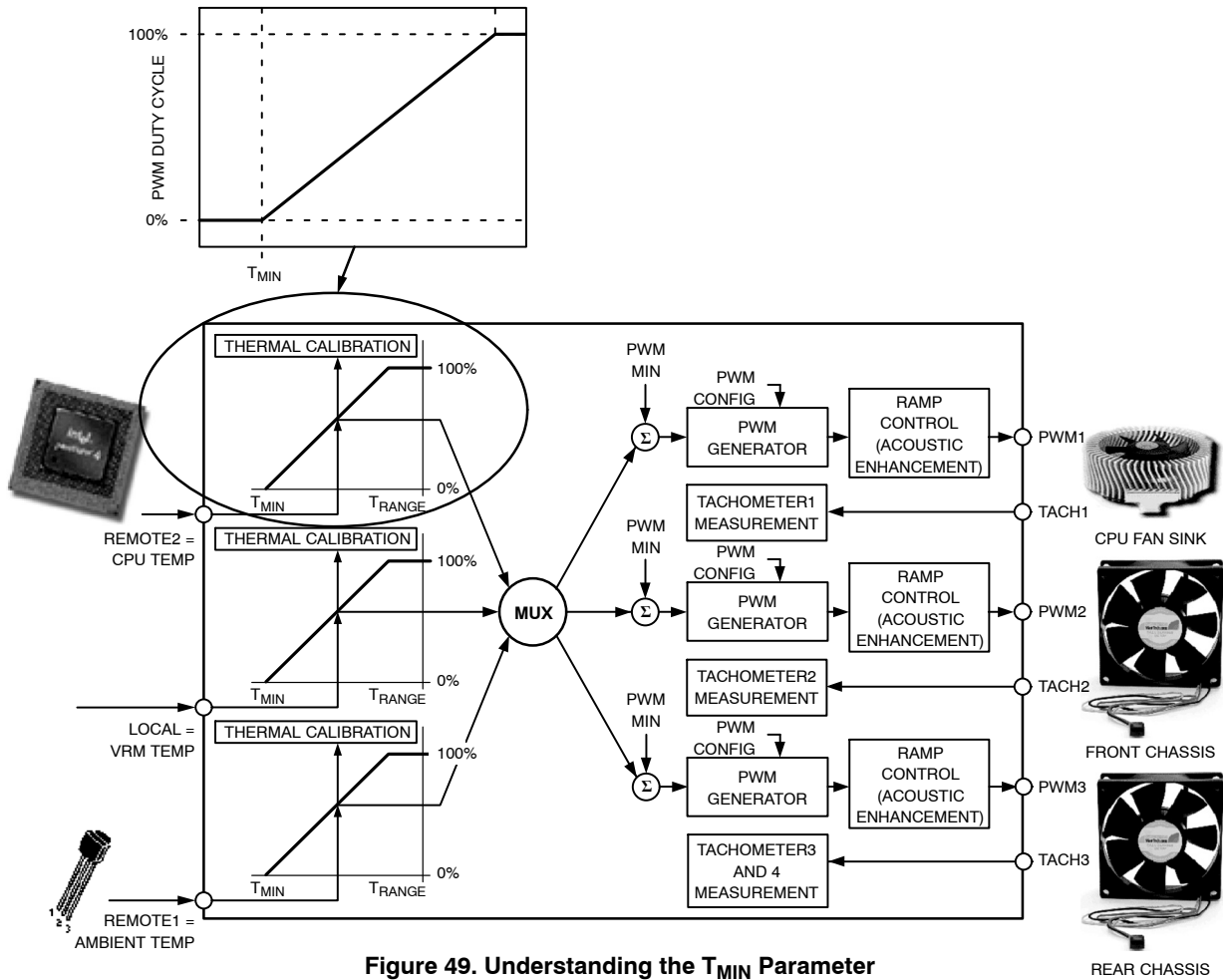


Figure 49. Understanding the  $T_{MIN}$  Parameter

**Step 4: PWM<sub>MIN</sub> for Each PWM (Fan) Output**

PWM<sub>MIN</sub> is the minimum PWM duty cycle at which each fan in the system runs. It is also the start speed for each fan under automatic fan control once the temperature rises above  $T_{MIN}$ . For maximum system acoustic benefit, PWM<sub>MIN</sub> should be as low as possible. Depending on the fan used, the PWM<sub>MIN</sub> setting is usually in the 20% to 33% duty cycle range. This value can be found through fan validation.

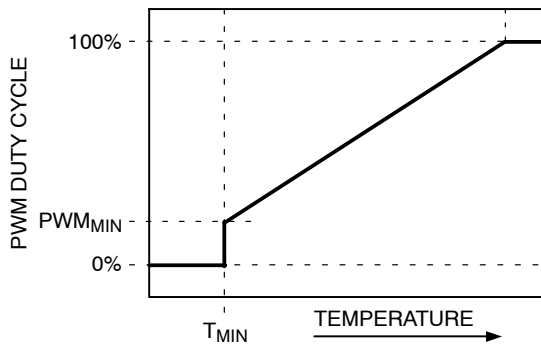
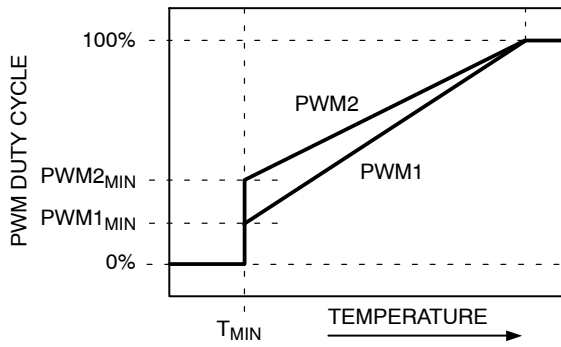


Figure 50. PWM<sub>MIN</sub> Determines Minimum PWM Duty Cycle

More than one PWM output can be controlled from a single temperature measurement channel. For example, Remote 1 temperature can control PWM1 and PWM2 outputs. If two different fans are used on PWM1 and PWM2, the fan characteristics can be set up differently. As a result, Fan 1 driven by PWM1 can have a different PWM<sub>MIN</sub> value than that of Fan 2 connected to PWM2. Figure 51 illustrates this as PWM1<sub>MIN</sub> (front fan) turned on at a minimum duty cycle of 20%, while PWM2<sub>MIN</sub> (rear fan) is turned on at a minimum of 40% duty cycle. Note that both fans turn on at exactly the same temperature, defined by  $T_{MIN}$ .



**Figure 51. Operating Two Different Fans from a Single Temperature Channel**

**Programming the PWM<sub>MIN</sub> Registers**

The PWM<sub>MIN</sub> registers are 8-bit registers that allow the minimum PWM duty cycle for each output to be configured anywhere from 0% to 100%. This allows the minimum PWM duty cycle to be set in steps of 0.39%.

The value to be programmed into the PWM<sub>MIN</sub> register is given by:

$$\text{Value (decimal)} = \text{PWM}_{\text{MIN}}/0.39\%$$

**Example 1**

For a minimum PWM duty cycle of 50%,

$$\text{Value (decimal)} = 50\%/0.39\% = 128 \text{ (decimal)}$$

$$\text{Value} = 128 \text{ (decimal) or } 0x80 \text{ (hexadecimal)}$$

**Example 2**

For a minimum PWM duty cycle of 33%,

$$\text{Value (decimal)} = 33\%/0.39\% = 85 \text{ (decimal)}$$

$$\text{Value} = 85 \text{ (decimal) or } 0x54 \text{ (hexadecimal)}$$

**Table 40. PWM<sub>MIN</sub> REGISTERS**

| Register | Description             | Default    |
|----------|-------------------------|------------|
| 0x64     | PWM1 Minimum Duty Cycle | 0x80 (50%) |
| 0x65     | PWM2 Minimum Duty Cycle | 0x80 (50%) |
| 0x66     | PWM3 Minimum Duty Cycle | 0x80 (50%) |

**Note on Fan Speed and PWM Duty Cycle**

The PWM duty cycle does not directly correlate to fan speed in RPM. Running a fan at 33% PWM duty cycle does not equate to running the fan at 33% speed. Driving a fan at 33% PWM duty cycle actually runs the fan at closer to 50% of its full speed. This is because fan speed in %RPM generally relates to the square root of PWM duty cycle. Given a PWM square wave as the drive signal, fan speed in RPM approximates to

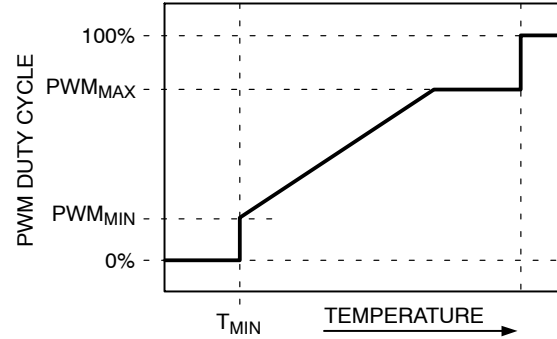
$$\% \text{ fanspeed} = \sqrt{\text{PWM Duty Cycle}} \times 10 \quad (\text{eq. 7})$$

**Step 5: PWM<sub>MAX</sub> for PWM (Fan) Outputs**

PWM<sub>MAX</sub> is the maximum duty cycle that each fan in the system runs at under the automatic fan speed control loop. For maximum system acoustic benefit, PWM<sub>MAX</sub> should be

as low as possible, but should be capable of maintaining the processor temperature limit at an acceptable level. If the THERM temperature limit is exceeded, the fans are still boosted to 100% for fail-safe cooling.

There is a PWM<sub>MAX</sub> limit for each fan channel. The default value of this register is 0xFF and has no effect unless it is programmed.



**Figure 52. PWM<sub>MAX</sub> Determines Maximum PWM Duty Cycle Below the THERM Temperature Limit**

**Programming the PWM<sub>MAX</sub> Registers**

The PWM<sub>MAX</sub> registers are 8-bit registers that allow the maximum PWM duty cycle for each output to be configured anywhere from 0% to 100%. This allows the maximum PWM duty cycle to be set in steps of 0.39%.

The value to be programmed into the PWM<sub>MAX</sub> register is given by:

$$\text{Value (decimal)} = \text{PWM}_{\text{MAX}}/0.39\%$$

**Example 1**

For a maximum PWM duty cycle of 50%,

$$\text{Value (decimal)} = 50\%/0.39\% = 128 \text{ (decimal)}$$

$$\text{Value} = 128 \text{ (decimal) or } 0x80 \text{ (hexadecimal)}$$

**Example 2**

For a maximum PWM duty cycle of 75%,

$$\text{Value (decimal)} = 75\%/0.39\% = 192 \text{ (decimal)}$$

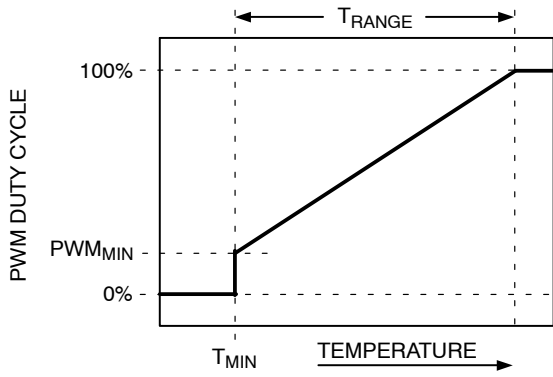
$$\text{Value} = 192 \text{ (decimal) or } 0xC0 \text{ (hexadecimal)}$$

**Table 41. PWM<sub>MAX</sub> REGISTERS**

| Register | Description             | Default     |
|----------|-------------------------|-------------|
| 0x38     | PWM1 Maximum Duty Cycle | 0xFF (100%) |
| 0x39     | PWM2 Maximum Duty Cycle | 0xFF (100%) |
| 0x3A     | PWM3 Maximum Duty Cycle | 0xFF (100%) |

**Step 6: T<sub>RANGE</sub> for Temperature Channels**

T<sub>RANGE</sub> is the range of temperature over which automatic fan control occurs once the programmed T<sub>MIN</sub> temperature has been exceeded. T<sub>RANGE</sub> is the temperature range between PWM<sub>MIN</sub> and 100% PWM where the fan speed changes linearly. Otherwise stated, it is the line drawn between the T<sub>MIN</sub>/PWM<sub>MIN</sub> and the (T<sub>MIN</sub> + T<sub>RANGE</sub>)/100% PWM intersection points.

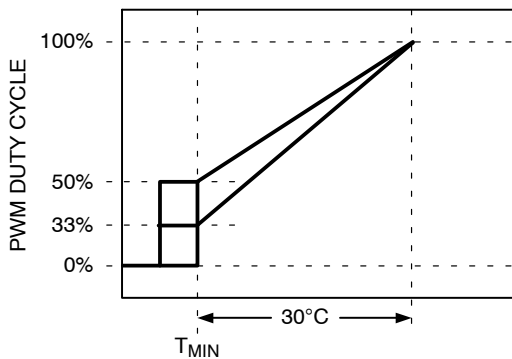


**Figure 53. T<sub>RANGE</sub> Parameter Affects Cooling Slope**

The T<sub>RANGE</sub> is determined by the following procedure:

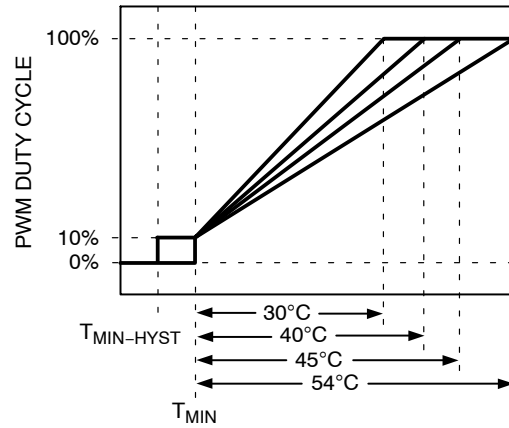
1. Determine the maximum operating temperature for that channel (for example, 70°C).
2. Determine experimentally the fan speed (PWM duty cycle value) that does not exceed the temperature at the worst-case operating points. For example, 70°C is reached when the fans are running at 50% PWM duty cycle.
3. Determine the slope of the required control loop to meet these requirements.
4. Using the ADT7490 evaluation software, graphically program and visualize this functionality. Ask a local Analog Devices representative for details.

As PWM<sub>MIN</sub> is changed, the automatic fan control slope changes.

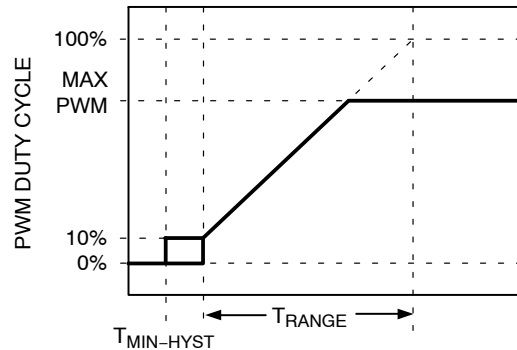


**Figure 54. Adjusting PWM<sub>MIN</sub> Changes the Automatic Fan Control Slope**

As T<sub>RANGE</sub> is changed, the slope changes. As T<sub>RANGE</sub> gets smaller, the fans reach 100% speed with a smaller temperature change.



**Figure 55. Increasing T<sub>RANGE</sub> Changes the AFC Slope**



**Figure 56. Changing PWM<sub>MAX</sub> Does Not Change the AFC Slope**

**Selecting T<sub>RANGE</sub>**

The T<sub>RANGE</sub> value can be selected for each temperature channel: Remote 1, local, Remote 2, and PECE temperature. Bits [7:4] (T<sub>RANGE</sub>) of Register 0x5F to Register 0x61 and Register 0x3C define the T<sub>RANGE</sub> value for each temperature channel.

**Table 42. SELECTING A T<sub>RANGE</sub> VALUE**

| Bits [7:4] (Note 1) | T <sub>RANGE</sub> (°C) |
|---------------------|-------------------------|
| 0000                | 2                       |
| 0001                | 2.5                     |
| 0010                | 3.33                    |
| 0011                | 4                       |
| 0100                | 5                       |
| 0101                | 6.67                    |
| 0110                | 8                       |
| 0111                | 10                      |
| 1000                | 13.33                   |
| 1001                | 16                      |
| 1010                | 20                      |
| 1011                | 26.67                   |
| 1100                | 32 (default)            |
| 1101                | 40                      |
| 1110                | 53.33                   |
| 1111                | 80                      |

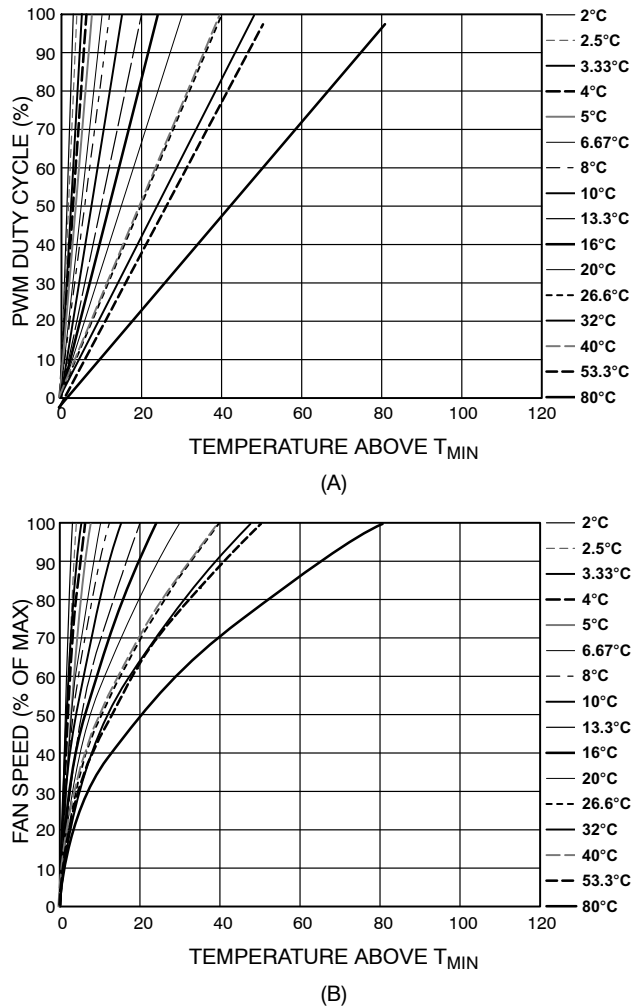
1. Register 0x5F configures Remote 1 T<sub>RANGE</sub>; Register 0x60 configures local T<sub>RANGE</sub>; Register 0x61 configures Remote 2 T<sub>RANGE</sub>, Register 0x3C configures PECE T<sub>RANGE</sub>.

**Actual Changes in PWM Output  
(Advanced Acoustics Settings)**

While the automatic fan control algorithm describes the general response of the PWM output, it is also necessary to note that the enhanced acoustics registers (0x62, 0x63, and 0x3C) can be used to set/clamp the maximum rate of change of PWM output for a given temperature zone. This means that if  $T_{RANGE}$  is programmed with an AFC slope that is quite steep, a relatively small change in temperature could cause a large change in PWM output and possibly an audible change in fan speed, which can be noticeable/annoying to end users.

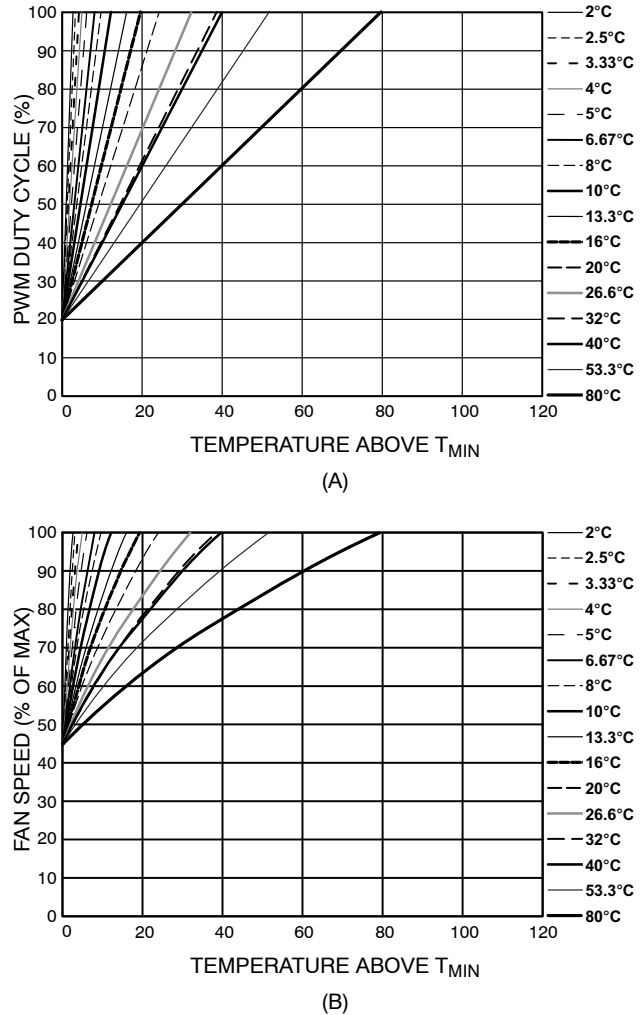
Decreasing the speed of the PWM output changes by programming the smoothing on the appropriate temperature channels (Register 0x62 and Register 0x63) changes how fast the fan speed increases/decreases in the event of a temperature spike. Slowly the PWM duty cycle increases until the PWM duty cycle reaches the appropriate duty cycle as defined by the AFC curve.

Figure 57 shows PWM duty cycle vs. temperature for each  $T_{RANGE}$  setting. Figure 57B shows how each  $T_{RANGE}$  setting affects fan speed vs. temperature. As can be seen from the graph, the effect on fan speed is nonlinear.



**Figure 57.  $T_{RANGE}$  vs. Actual Fan Speed  
(Not PWM Drive) Profile**

The graphs in Figure 57 assume the fan starts from 0% PWM duty cycle. Clearly, the minimum PWM duty cycle,  $PWM_{MIN}$ , needs to be factored in to see how the loop actually performs in the system. Figure 58 shows how  $T_{RANGE}$  is affected when the  $PWM_{MIN}$  value is set to 20%. It can be seen that the fan actually runs at about 45% fan speed when the temperature exceeds  $T_{MIN}$ .



**Figure 58.  $T_{RANGE}$  and % Fan Speed Slopes with  
 $PWM_{MIN} = 20\%$**

**Step 7:  $T_{THERM}$  for Temperature Channels**

$T_{THERM}$  is the absolute maximum temperature allowed on a temperature channel. For PECE temperature channels, the equivalent parameter is  $T_{CONTROL}$ . Above this temperature, a component such as the CPU or VRM may be operating beyond its safe operating limit. When the temperature measured exceeds  $T_{THERM}$ , all fans are driven at 100% PWM duty cycle (full speed) to provide critical system cooling.

The fans remain running at 100% until the temperature drops below  $T_{THERM}$  minus hysteresis, where hysteresis is the number programmed into the hysteresis registers (0x6D and 0x6E). The default hysteresis value is 4°C.

The  $T_{THERM}$  limit should be considered the maximum worst-case operating temperature of the system. Because exceeding any  $T_{THERM}$  limit runs all fans at 100%, it has very negative acoustic effects. Ultimately, this limit should be set up as a fail-safe, and one should ensure that it is not exceeded under normal system operating conditions.

Note that  $T_{THERM}$  limits are non-maskable and affect the fan speed no matter how automatic fan control settings are configured. This allows some flexibility, because a  $T_{RANGE}$  value can be selected based on its slope, while a hard limit (such as 70°C), can be programmed as  $T_{MAX}$  (the temperature at which the fan reaches full speed) by setting  $T_{THERM}$  to that limit (for example, 70°C).

Table 43.  $T_{THERM}$  REGISTERS

| Register | Description                | Default      |
|----------|----------------------------|--------------|
| 0x6A     | Remote 1 $T_{THERM}$ Limit | 0x64 (100°C) |
| 0x6B     | Local $T_{THERM}$ Limit    | 0x64 (100°C) |
| 0x6C     | Remote 2 $T_{THERM}$ Limit | 0x64 (100°C) |
| 0x3D     | PECI $T_{CONTROL}$ Limit   | 0x00 (0°C)   |

**THERM Hysteresis**

$T_{THERM}$  hysteresis on a particular channel is configured via the hysteresis settings in the following section (0x6D and 0x6E). For example, setting hysteresis on the Remote 1 channel also sets the hysteresis on Remote 1  $T_{THERM}$ .

**Hysteresis Registers**

Register 0x6D, Remote 1, Local Hysteresis Register

Bits [7:4], Remote 1 Temperature Hysteresis (4°C default)

Bits [3:0], Local Temperature Hysteresis (4°C default)

Register 0x6E, Remote 2, PECE Temperature Hysteresis Register

Bits [7:4], Remote 2 Temperature Hysteresis (4°C default)

Bits [3:0], PECE Temperature Hysteresis (4°C default)

Because each hysteresis setting is four bits, hysteresis values are programmable from 1°C to 15°C. It is not recommended that hysteresis values ever be programmed to 0°C, because this disables hysteresis. In effect, this causes the fans to cycle (during a  $T_{THERM}$  event) between normal speed and 100% speed, or, while operating close to  $T_{MIN}$ , between normal speed and off, creating unsettling acoustic noise.

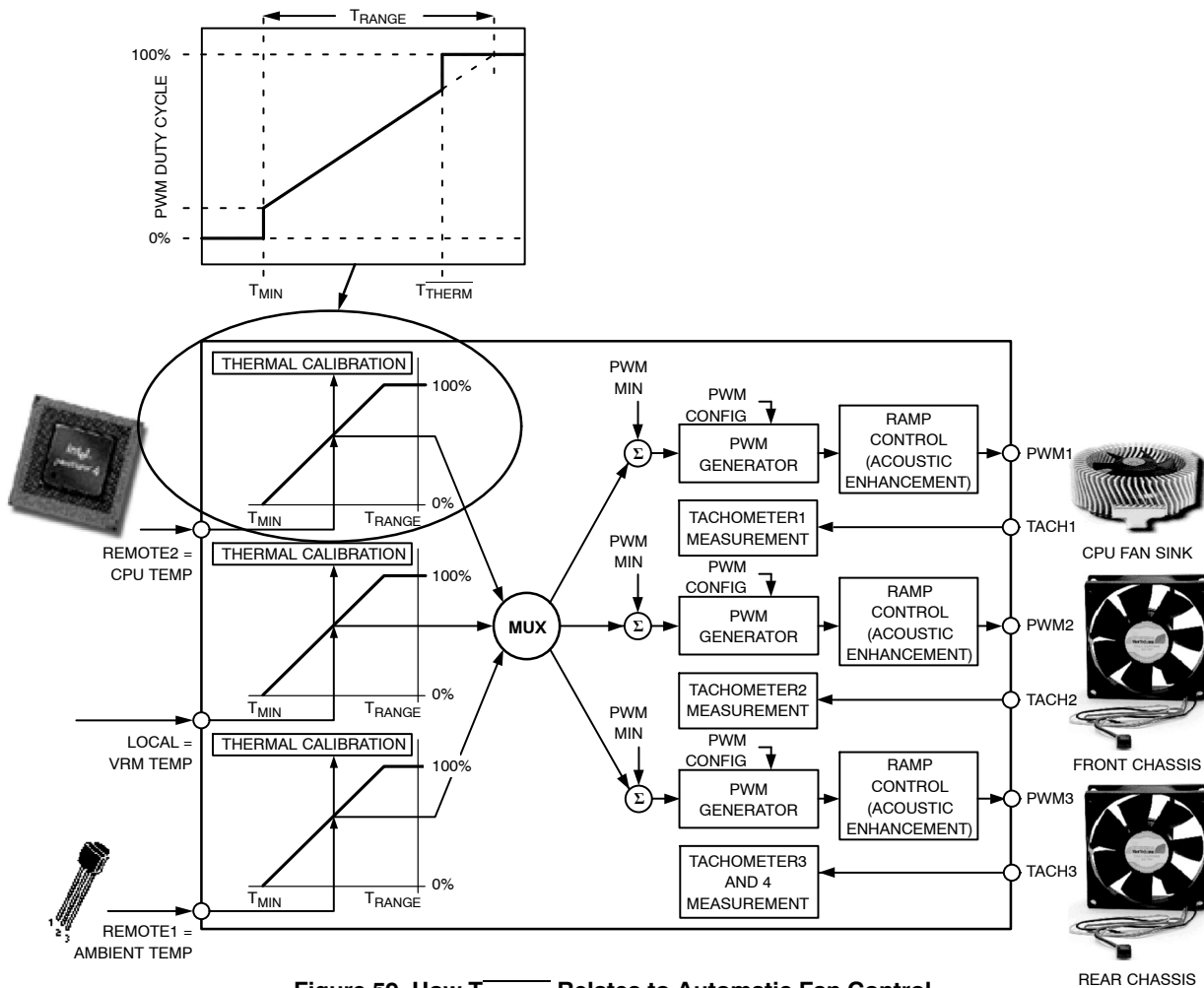


Figure 59. How  $T_{THERM}$  Relates to Automatic Fan Control



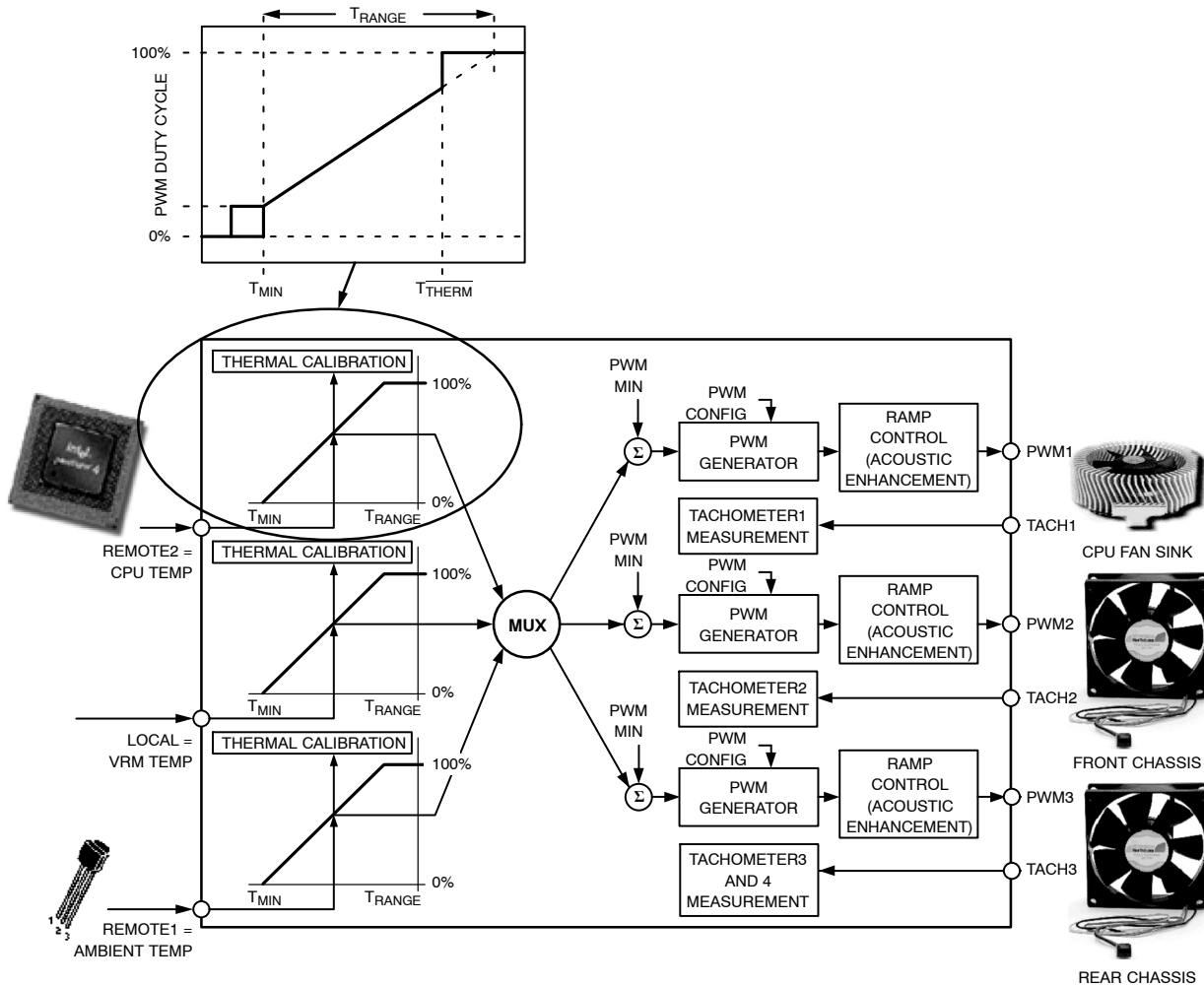
**Step 8: T<sub>HYST</sub> for Temperature Channels**

T<sub>HYST</sub> is the amount of extra cooling a fan provides after the temperature measured has dropped back below T<sub>MIN</sub> before the fan turns off. The premise for temperature hysteresis (T<sub>HYST</sub>) is that, without it, the fan would merely chatter, or cycle on and off regularly, whenever the temperature is hovering at about the T<sub>MIN</sub> setting.

The T<sub>HYST</sub> value chosen determines the amount of time needed for the system to cool down or heat up as the fan is turning on and off. Values of hysteresis are programmable in the range of 1°C to 15°C. Larger values of T<sub>HYST</sub> prevent the fans from chattering on and off. The T<sub>HYST</sub> default value is set at 4°C.

The T<sub>HYST</sub> setting applies not only to the temperature hysteresis for fan on/off, but the same setting is used for the T<sub>THERM</sub> hysteresis value, described in the Step 7: T<sub>THERM</sub> for Temperature Channels section. Therefore, programming Register 0x6D and Register 0x6E sets the hysteresis for both fan on/off and the T<sub>THERM</sub> function.

In some applications, it is required that fans not turn off below T<sub>MIN</sub>, but remain running at PWM<sub>MIN</sub>. Bits [7:5] of Enhanced Acoustics Register 1 (0x62) allow the fans to be turned off or to be kept spinning below T<sub>MIN</sub>. If the fans are always on, the T<sub>HYST</sub> value has no effect on the fan when the temperature drops below T<sub>MIN</sub>.



**Figure 60. The T<sub>HYST</sub> Value Applies to Fan On/Off Hysteresis and T<sub>THERM</sub> Hysteresis**

**T<sub>THERM</sub> Hysteresis**

Any hysteresis programmed via Register 0x6D and Register 0x6E also applies hysteresis on the appropriate T<sub>THERM</sub> channel.

**Enhanced Acoustics Register 1 (Register 0x62)**

Bit 7 (MIN3) = 0, PWM3 is off (0% PWM duty cycle) when temperature is below T<sub>MIN</sub> - T<sub>HYST</sub>.

Bit 7 (MIN3) = 1, PWM3 runs at PWM3 minimum duty cycle below T<sub>MIN</sub> - T<sub>HYST</sub>.

Bit 6 (MIN2) = 0, PWM2 is off (0% PWM duty cycle) when the temperature is below T<sub>MIN</sub> - T<sub>HYST</sub>.

Bit 6 (MIN2) = 1, PWM2 runs at PWM2 minimum duty cycle below T<sub>MIN</sub> - T<sub>HYST</sub>.

Bit 5 (MIN1) = 0, PWM1 is off (0% PWM duty cycle) when the temperature is below  $T_{MIN} - T_{HYST}$ .

Bit 5 (MIN1) = 1, PWM1 runs at PWM1 minimum duty cycle below  $T_{MIN} - T_{HYST}$ .

**Configuration Register 6 (Register 0x10)**

Bit 0 (SLOW) = 1, slows the ramp rate for PWM changes associated with the Remote 1 temperature channel by 4.

Bit 1 (SLOW) = 1, slows the ramp rate for PWM changes associated with the local temperature channel by 4.

Bit 2 (SLOW) = 1, slows the ramp rate for PWM changes associated with the Remote 2 temperature channel by 4.

Bit 7 (ExtraSlow) = 1, slows the ramp rate for all fans by a factor of 39.2%.

The following sections list the ramp-up times when the SLOW bit is set for each temperature monitoring channel.

**Enhanced Acoustics Register 1 (Register 0x62)**

Bits [2:0] ACOU, selects the ramp rate for PWM outputs associated with the Remote Temperature 1 input.

- 000 = 37.5 sec
- 001 = 18.8 sec
- 010 = 12.5 sec
- 011 = 7.5 sec
- 100 = 4.7 sec
- 101 = 3.1 sec
- 110 = 1.6 sec
- 111 = 0.8 sec

**Enhanced Acoustics Register 2 (Register 0x63)**

Bits [2:0] ACOU3, selects the ramp rate for PWM outputs associated with the local temperature channel.

- 000 = 37.5 sec
- 001 = 18.8 sec
- 010 = 12.5 sec
- 011 = 7.5 sec
- 100 = 4.7 sec
- 101 = 3.1 sec
- 110 = 1.6 sec
- 111 = 0.8 sec

[6:4] ACOU2, selects the ramp rate for PWM outputs associated with the Remote Temperature 2 input.

- 000 = 37.5 sec
- 001 = 18.8 sec
- 010 = 12.5 sec
- 011 = 7.5 sec
- 100 = 4.7 sec
- 101 = 3.1 sec
- 110 = 1.6 sec
- 111 = 0.8 sec

When Bit 7 of Configuration Register 6 (0x10) = 1, the preceding ramp rates change to

- 000 = 52.2 sec
- 001 = 26.1 sec
- 010 = 17.4 sec
- 011 = 10.4 sec
- 100 = 6.5 sec
- 101 = 4.4 sec
- 110 = 2.2 sec
- 111 = 1.1 sec

Setting the appropriate SLOW Bit 2, Bit 1, or Bit 0 of Configuration Register 6 (0x10) slows the ramp rate further by a factor of 4.

**Programming the GPIOs**

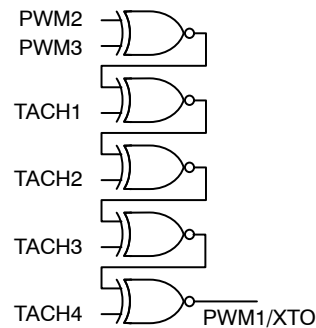
The ADT7490 has two dedicated GPIOs (Pin 5 and Pin 6). The direction (input or output) and polarity (active high or active low) of the GPIOs is set in the GPIO Configuration Register (0x80). Bit 2 and Bit 3 of Register 0x80 also reflect the state of the GPIO pins when configured as inputs and assert the GPIO pins when configured as outputs.

**XNOR Tree Test Mode**

The ADT7490 includes an XNOR tree test mode. This mode is useful for in-circuit test equipment at board-level testing. By applying stimulus to the pins included in the XNOR tree, it is possible to detect opens, or shorts, on the system board.

The XNOR tree test is invoked by setting Bit 0 (XEN) of the XNOR Tree Test Enable register (Register 0x6F).

Figure 61 shows the signals that are exercised in the XNOR tree test mode.



**Figure 61. XNOR Tree Test**

# ADT7490

## Register Tables

**Table 44. ADT7490 REGISTERS**

| Addr | R/W | Desc                             | Bit 7            | Bit 6                   | Bit 5           | Bit 4           | Bit 3  | Bit 2               | Bit 1         | Bit 0               | De-<br>fault | Lock-<br>able |
|------|-----|----------------------------------|------------------|-------------------------|-----------------|-----------------|--------|---------------------|---------------|---------------------|--------------|---------------|
| 0x10 | R/W | Config.<br>Reg. 6                | Extra<br>Slow    | V <sub>CCP</sub><br>Low | Res             | Res             | Res    | SLOW<br>Remote<br>2 | SLOW<br>Local | SLOW<br>Remote<br>1 | 0x00         | Yes           |
| 0x11 | R/W | Config.<br>Reg. 7                | RES              | RES                     | RES             | TODIS           | FSPDIS | Vx1                 | FSPD          | THERM<br>Hys        | 0x00         | Yes           |
| 0x12 | R   | Extended<br>Revision             | RES              | RES                     | RES             | RES             | RES    | RES                 | RES           | –                   | –            | –             |
| 0x1A | R   | PECI1                            | 7                | 6                       | 5               | 4               | 3      | 2                   | 1             | 0                   | 0x80         | –             |
| 0x1B | R   | PECI2                            | 7                | 6                       | 5               | 4               | 3      | 2                   | 1             | 0                   | 0x80         | –             |
| 0x1C | R   | PECI3                            | 7                | 6                       | 5               | 4               | 3      | 2                   | 1             | 0                   | 0x80         | –             |
| 0x1D | R   | I <sub>MON</sub><br>Meas.        | 9                | 8                       | 7               | 6               | 5      | 4                   | 3             | 2                   | 0x00         | –             |
| 0x1E | R   | V <sub>TT</sub><br>Meas.         | 9                | 8                       | 7               | 6               | 5      | 4                   | 3             | 2                   | 0x00         | –             |
| 0x1F | R   | Extended<br>Resolution<br>3      | I <sub>MON</sub> | I <sub>MON</sub>        | V <sub>TT</sub> | V <sub>TT</sub> | RES    | RES                 | RES           | RES                 | 0x00         | –             |
| 0x20 | R   | +2.5V <sub>IN</sub><br>Meas.     | 9                | 8                       | 7               | 6               | 5      | 4                   | 3             | 2                   | 0x00         | –             |
| 0x21 | R   | V <sub>CCP</sub><br>Meas.        | 9                | 8                       | 7               | 6               | 5      | 4                   | 3             | 2                   | 0x00         | –             |
| 0x22 | R   | V <sub>CC</sub><br>Meas.         | 9                | 8                       | 7               | 6               | 5      | 4                   | 3             | 2                   | 0x00         | –             |
| 0x23 | R   | +5V <sub>IN</sub><br>Meas.       | 9                | 8                       | 7               | 6               | 5      | 4                   | 3             | 2                   | 0x00         | –             |
| 0x24 | R   | +12V <sub>IN</sub><br>Meas.      | 9                | 8                       | 7               | 6               | 5      | 4                   | 3             | 2                   | 0x00         | –             |
| 0x25 | R   | Remote 1<br>Temp.                | 9                | 8                       | 7               | 6               | 5      | 4                   | 3             | 2                   | 0x80         | –             |
| 0x26 | R   | Local<br>Temp.                   | 9                | 8                       | 7               | 6               | 5      | 4                   | 3             | 2                   | 0x80         | –             |
| 0x27 | R   | Remote 2<br>Temp.                | 9                | 8                       | 7               | 6               | 5      | 4                   | 3             | 2                   | 0x80         | –             |
| 0x28 | R   | TACH1<br>Low Byte                | 7                | 6                       | 5               | 4               | 3      | 2                   | 1             | 0                   | 0x00         | –             |
| 0x29 | R   | TACH1<br>High Byte               | 15               | 14                      | 13              | 12              | 11     | 10                  | 9             | 8                   | 0x00         | –             |
| 0x2A | R   | TACH2<br>Low Byte                | 7                | 6                       | 5               | 4               | 3      | 2                   | 1             | 0                   | 0x00         | –             |
| 0x2B | R   | TACH2<br>High Byte               | 15               | 14                      | 13              | 12              | 11     | 10                  | 9             | 8                   | 0x00         | –             |
| 0x2C | R   | TACH3<br>Low Byte                | 7                | 6                       | 5               | 4               | 3      | 2                   | 1             | 0                   | 0x00         | –             |
| 0x2D | R   | TACH3<br>High Byte               | 15               | 14                      | 13              | 12              | 11     | 10                  | 9             | 8                   | 0x00         | –             |
| 0x2E | R   | TACH4<br>Low Byte                | 7                | 6                       | 5               | 4               | 3      | 2                   | 1             | 0                   | 0x00         | –             |
| 0x2F | R   | TACH4<br>High Byte               | 15               | 14                      | 13              | 12              | 11     | 10                  | 9             | 8                   | 0x00         | –             |
| 0x30 | R/W | PWM1<br>Current<br>Duty<br>Cycle | 7                | 6                       | 5               | 4               | 3      | 2                   | 1             | 0                   | 0xFF         | –             |
| 0x31 | R/W | PWM2<br>Current<br>Duty<br>Cycle | 7                | 6                       | 5               | 4               | 3      | 2                   | 1             | 0                   | 0xFF         | –             |

# ADT7490

**Table 44. ADT7490 REGISTERS** (continued)

| Addr | R/W | Desc  | Bit 7       | Bit 6       | Bit 5                 | Bit 4           | Bit 3                           | Bit 2           | Bit 1            | Bit 0                          | De-<br>fault | Lock-<br>able |
|------|-----|---|-------------|-------------|-----------------------|-----------------|---------------------------------|-----------------|------------------|--------------------------------|--------------|---------------|
| 0x32 | R/W | PWM3<br>Current<br>Duty<br>Cycle                      | 7           | 6           | 5                     | 4               | 3                               | 2               | 1                | 0                              | 0xFF         | -             |
| 0x33 | R   | PECI0   | 7           | 6           | 5                     | 4               | 3                               | 2               | 1                | 0                              | 0x80         | -             |
| 0x34 | R/W | PECI Low<br>Limit                                     | 7           | 6           | 5                     | 4               | 3                               | 2               | 1                | 0                              | 0x81         | -             |
| 0x35 | R/W | PECI<br>High Limit                                    | 7           | 6           | 5                     | 4               | 3                               | 2               | 1                | 0                              | 0x00         | -             |
| 0x36 | R/W | PECI<br>Config.<br>Register 1                         | RES         | RES         | RES                   | RE-<br>PLACE    | DOM0                            | AVG2            | AVG1             | AVG0                           | 0x00         | Yes           |
| 0x38 | R/W | Max<br>PWM1<br>Duty<br>Cycle                          | 7           | 6           | 5                     | 4               | 3                               | 2               | 1                | 0                              | 0xFF         | Yes           |
| 0x39 | R/W | Max<br>PWM2<br>Duty<br>Cycle                          | 7           | 6           | 5                     | 4               | 3                               | 2               | 1                | 0                              | 0xFF         | Yes           |
| 0x3A | R/W | Max<br>PWM3<br>Duty<br>Cycle                          | 7           | 6           | 5                     | 4               | 3                               | 2               | 1                | 0                              | 0xFF         | Yes           |
| 0x3B | R/W | PECI<br>T <sub>MIN</sub>                              | 7           | 6           | 5                     | 4               | 3                               | 2               | 1                | 0                              | 0xE0         | Yes           |
| 0x3C | R/W | PECI<br>T <sub>RANGE</sub> /<br>Enhanced<br>Acoustics | RANGE       | RANGE       | RANGE                 | RANGE           | ENP                             | ACOU            | ACOU             | ACOU                           | 0xC0         | Yes           |
| 0x3D | R/W | PECI<br>T <sub>CONTROL</sub><br>Limit                 | 7           | 6           | 5                     | 4               | 3                               | 2               | 1                | 0                              | 0x00         | Yes           |
| 0x3E | R   | Company<br>ID No.                                     | 7           | 6           | 5                     | 4               | 3                               | 2               | 1                | 0                              | 0x41         | -             |
| 0x3F | R   | Version   | VER3        | VER2        | VER1                  | VER0            | 4-Wire                          | PECI            | REV1             | REV0                           | 0x06X        | -             |
| 0x40 | R/W | Config.<br>Register 1                                 | RES         | RES         | THERM<br>in<br>Manual | PECI<br>Monitor | Fan<br>Boost                    | RDY             | LOCK             | STRT                           | 0x04         | Yes           |
| 0x41 | R   | Interrupt<br>Status 1                                 | OOL         | R2T         | LT                    | R1T             | +5V <sub>IN</sub>               | V <sub>CC</sub> | V <sub>CCP</sub> | +2.5V <sub>IN</sub> /<br>THERM | 0x00         | -             |
| 0x42 | R   | Interrupt<br>Status 2                                 | D2<br>FAULT | D1<br>FAULT | FAN4/<br>THERM        | FAN3            | FAN2                            | FAN1            | OOL              | +12V <sub>IN</sub>             | 0x00         | -             |
| 0x43 | R   | Interrupt<br>Status 3                                 | OOL         | RES         | RES                   | RES             | OVT<br>(THERM<br>Temp<br>Limit) | COMM            | DATA             | PECI0                          | 0x00         | -             |
| 0x44 | R/W | +2.5V <sub>IN</sub><br>Low Limit                      | 7           | 6           | 5                     | 4               | 3                               | 2               | 1                | 0                              | 0x00         | -             |
| 0x45 | R/W | +2.5V <sub>IN</sub><br>High Limit                     | 7           | 6           | 5                     | 4               | 3                               | 2               | 1                | 0                              | 0xFF         | -             |
| 0x46 | R/W | V <sub>CCP</sub><br>Low Limit                         | 7           | 6           | 5                     | 4               | 3                               | 2               | 1                | 0                              | 0x00         | -             |
| 0x47 | R/W | V <sub>CCP</sub><br>High Limit                        | 7           | 6           | 5                     | 4               | 3                               | 2               | 1                | 0                              | 0xFF         | -             |
| 0x48 | R/W | V <sub>CC</sub><br>Low Limit                          | 7           | 6           | 5                     | 4               | 3                               | 2               | 1                | 0                              | 0x00         | -             |
| 0x49 | R/W | V <sub>CC</sub><br>High Limit                         | 7           | 6           | 5                     | 4               | 3                               | 2               | 1                | 0                              | 0xFF         | -             |
| 0x4A | R/W | +5V <sub>IN</sub><br>Low Limit                        | 7           | 6           | 5                     | 4               | 3                               | 2               | 1                | 0                              | 0x00         | -             |
| 0x4B | R/W | +5V <sub>IN</sub><br>High Limit                       | 7           | 6           | 5                     | 4               | 3                               | 2               | 1                | 0                              | 0xFF         | -             |

# ADT7490

**Table 44. ADT7490 REGISTERS** (continued)

| Addr | R/W | Desc   | Bit 7 | Bit 6 | Bit 5 | Bit 4 | Bit 3 | Bit 2 | Bit 1 | Bit 0 | De-<br>fault | Lock-<br>able |
|------|-----|--|-------|-------|-------|-------|-------|-------|-------|-------|--------------|---------------|
| 0x4C | R/W | +12V <sub>IN</sub><br>Low Limit                      | 7     | 6     | 5     | 4     | 3     | 2     | 1     | 0     | 0x00         | –             |
| 0x4D | R/W | +12V <sub>IN</sub><br>High Limit                     | 7     | 6     | 5     | 4     | 3     | 2     | 1     | 0     | 0xFF         | –             |
| 0x4E | R/W | Remote 1<br>Temp Low<br>Limit                        | 7     | 6     | 5     | 4     | 3     | 2     | 1     | 0     | 0x81         | –             |
| 0x4F | R/W | Remote 1<br>Temp<br>High Limit                       | 7     | 6     | 5     | 4     | 3     | 2     | 1     | 0     | 0x7F         | –             |
| 0x50 | R/W | Local<br>Temp Low<br>Limit                           | 7     | 6     | 5     | 4     | 3     | 2     | 1     | 0     | 0x81         | –             |
| 0x51 | R/W | Local<br>Temp<br>High Limit                          | 7     | 6     | 5     | 4     | 3     | 2     | 1     | 0     | 0x7F         | –             |
| 0x52 | R/W | Remote 2<br>Temp Low<br>Limit                        | 7     | 6     | 5     | 4     | 3     | 2     | 1     | 0     | 0x81         | –             |
| 0x53 | R/W | Remote 2<br>Temp<br>High Limit                       | 7     | 6     | 5     | 4     | 3     | 2     | 1     | 0     | 0x7F         | –             |
| 0x54 | R/W | TACH1<br>Min Low<br>Byte                             | 7     | 6     | 5     | 4     | 3     | 2     | 1     | 0     | 0xFF         | –             |
| 0x55 | R/W | TACH1<br>Min High<br>Byte                            | 15    | 14    | 13    | 12    | 11    | 10    | 9     | 8     | 0xFF         | –             |
| 0x56 | R/W | TACH2<br>Min Low<br>Byte                             | 7     | 6     | 5     | 4     | 3     | 2     | 1     | 0     | 0xFF         | –             |
| 0x57 | R/W | TACH2<br>Min High<br>Byte                            | 15    | 14    | 13    | 12    | 11    | 10    | 9     | 8     | 0xFF         | –             |
| 0x58 | R/W | TACH3<br>Min Low<br>Byte                             | 7     | 6     | 5     | 4     | 3     | 2     | 1     | 0     | 0xFF         | –             |
| 0x59 | R/W | TACH3<br>Min High<br>Byte                            | 15    | 14    | 13    | 12    | 11    | 10    | 9     | 8     | 0xFF         | –             |
| 0x5A | R/W | TACH4<br>Min Low<br>Byte                             | 7     | 6     | 5     | 4     | 3     | 2     | 1     | 0     | 0xFF         | –             |
| 0x5B | R/W | TACH4<br>Min High<br>Byte                            | 15    | 14    | 13    | 12    | 11    | 10    | 9     | 8     | 0xFF         | –             |
| 0x5C | R/W | PWM1<br>Config.<br>Register                          | BHVR  | BHVR  | BHVR  | INV   | ALT   | SPIN  | SPIN  | SPIN  | 0x62         | Yes           |
| 0x5D | R/W | PWM2<br>Config.<br>Register                          | BHVR  | BHVR  | BHVR  | INV   | ALT   | SPIN  | SPIN  | SPIN  | 0x62         | Yes           |
| 0x5E | R/W | PWM3<br>Config.<br>Register                          | BHVR  | BHVR  | BHVR  | INV   | ALT   | SPIN  | SPIN  | SPIN  | 0x62         | Yes           |
| 0x5F | R/W | Remote 1<br>T <sub>RANGE/</sub><br>PWM1<br>Frequency | RANGE | RANGE | RANGE | RANGE | HF/LF | FREQ  | FREQ  | FREQ  | 0xC4         | Yes           |
| 0x60 | R/W | Local<br>T <sub>RANGE/</sub><br>PWM2<br>Frequency    | RANGE | RANGE | RANGE | RANGE | HF/LF | FREQ  | FREQ  | FREQ  | 0xC4         | Yes           |
| 0x61 | R/W | Remote 2<br>T <sub>RANGE/</sub><br>PWM3<br>Frequency | RANGE | RANGE | RANGE | RANGE | HF/LF | FREQ  | FREQ  | FREQ  | 0xC4         | Yes           |

# ADT7490

**Table 44. ADT7490 REGISTERS** (continued)

| Addr | R/W | Desc  | Bit 7        | Bit 6       | Bit 5          | Bit 4 | Bit 3             | Bit 2           | Bit 1            | Bit 0                          | De-<br>fault | Lock-<br>able |
|------|-----|---|--------------|-------------|----------------|-------|-------------------|-----------------|------------------|--------------------------------|--------------|---------------|
| 0x62 | R/W | Enhanced Acoustics Reg. 1                             | MIN3         | MIN2        | MIN1           | SYNC  | EN1               | ACOU            | ACOU             | ACOU                           | 0x00         | Yes           |
| 0x63 | R/W | Enhanced Acoustics Reg. 2                             | EN2          | ACOU2       | ACOU2          | ACOU2 | EN3               | ACOU3           | ACOU3            | ACOU3                          | 0x00         | Yes           |
| 0x64 | R/W | PWM1 Min Duty Cycle                                   | 7            | 6           | 5              | 4     | 3                 | 2               | 1                | 0                              | 0x80         | Yes           |
| 0x65 | R/W | PWM2 Min Duty Cycle                                   | 7            | 6           | 5              | 4     | 3                 | 2               | 1                | 0                              | 0x80         | Yes           |
| 0x66 | R/W | PWM3 Min Duty Cycle                                   | 7            | 6           | 5              | 4     | 3                 | 2               | 1                | 0                              | 0x80         | Yes           |
| 0x67 | R/W | Remote 1 Temp. T <sub>MIN</sub>                       | 7            | 6           | 5              | 4     | 3                 | 2               | 1                | 0                              | 0x5A         | Yes           |
| 0x68 | R/W | Local Temp. T <sub>MIN</sub>                          | 7            | 6           | 5              | 4     | 3                 | 2               | 1                | 0                              | 0x5A         | Yes           |
| 0x69 | R/W | Remote 2 Temp. T <sub>MIN</sub>                       | 7            | 6           | 5              | 4     | 3                 | 2               | 1                | 0                              | 0x5A         | Yes           |
| 0x6A | R/W | Remote 1 THERM Temp. Limit                            | 7            | 6           | 5              | 4     | 3                 | 2               | 1                | 0                              | 0x64         | Yes           |
| 0x6B | R/W | Local THERM Temp. Limit                               | 7            | 6           | 5              | 4     | 3                 | 2               | 1                | 0                              | 0x64         | Yes           |
| 0x6C | R/W | Remote 2 THERM Temp. Limit                            | 7            | 6           | 5              | 4     | 3                 | 2               | 1                | 0                              | 0x64         | Yes           |
| 0x6D | R/W | Remote 1 and Local Temp./ T <sub>MIN</sub> Hysteresis | HYSR1        | HYSR1       | HYSR1          | HYSR1 | HYSL              | HYSL            | HYSL             | HYSL                           | 0x44         | Yes           |
| 0x6E | R/W | Remote 2 and PECL Temp./ T <sub>MIN</sub> Hysteresis  | HYSR2        | HYSR2       | HYSR2          | HYSR2 | HYSP              | HYSP            | HYSP             | HYSP                           | 0x44         | Yes           |
| 0x6F | R/W | XNOR Tree Test Enable                                 | RES          | RES         | RES            | RES   | RES               | RES             | RES              | XEN                            | 0x00         | Yes           |
| 0x70 | R/W | Remote 1 Temp Offset                                  | 7            | 6           | 5              | 4     | 3                 | 2               | 1                | 0                              | 0x00         | Yes           |
| 0x71 | R/W | Local Temp. Offset                                    | 7            | 6           | 5              | 4     | 3                 | 2               | 1                | 0                              | 0x00         | Yes           |
| 0x72 | R/W | Remote 2 Temp. Offset                                 | 7            | 6           | 5              | 4     | 3                 | 2               | 1                | 0                              | 0x00         | Yes           |
| 0x73 | R/W | Config. Reg. 2  | Shutdo<br>wn | CONV        | ATTN           | AVG   | Fan3<br>Detect    | Fan2<br>Detect  | Fan1<br>Detect   | Fan<br>PresDT                  | 0x00         | Yes           |
| 0x74 | R/W | Interrupt Mask Reg. 1                                 | OOL          | R2T         | LT             | R1T   | +5V <sub>IN</sub> | V <sub>CC</sub> | V <sub>CCP</sub> | +2.5V <sub>IN</sub> /<br>THERM | 0x00         | -             |
| 0x75 | R/W | Interrupt Mask Reg. 2                                 | D2<br>FAULT  | D1<br>FAULT | FAN4/<br>THERM | FAN3  | FAN2              | FAN1            | OOL              | +12V <sub>IN</sub> /<br>VC     | 0x00         | -             |

# ADT7490

**Table 44. ADT7490 REGISTERS** (continued)

| Addr | R/W | Desc                                    | Bit 7                         | Bit 6                   | Bit 5                  | Bit 4                     | Bit 3             | Bit 2            | Bit 1                         | Bit 0               | De-<br>fault | Lock-<br>able |
|------|-----|---|-------------------------------|-------------------------|------------------------|---------------------------|-------------------|------------------|-------------------------------|---------------------|--------------|---------------|
| 0x76 | R   | Extended Resolution 1                   | +5V <sub>IN</sub>             | +5V <sub>IN</sub>       | V <sub>CC</sub>        | V <sub>CC</sub>           | V <sub>CCP</sub>  | V <sub>CCP</sub> | +2.5V <sub>IN</sub>           | +2.5V <sub>IN</sub> | 0x00         | -             |
| 0x77 | R   | Extended Resolution 2                   | TDM2                          | TDM2                    | LTMP                   | LTMP                      | TDM1              | TDM1             | +12V <sub>IN</sub>            | +12V <sub>IN</sub>  | 0x00         | -             |
| 0x78 | R/W | Config. Reg. 3                          | DC4                           | DC3                     | DC2                    | DC1                       | FAST              | BOOST            | THERM/<br>+2.5V <sub>IN</sub> | ALERT Enable        | 0x00         | Yes           |
| 0x79 | R   | THERM Timer Status                      | TMR                           | TMR                     | TMR                    | TMR                       | TMR               | TMR              | TMR                           | ASRT/<br>TMR0       | 0x00         | -             |
| 0x7A | R/W | THERM Timer Limit                       | LIMIT                         | LIMIT                   | LIMIT                  | LIMIT                     | LIMIT             | LIMIT            | LIMIT                         | LIMIT               | 0x00         | -             |
| 0x7B | R/W | TACH Pulses per Revolution              | FAN4                          | FAN4                    | FAN3                   | FAN3                      | FAN2              | FAN2             | FAN1                          | FAN1                | 0x55         | -             |
| 0x7C | R/W | Config. Register 5                      | R2 THERM Output Only          | Local THERM Output Only | R1 THERM Output Only   | PECI R1 THERM Output Only | RES               | RES              | Temp Offset                   | TWOS COMPL          | 0x01         | Yes           |
| 0x7D | R/W | Config. Register 4                      | BpAtt +12V <sub>IN</sub>      | BpAtt +5V <sub>IN</sub> | BpAtt V <sub>CCP</sub> | BpAtt +2.5V <sub>IN</sub> | Max/Full on THERM | THERM Disable    | Pin 14 Func                   | Pin 14 Func         | 0x00         | Yes           |
| 0x7E | R   | Test 1                                  | DO NOT WRITE TO THIS REGISTER |                         |                        |                           |                   |                  |                               |                     | 0x00         | Yes           |
| 0x7F | R   | Test 2                                  | DO NOT WRITE TO THIS REGISTER |                         |                        |                           |                   |                  |                               |                     | 0x00         | Yes           |
| 0x80 | R/W | GPIO Config. Register                   | GPIO1 DIR                     | GPIO2 DIR               | GPIO1 POL              | GPIO2 POL                 | GPIO1             | GPIO2            | RES                           | RES                 | 0x00         | -             |
| 0x81 | R   | Interrupt Status 4                      | V <sub>TT</sub>               | I <sub>MON</sub>        | PECI3                  | PECI2                     | PECI1             | RES              | RES                           | RES                 | 0x00         | -             |
| 0x82 | R/W | Interrupt Mask 3                        | OOL                           | RES                     | RES                    | RES                       | OVT               | COMM             | DATA                          | PECI0               | 0x00         | -             |
| 0x83 | R/W | Interrupt Mask 4                        | V <sub>TT</sub>               | I <sub>MON</sub>        | PECI3                  | PECI2                     | PECI1             | RES              | RES                           | RES                 | 0x00         | -             |
| 0x84 | R/W | V <sub>TT</sub> Low Limit               | 7                             | 6                       | 5                      | 4                         | 3                 | 2                | 1                             | 0                   | 0x00         | Yes           |
| 0x85 | R/W | I <sub>MON</sub> Low Limit              | 7                             | 6                       | 5                      | 4                         | 3                 | 2                | 1                             | 0                   | 0x00         | Yes           |
| 0x86 | R/W | V <sub>TT</sub> High Limit              | 7                             | 6                       | 5                      | 4                         | 3                 | 2                | 1                             | 0                   | 0xFF         | Yes           |
| 0x87 | R/W | I <sub>MON</sub> High Limit             | 7                             | 6                       | 5                      | 4                         | 3                 | 2                | 1                             | 0                   | 0xFF         | Yes           |
| 0x88 | R/W | PECI Config. 2                          | #CPU                          | #CPU                    | DOM1                   | DOM2                      | DOM3              | RES              | RES                           | RES                 | 0x00         | Yes           |
| 0x89 | R   | TEST 3                                  | DO NOT WRITE TO THIS REGISTER |                         |                        |                           |                   |                  |                               |                     | 0x00         | Yes           |
| 0x8A | R/W | PECI Operating Point                    | 7                             | 6                       | 5                      | 4                         | 3                 | 2                | 1                             | 0                   | 0xFB         | Yes           |
| 0x8B | R/W | Remote 1 Operating Point                | 7                             | 6                       | 5                      | 4                         | 3                 | 2                | 1                             | 0                   | 0x64         | Yes           |
| 0x8C | R/W | Local Temp. Operating Point             | 7                             | 6                       | 5                      | 4                         | 3                 | 2                | 1                             | 0                   | 0x64         | Yes           |
| 0x8D | R/W | Remote 2 Operating Point                | 7                             | 6                       | 5                      | 4                         | 3                 | 2                | 1                             | 0                   | 0x64         | Yes           |
| 0x8E | R/W | Dynamic T <sub>MIN</sub> Control Reg. 1 | R2T                           | LT                      | R1T                    | PHTR2                     | PHTL              | PHTR1            | V <sub>CCP</sub> LO           | CYR2                | 0x00         | Yes           |

# ADT7490

**Table 44. ADT7490 REGISTERS** (continued)

| Addr | R/W  | Desc   | Bit 7 | Bit 6 | Bit 5 | Bit 4 | Bit 3 | Bit 2 | Bit 1             | Bit 0           | De-<br>fault     | Lock-<br>able                  |
|------|------|--|-------|-------|-------|-------|-------|-------|-------------------|-----------------|------------------|--------------------------------|
| 0x8F | R/W  | Dynamic<br>T <sub>MIN</sub><br>Control<br>Reg. 2 | CYR2  | CYR2  | CYL   | CYL   | CYL   | CYR1  | CYR1              | CYR1            | 0x00             | Yes                            |
| 0x90 | R/W  | Dynamic<br>T <sub>MIN</sub><br>Control<br>Reg. 3 | PECI  | PHTP  | CYP   | CYP   | CYP   | RES   | RES               | RES             | 0x00             | Yes                            |
| 0x94 | R/W  | PECI0<br>Temp.<br>Offset                         | 7     | 6     | 5     | 4     | 3     | 2     | 1                 | 0               | 0x00             | Yes                            |
| 0x95 | R/W  | PECI1<br>Temp.<br>Offset                         | 7     | 6     | 5     | 4     | 3     | 2     | 1                 | 0               | 0x00             | Yes                            |
| 0x96 | R/W  | PECI2<br>Temp.<br>Offset                         | 7     | 6     | 5     | 4     | 3     | 2     | 1                 | 0               | 0x00             | Yes                            |
| 0x97 | R/W  | PECI3<br>Temp.<br>Offset                         | 7     | 6     | 5     | 4     | 3     | 2     | 1                 | 0               | 0x00             | Yes                            |
| -    | 0x41 | -  | -     | 0x74  | OOL   | R2T   | LT    | R1T   | +5V <sub>IN</sub> | V <sub>CC</sub> | V <sub>CCP</sub> | +2.5V <sub>IN</sub> /<br>THERM |

**Table 45. REGISTER 0x10 – CONFIGURATION REGISTER 6 (POWER-ON DEFAULT = 0x00)**

| Bit No. | Mnemonic             | R/W (Note 1) | Description  |
|---------|----------------------|--------------|--|
| [0]     | SLOW<br>Remote 1     | R/W          | When this bit is set, fan smoothing times are multiplied x4 for Remote 1 temperature channel (as defined in Register 0x62).  |
| [1]     | SLOW<br>Local        | R/W          | When this bit is set, fan smoothing times are multiplied x4 for local temperature channel (as defined in Register 0x63).   |
| [2]     | SLOW<br>Remote 2     | R/W          | When this bit is set, fan smoothing times are multiplied x4 for Remote 2 temperature channel (as defined in Register 0x63).  |
| [3]     | Res                  | N/A          | Reserved   |
| [4]     | Res                  | N/A          | Reserved   |
| [5]     | Res                  | N/A          | Reserved   |
| [6]     | V <sub>CCP</sub> Low | R/W          | V <sub>CCP</sub> Low = 1. When the power is supplied from 3.3 V STANDBY and the core voltage (V <sub>CCP</sub> ) drops below its V <sub>CCP</sub> low limit value (Register 0x46), the following occurs:<br>Status Bit 1 in Status Register 1 is set.<br>SMBALERT is generated, if enabled.<br>PROCHOT monitoring is disabled.<br>Everything is re-enabled once V <sub>CCP</sub> increases above the V <sub>CCP</sub> low limit.<br>When V <sub>CCP</sub> increases above the low limit:<br>PROCHOT monitoring is enabled.<br>Fans return to their programmed state after a spin-up cycle. |
| [7]     | ExtraSlow            | R/W          | When this bit is set, all fan smoothing times are increased by a further 39.2%   |

1. This register becomes read-only when the Configuration Register 1 (0x40) Lock bit is set to 1. Any subsequent attempts to write to this register fail.



# ADT7490

**Table 46. REGISTER 0x11 – CONFIGURATION REGISTER 7 (POWER-ON DEFAULT = 0x00)**

| Bit No. | Mnemonic | R/W (Note 1) | Description  |
|---------|----------|--------------|--|
| [0]     | THERMHys | R/W          | THERM hysteresis is enabled by default. Setting this bit to 1 disables THERM hysteresis.   |
| [1]     | FSPD     | R/W          | When set to 1, this bit runs all fans at maximum speed as programmed in the maximum PWM duty cycle registers (0x38 to 0x3A). Power-on default = 0. This bit is not locked at any time.   |
| [2]     | Vx1      | R/W          | BIOS should set this bit to 1 when the ADT7490 is configured to measure current from an Analog Devices ADOPT VRM controller and to measure the CPU core voltage. This bit allows monitoring software to display CPU watts usage. (Lockable.)   |
| [3]     | FSPDIS   | R/W          | Logic 1 disables fan spin-up for two TACH pulses. Instead, the PWM outputs go high for the entire fan spin-up timeout selected.  |
| [4]     | TODIS    | R/W          | When this bit is set to 1, the SMBus timeout feature is disabled. In this state, if at any point during an SMBus transaction involving the ADT7490 activity ceases for more than 35 ms, the ADT7490 assumes the bus is locked and releases the bus. This allows the ADT7490 to be used with SMBus controllers that cannot handle SMBus timeouts. (Lockable.) |
| [7:5]   | RES      | N/A          | Reserved. Do not write to these bits.  |

1. This register becomes read-only when the Configuration Register 1 (0x40) Lock bit is set to 1. Any subsequent attempts to write to this register fail.

**Table 47. PECl READING REGISTERS (POWER-ON DEFAULT = 0x80)**

| Register Address | R/W       | Description  |
|------------------|-----------|--|
| 0x33             | Read-only | PECl0: This Register Reads the Eight Bits Representative of PECl Client Address 0x30 |
| 0x1A             | Read-only | PECl1: This Register Reads the Eight Bits Representative of PECl Client Address 0x31 |
| 0x1B             | Read-only | PECl2: This Register Reads the Eight Bits Representative of PECl Client Address 0x32 |
| 0x1C             | Read-only | PECl3: This Register Reads the Eight Bits Representative of PECl Client Address 0x33 |

**Table 48. I<sub>MON</sub>/V<sub>TT</sub> READING REGISTERS (POWER-ON DEFAULT = 0x00)**

| Register Address | R/W       | Description   |
|------------------|-----------|---|
| 0x1D             | Read-only | Reflects the voltage measurement at the I <sub>MON</sub> input on Pin 19 (8 MSBs of reading). Input range of 0 V to 2.25 V. |
| 0x1E             | Read-only | Reflects the voltage measurement at the V <sub>TT</sub> input on Pin 8 (8 MSBs of reading). Input range of 0 V to 2.25 V.   |

**Table 49. REGISTER 0x1F – EXTENDED RESOLUTION 3 (POWER-ON DEFAULT = 0x00)**

| Bit No. | R/W       | Description  |
|---------|-----------|--|
| [3:0]   | Read-only | Reserved   |
| [5:4]   | Read-only | Hold the Two LSBs of the 10-bit V <sub>TT</sub> Measurement  |
| [7:6]   | Read-only | Hold the Two LSBs of the 10-bit I <sub>MON</sub> Measurement |

**Table 50. VOLTAGE READING REGISTERS (POWER-ON DEFAULT = 0x00) (Note 1)**

| Register Address | R/W       | Description   |
|------------------|-----------|---|
| 0x20             | Read-only | Reflects the Voltage Measurement at the 2.5 V <sub>IN</sub> Input on Pin 22 (8 MSBs of Reading)       |
| 0x21             | Read-only | Reflects the Voltage Measurement (Note 2) at the V <sub>CCP</sub> Input on Pin 23 (8 MSBs of Reading) |
| 0x22             | Read-only | Reflects the Voltage Measurement (Note 3) at the V <sub>CC</sub> Input on Pin 4 (8 MSBs of Reading)   |
| 0x23             | Read-only | Reflects the Voltage Measurement at the 5 V <sub>IN</sub> Input on Pin 20 (8 MSBs of Reading)         |
| 0x24             | Read-only | Reflects the Voltage Measurement at the 12 V <sub>IN</sub> Input on Pin 21 (8 MSBs of Reading)        |

1. If the extended resolution bits of these readings are also being read, the extended resolution registers (Register 0x76, Register 0x77) must be read first. Once the extended resolution registers have been read, the associated MSB reading registers are frozen until read. Both the extended resolution registers and the MSB registers are frozen.
2. If V<sub>CCP</sub> Low (Bit 6 of 0x10) is set, V<sub>CCP</sub> can control the sleep state of the ADT7490.
3. V<sub>CC</sub> (Pin 4) is the supply voltage for the ADT7490.

# ADT7490

**Table 51. TEMPERATURE READING REGISTERS (POWER-ON DEFAULT = 0x80)** (Note 1 and 2)

| Register Address | R/W       | Description   |
|------------------|-----------|---|
| 0x25             | Read-only | Remote 1 Temperature Reading (Note 3 and 4) (8 MSBs of Reading) |
| 0x26             | Read-only | Local Temperature Reading (8 MSBs of Reading)                   |
| 0x27             | Read-only | Remote 2 Temperature Reading (Note 3 and 4) (8 MSBs of Reading) |

1. If the extended resolution bits of these readings are also being read, the extended resolution registers (Register 0x76, Register 0x77) must be read first. Once the extended resolution registers have been read, all associated MSB reading registers are frozen until read. Both the extended resolution registers and the MSB registers are frozen.
2. These temperature readings can be in twos complement or Offset 64 format; this interpretation is determined by Bit 0 of Configuration Register 5 (0x7C).
3. In twos complement mode, a temperature reading of  $-128^{\circ}\text{C}$  (0x80) indicates a diode fault (open or short) on that channel.
4. In Offset 64 mode, a temperature reading of  $-64^{\circ}\text{C}$  (0x00) indicates a diode fault (open or short) on that channel.

**Table 52. FAN TACHOMETER READING REGISTERS (POWER-ON DEFAULT = 0x00)** (Note 1)

| Register Address | R/W       | Description     |
|------------------|-----------|-----------------|
| 0x28             | Read-only | TACH1 Low Byte  |
| 0x29             | Read-only | TACH1 High Byte |
| 0x2A             | Read-only | TACH2 Low Byte  |
| 0x2B             | Read-only | TACH2 High Byte |
| 0x2C             | Read-only | TACH3 Low Byte  |
| 0x2D             | Read-only | TACH3 High Byte |
| 0x2E             | Read-only | TACH4 Low Byte  |
| 0x2F             | Read-only | TACH4 High Byte |

1. These registers count the number of 11.11  $\mu\text{s}$  periods (based on an internal 90 kHz clock) that occur between a number of consecutive fan TACH pulses (default = 2). The number of TACH pulses used to count can be changed using the TACH Pulses per Revolution register (Register 0x7B). This allows the fan speed to be accurately measured. Because a valid fan tachometer reading requires that two bytes be read, the low byte must be read first. Both the low and high bytes are then frozen until read. At power-on, these registers contain 0x0000 until the first valid fan TACH measurement is read into these registers. This prevents false interrupts from occurring while the fans are spinning up. A count of 0xFFFF indicates that a fan is one of the following: stalled or blocked (object jamming the fan), failed (internal circuitry destroyed), or not populated. (The ADT7490 expects to see a fan connected to each TACH. If a fan is not connected to that TACH, its TACH minimum high and low bytes should be set to 0xFFFF.) An alternate function, for example, is TACH4 reconfigured as the THERM pin.

**Table 53. CURRENT PWM DUTY CYCLE REGISTERS (POWER-ON DEFAULT = 0xFF)** (Note 1)

| Register Address | R/W | Description  |
|------------------|-----|--|
| 0x30             | R/W | PWM1 Current Duty Cycle (0% to 100% Duty Cycle = 0x00 to 0xFF) |
| 0x31             | R/W | PWM2 Current Duty Cycle (0% to 100% Duty Cycle = 0x00 to 0xFF) |
| 0x32             | R/W | PWM3 Current Duty Cycle (0% to 100% Duty Cycle = 0x00 to 0xFF) |

1. These registers reflect the PWM duty cycle driving each fan at any given time. When in automatic fan speed control mode, the ADT7490 reports the PWM duty cycles back through these registers. The PWM duty cycle values vary according to temperature in automatic fan speed control mode. During fan startup, these registers report back 0x00. In manual mode, the PWM duty cycle outputs can be set to any duty cycle value by writing to these registers.

**Table 54. REGISTER 0x33 – PECI0 READING REGISTER (POWER-ON DEFAULT = 0x80)**

| Register Address | R/W       | Description  |
|------------------|-----------|--|
| 0x33             | Read-only | PECI0: This Register Reads the Eight Bits Representative of PECI Client Address 0x30 |

**Table 55. PECI LIMIT REGISTERS**

| Register Address | R/W | Description     | Power-On Default |
|------------------|-----|-----------------|------------------|
| 0x34             | R/W | PECI Low Limit  | 0x81             |
| 0x35             | R/W | PECI High Limit | 0x00             |

# ADT7490

**Table 56. REGISTER 0x36 – PECI CONFIGURATION REGISTER 1 (POWER-ON DEFAULT = 0x00)**

| Bit No.  | Mnemonic                | R/W (Note 1) | Description   |          |                         |     |    |     |      |     |      |     |      |     |       |     |       |     |       |     |          |
|----------|-------------------------|--------------|---|----------|-------------------------|-----|----|-----|------|-----|------|-----|------|-----|-------|-----|-------|-----|-------|-----|----------|
| [2:0]    | AVG[2:0]                | R/W          | <p>PECI Smoothing Interval. These bits set the duration over which smoothing is carried out on the PECI data read. Note that the PECI smoothing interval is equal to the PECI register update interval. The smoothing interval is calculated using the following formula:</p> $\text{Smooth Interval} = \#reads \times (t_{BIT} \times 67 \times \#CPU + t_{IDLE})$ <p>where:</p> <ul style="list-style-type: none"> <li>#reads is the number of readings defined below.</li> <li><math>t_{BIT}</math> is the negotiated bit rate.</li> <li>67 is the number of bits in each PECI reading.</li> <li>#CPU is the number of CPUs providing PECI data (1 to 4).</li> <li><math>t_{IDLE} = 14 \mu s</math>, the delay between consecutive reads.</li> </ul> <table style="width: 100%; border-collapse: collapse;"> <thead> <tr> <th style="text-align: left;">Bit Code</th> <th style="text-align: left;">Number of PECI Readings</th> </tr> </thead> <tbody> <tr><td>000</td><td>16</td></tr> <tr><td>001</td><td>2048</td></tr> <tr><td>010</td><td>4096</td></tr> <tr><td>011</td><td>8192</td></tr> <tr><td>100</td><td>16384</td></tr> <tr><td>101</td><td>32768</td></tr> <tr><td>110</td><td>65536</td></tr> <tr><td>111</td><td>Reserved</td></tr> </tbody> </table> | Bit Code | Number of PECI Readings | 000 | 16 | 001 | 2048 | 010 | 4096 | 011 | 8192 | 100 | 16384 | 101 | 32768 | 110 | 65536 | 111 | Reserved |
| Bit Code | Number of PECI Readings |              |   |          |                         |     |    |     |      |     |      |     |      |     |       |     |       |     |       |     |          |
| 000      | 16                      |              |   |          |                         |     |    |     |      |     |      |     |      |     |       |     |       |     |       |     |          |
| 001      | 2048                    |              |   |          |                         |     |    |     |      |     |      |     |      |     |       |     |       |     |       |     |          |
| 010      | 4096                    |              |   |          |                         |     |    |     |      |     |      |     |      |     |       |     |       |     |       |     |          |
| 011      | 8192                    |              |   |          |                         |     |    |     |      |     |      |     |      |     |       |     |       |     |       |     |          |
| 100      | 16384                   |              |   |          |                         |     |    |     |      |     |      |     |      |     |       |     |       |     |       |     |          |
| 101      | 32768                   |              |   |          |                         |     |    |     |      |     |      |     |      |     |       |     |       |     |       |     |          |
| 110      | 65536                   |              |   |          |                         |     |    |     |      |     |      |     |      |     |       |     |       |     |       |     |          |
| 111      | Reserved                |              |   |          |                         |     |    |     |      |     |      |     |      |     |       |     |       |     |       |     |          |
| [3]      | DOM0                    | R/W          | CPU Domain Count information. Set to 0 indicates that CPU 1 associated with the PECI0 reading has a single domain (default). Set to 1 indicates that the system CPU 1 contains two domains.   |          |                         |     |    |     |      |     |      |     |      |     |       |     |       |     |       |     |          |
| [4]      | REPLACE                 | R/W          | If this bit is set to 0, it indicates that the ADT7490 is operating in standard mode. If this bit is set to 1, the Remote 1 Temperature register (Register 0x25) is overwritten by PECI0 information (Register 0x33) and vice versa. Note that in this mode, all associated user programmable limit and fan control registers are also swapped and should be programmed in the appropriate PECI or absolute temperature format.   |          |                         |     |    |     |      |     |      |     |      |     |       |     |       |     |       |     |          |
| [7:5]    | RES                     | R            | Reserved  |          |                         |     |    |     |      |     |      |     |      |     |       |     |       |     |       |     |          |

- These registers become read-only when the Configuration Register 1 (0x40) Lock bit is set to 1. Any subsequent attempts to write to these registers fail.

**Table 57. MAXIMUM PWM DUTY CYCLE (POWER-ON DEFAULT = 0xFF) (Note 1)**

| Register Address | R/W (Note 2) | Description   |
|------------------|--------------|---|
| 0x38             | R/W          | Maximum Duty Cycle for PWM1 Output, Default = 100% (0xFF) |
| 0x39             | R/W          | Maximum Duty Cycle for PWM2 Output, Default = 100% (0xFF) |
| 0x3A             | R/W          | Maximum Duty Cycle for PWM3 Output, Default = 100% (0xFF) |

- These registers set the maximum PWM duty cycle of the PWM output.
- These registers become read-only when the Configuration Register 1 (0x40) Lock bit is set to 1. Any subsequent attempts to write to these registers fail.

**Table 58. PECI T<sub>MIN</sub> REGISTER (POWER-ON DEFAULT = 0xE0, VALUE = -32)**

| Register Address | R/W (Note 1) | Description   |
|------------------|--------------|---|
| 0x3B             | R/W          | PECI T <sub>MIN</sub> . When the PECI measurement exceeds PECI T <sub>MIN</sub> , the appropriate fans run at PWM <sub>MIN</sub> and increase according to the automatic fan speed control slope. |

- This register becomes read-only when the Configuration Register 1 (0x40) Lock bit is set. Any further attempts to write to this register have no effect.

# ADT7490

**Table 59. REGISTER 0x3C – PECI T<sub>RANGE</sub>/ENHANCED ACOUSTICS REGISTER (POWER-ON DEFAULT = 0xC0)**

| Bit No.  | Mnemonic            | R/W<br>(Note 1) | Description  |          |                     |         |          |         |          |         |          |         |         |         |         |          |         |          |         |          |         |          |                     |         |          |         |          |         |          |         |                |         |         |          |         |          |         |          |         |
|----------|---------------------|-----------------|--|----------|---------------------|---------|----------|---------|----------|---------|----------|---------|---------|---------|---------|----------|---------|----------|---------|----------|---------|----------|---------------------|---------|----------|---------|----------|---------|----------|---------|----------------|---------|---------|----------|---------|----------|---------|----------|---------|
| [2:0]    | ACOU                | R/W             | <p>Assuming that PWMx is associated with the PECI channel, these bits define the maximum rate of change of the PWMx output for PECI temperature-related changes. Instead of the fan speed jumping instantaneously to its newly determined speed, it ramps gracefully at the rate determined by these bits. This feature ultimately enhances the acoustics of the fan. The smoothing times below are based on a refresh rate of the round robin cycle. The PECI data, for 0% to 100%, must be multiplied each time by:</p> $\frac{\text{PECI Refresh Rate}}{\text{Round Robin Cycle}}$ <p>where the PECI refresh rate is defined in Register 0x36 and the round robin cycle is typically 165 ms.</p> <p><b>When Bit 7 of Configuration Register 6 (0x10) is 0</b></p> <table border="0"> <thead> <tr> <th>Bit Code</th> <th>Time for 0% to 100%</th> </tr> </thead> <tbody> <tr><td>000 = 1</td><td>37.5 sec</td></tr> <tr><td>001 = 2</td><td>18.8 sec</td></tr> <tr><td>010 = 3</td><td>12.5 sec</td></tr> <tr><td>011 = 4</td><td>7.5 sec</td></tr> <tr><td>100 = 8</td><td>4.7 sec</td></tr> <tr><td>101 = 12</td><td>3.1 sec</td></tr> <tr><td>110 = 24</td><td>1.6 sec</td></tr> <tr><td>111 = 48</td><td>0.8 sec</td></tr> </tbody> </table> <p><b>When Bit 7 of Configuration Register 6 (0x10) is 1</b></p> <table border="0"> <thead> <tr> <th>Bit Code</th> <th>Time for 0% to 100%</th> </tr> </thead> <tbody> <tr><td>000 = 1</td><td>52.2 sec</td></tr> <tr><td>001 = 2</td><td>26.1 sec</td></tr> <tr><td>010 = 3</td><td>17.4 sec</td></tr> <tr><td>011 = 4</td><td>10.4 sec</td></tr> <tr><td>100 = 8</td><td>6.5 sec</td></tr> <tr><td>101 = 12</td><td>4.4 sec</td></tr> <tr><td>110 = 24</td><td>2.2 sec</td></tr> <tr><td>111 = 48</td><td>1.1 sec</td></tr> </tbody> </table> | Bit Code | Time for 0% to 100% | 000 = 1 | 37.5 sec | 001 = 2 | 18.8 sec | 010 = 3 | 12.5 sec | 011 = 4 | 7.5 sec | 100 = 8 | 4.7 sec | 101 = 12 | 3.1 sec | 110 = 24 | 1.6 sec | 111 = 48 | 0.8 sec | Bit Code | Time for 0% to 100% | 000 = 1 | 52.2 sec | 001 = 2 | 26.1 sec | 010 = 3 | 17.4 sec | 011 = 4 | 10.4 sec       | 100 = 8 | 6.5 sec | 101 = 12 | 4.4 sec | 110 = 24 | 2.2 sec | 111 = 48 | 1.1 sec |
| Bit Code | Time for 0% to 100% |                 |  |          |                     |         |          |         |          |         |          |         |         |         |         |          |         |          |         |          |         |          |                     |         |          |         |          |         |          |         |                |         |         |          |         |          |         |          |         |
| 000 = 1  | 37.5 sec            |                 |  |          |                     |         |          |         |          |         |          |         |         |         |         |          |         |          |         |          |         |          |                     |         |          |         |          |         |          |         |                |         |         |          |         |          |         |          |         |
| 001 = 2  | 18.8 sec            |                 |  |          |                     |         |          |         |          |         |          |         |         |         |         |          |         |          |         |          |         |          |                     |         |          |         |          |         |          |         |                |         |         |          |         |          |         |          |         |
| 010 = 3  | 12.5 sec            |                 |  |          |                     |         |          |         |          |         |          |         |         |         |         |          |         |          |         |          |         |          |                     |         |          |         |          |         |          |         |                |         |         |          |         |          |         |          |         |
| 011 = 4  | 7.5 sec             |                 |  |          |                     |         |          |         |          |         |          |         |         |         |         |          |         |          |         |          |         |          |                     |         |          |         |          |         |          |         |                |         |         |          |         |          |         |          |         |
| 100 = 8  | 4.7 sec             |                 |  |          |                     |         |          |         |          |         |          |         |         |         |         |          |         |          |         |          |         |          |                     |         |          |         |          |         |          |         |                |         |         |          |         |          |         |          |         |
| 101 = 12 | 3.1 sec             |                 |  |          |                     |         |          |         |          |         |          |         |         |         |         |          |         |          |         |          |         |          |                     |         |          |         |          |         |          |         |                |         |         |          |         |          |         |          |         |
| 110 = 24 | 1.6 sec             |                 |  |          |                     |         |          |         |          |         |          |         |         |         |         |          |         |          |         |          |         |          |                     |         |          |         |          |         |          |         |                |         |         |          |         |          |         |          |         |
| 111 = 48 | 0.8 sec             |                 |  |          |                     |         |          |         |          |         |          |         |         |         |         |          |         |          |         |          |         |          |                     |         |          |         |          |         |          |         |                |         |         |          |         |          |         |          |         |
| Bit Code | Time for 0% to 100% |                 |  |          |                     |         |          |         |          |         |          |         |         |         |         |          |         |          |         |          |         |          |                     |         |          |         |          |         |          |         |                |         |         |          |         |          |         |          |         |
| 000 = 1  | 52.2 sec            |                 |  |          |                     |         |          |         |          |         |          |         |         |         |         |          |         |          |         |          |         |          |                     |         |          |         |          |         |          |         |                |         |         |          |         |          |         |          |         |
| 001 = 2  | 26.1 sec            |                 |  |          |                     |         |          |         |          |         |          |         |         |         |         |          |         |          |         |          |         |          |                     |         |          |         |          |         |          |         |                |         |         |          |         |          |         |          |         |
| 010 = 3  | 17.4 sec            |                 |  |          |                     |         |          |         |          |         |          |         |         |         |         |          |         |          |         |          |         |          |                     |         |          |         |          |         |          |         |                |         |         |          |         |          |         |          |         |
| 011 = 4  | 10.4 sec            |                 |  |          |                     |         |          |         |          |         |          |         |         |         |         |          |         |          |         |          |         |          |                     |         |          |         |          |         |          |         |                |         |         |          |         |          |         |          |         |
| 100 = 8  | 6.5 sec             |                 |  |          |                     |         |          |         |          |         |          |         |         |         |         |          |         |          |         |          |         |          |                     |         |          |         |          |         |          |         |                |         |         |          |         |          |         |          |         |
| 101 = 12 | 4.4 sec             |                 |  |          |                     |         |          |         |          |         |          |         |         |         |         |          |         |          |         |          |         |          |                     |         |          |         |          |         |          |         |                |         |         |          |         |          |         |          |         |
| 110 = 24 | 2.2 sec             |                 |  |          |                     |         |          |         |          |         |          |         |         |         |         |          |         |          |         |          |         |          |                     |         |          |         |          |         |          |         |                |         |         |          |         |          |         |          |         |
| 111 = 48 | 1.1 sec             |                 |  |          |                     |         |          |         |          |         |          |         |         |         |         |          |         |          |         |          |         |          |                     |         |          |         |          |         |          |         |                |         |         |          |         |          |         |          |         |
| [3]      | ENP                 | R/W             | When this bit is set to 1, smoothing is enabled on the PECI channel allowing enhanced acoustics on the associated PWM output.  |          |                     |         |          |         |          |         |          |         |         |         |         |          |         |          |         |          |         |          |                     |         |          |         |          |         |          |         |                |         |         |          |         |          |         |          |         |
| [7:4]    | RANGE               | R/W             | <p>These bits determine the PWM duty cycle vs. the temperature range for automatic fan control.</p> <table border="0"> <thead> <tr> <th>Bit Code</th> <th>Temperature</th> </tr> </thead> <tbody> <tr><td>0000</td><td>2°C</td></tr> <tr><td>0001</td><td>2.5°C</td></tr> <tr><td>0010</td><td>3.33°C</td></tr> <tr><td>0011</td><td>4°C</td></tr> <tr><td>0100</td><td>5°C</td></tr> <tr><td>0101</td><td>6.67°C</td></tr> <tr><td>0110</td><td>8°C</td></tr> <tr><td>0111</td><td>10°C</td></tr> <tr><td>1000</td><td>13.33°C</td></tr> <tr><td>1001</td><td>16°C</td></tr> <tr><td>1010</td><td>20°C</td></tr> <tr><td>1011</td><td>26.67°C</td></tr> <tr><td>1100</td><td>32°C (Default)</td></tr> <tr><td>1101</td><td>40°C</td></tr> <tr><td>1110</td><td>53.33°C</td></tr> <tr><td>1111</td><td>80°C</td></tr> </tbody> </table>  | Bit Code | Temperature         | 0000    | 2°C      | 0001    | 2.5°C    | 0010    | 3.33°C   | 0011    | 4°C     | 0100    | 5°C     | 0101     | 6.67°C  | 0110     | 8°C     | 0111     | 10°C    | 1000     | 13.33°C             | 1001    | 16°C     | 1010    | 20°C     | 1011    | 26.67°C  | 1100    | 32°C (Default) | 1101    | 40°C    | 1110     | 53.33°C | 1111     | 80°C    |          |         |
| Bit Code | Temperature         |                 |  |          |                     |         |          |         |          |         |          |         |         |         |         |          |         |          |         |          |         |          |                     |         |          |         |          |         |          |         |                |         |         |          |         |          |         |          |         |
| 0000     | 2°C                 |                 |  |          |                     |         |          |         |          |         |          |         |         |         |         |          |         |          |         |          |         |          |                     |         |          |         |          |         |          |         |                |         |         |          |         |          |         |          |         |
| 0001     | 2.5°C               |                 |  |          |                     |         |          |         |          |         |          |         |         |         |         |          |         |          |         |          |         |          |                     |         |          |         |          |         |          |         |                |         |         |          |         |          |         |          |         |
| 0010     | 3.33°C              |                 |  |          |                     |         |          |         |          |         |          |         |         |         |         |          |         |          |         |          |         |          |                     |         |          |         |          |         |          |         |                |         |         |          |         |          |         |          |         |
| 0011     | 4°C                 |                 |  |          |                     |         |          |         |          |         |          |         |         |         |         |          |         |          |         |          |         |          |                     |         |          |         |          |         |          |         |                |         |         |          |         |          |         |          |         |
| 0100     | 5°C                 |                 |  |          |                     |         |          |         |          |         |          |         |         |         |         |          |         |          |         |          |         |          |                     |         |          |         |          |         |          |         |                |         |         |          |         |          |         |          |         |
| 0101     | 6.67°C              |                 |  |          |                     |         |          |         |          |         |          |         |         |         |         |          |         |          |         |          |         |          |                     |         |          |         |          |         |          |         |                |         |         |          |         |          |         |          |         |
| 0110     | 8°C                 |                 |  |          |                     |         |          |         |          |         |          |         |         |         |         |          |         |          |         |          |         |          |                     |         |          |         |          |         |          |         |                |         |         |          |         |          |         |          |         |
| 0111     | 10°C                |                 |  |          |                     |         |          |         |          |         |          |         |         |         |         |          |         |          |         |          |         |          |                     |         |          |         |          |         |          |         |                |         |         |          |         |          |         |          |         |
| 1000     | 13.33°C             |                 |  |          |                     |         |          |         |          |         |          |         |         |         |         |          |         |          |         |          |         |          |                     |         |          |         |          |         |          |         |                |         |         |          |         |          |         |          |         |
| 1001     | 16°C                |                 |  |          |                     |         |          |         |          |         |          |         |         |         |         |          |         |          |         |          |         |          |                     |         |          |         |          |         |          |         |                |         |         |          |         |          |         |          |         |
| 1010     | 20°C                |                 |  |          |                     |         |          |         |          |         |          |         |         |         |         |          |         |          |         |          |         |          |                     |         |          |         |          |         |          |         |                |         |         |          |         |          |         |          |         |
| 1011     | 26.67°C             |                 |  |          |                     |         |          |         |          |         |          |         |         |         |         |          |         |          |         |          |         |          |                     |         |          |         |          |         |          |         |                |         |         |          |         |          |         |          |         |
| 1100     | 32°C (Default)      |                 |  |          |                     |         |          |         |          |         |          |         |         |         |         |          |         |          |         |          |         |          |                     |         |          |         |          |         |          |         |                |         |         |          |         |          |         |          |         |
| 1101     | 40°C                |                 |  |          |                     |         |          |         |          |         |          |         |         |         |         |          |         |          |         |          |         |          |                     |         |          |         |          |         |          |         |                |         |         |          |         |          |         |          |         |
| 1110     | 53.33°C             |                 |  |          |                     |         |          |         |          |         |          |         |         |         |         |          |         |          |         |          |         |          |                     |         |          |         |          |         |          |         |                |         |         |          |         |          |         |          |         |
| 1111     | 80°C                |                 |  |          |                     |         |          |         |          |         |          |         |         |         |         |          |         |          |         |          |         |          |                     |         |          |         |          |         |          |         |                |         |         |          |         |          |         |          |         |

1. This register becomes read-only when the Configuration Register 1 (0x40) Lock bit is set to 1. Any subsequent attempts to write to this register fail.

# ADT7490

**Table 60. T<sub>CONTROL</sub> LIMIT REGISTER (POWER-ON DEFAULT = 0x00) (Note 1)**

| Register Address | R/W (Note 2) | Description                     |
|------------------|--------------|---------------------------------|
| 0x3D             | R/W          | PECI T <sub>CONTROL</sub> Limit |

1. If any PECI reading exceeds the T<sub>CONTROL</sub> limit, all PWM outputs drive their fans at 100% duty cycle. This is a fail-safe mechanism incorporated to cool the system in the event of a critical overtemperature. It also ensures some level of cooling in the event that software or hardware locks up. If set to 0x80, this feature is disabled. The PWM output remains at 100% until the temperature drops below T<sub>CONTROL</sub> limit – hysteresis.
2. This register becomes read-only when the Configuration Register 1 (0x40) Lock bit is set to 1. Any further attempts to write to this register have no effect.

**Table 61. REGISTER 0x3F – VERSION REGISTER**

| Bit No. | Mnemonic | R/W       | Description   |
|---------|----------|-----------|---|
| [1:0]   | REV[1:0] | Read-only | These two bits indicate the ADT7490 silicon revision number. 0x00 indicates Revision 0, 0x01 indicates Revision 1, and so on. 0x11 indicates that further revision information can be found in the “Extended Revision” register (0x12). The revision number is then found by adding 0x11 to the contents of the extended revision register. |
| [2]     | PECI     | Read-only | This bit is set to 1 indicating that the ADT7490 supports the PECI interface.   |
| [3]     | 4-wire   | Read-only | This bit is set to 1 indicating that the ADT7490 may be configured to drive 4-wire fans using high frequency PWM.   |
| [7:4]   | VER[3:0] | Read-only | These bits indicate the version number of the device. This is set to 6, indicating that the ADT7490 is part of the Heceta 6 ASIC family.  |

**Table 62. REGISTER 0x40 – CONFIGURATION REGISTER 1 (POWER-ON DEFAULT = 0x04)**

| Bit No. | Mnemonic             | R/W (Note 1) | Description   |
|---------|----------------------|--------------|---|
| [0]     | STRT<br>(Notes 2, 3) | R/W          | Logic 1 enables monitoring and PWM control outputs based on the limit settings programmed. Logic 0 disables monitoring and PWM control is based on the default powerup limit settings. Note that the limit values programmed are preserved even if a Logic 0 is written to this bit and the default settings are enabled. This bit does not become locked once Bit 1 (Lock bit) is set. |
| [1]     | LOCK                 | Write once   | Logic 1 locks all limit values to their current settings. Once this bit is set, all lockable registers become read-only and cannot be modified until the ADT7490 is powered down and powered up again. This prevents rogue programs such as viruses from modifying critical system limit settings. (Lockable.)  |
| [2]     | RDY                  | Read-only    | This bit is set to 1 by the ADT7490 to indicate that the device is fully powered up and ready to begin system monitoring.   |
| [3]     | Fan Boost            | R/W          | When this bit is set to Logic 1, all PWM outputs go to 100% regardless of other fan speed configurations and automatic fan speed control settings. When this bit is set to 0, the fan speed control returns to the fan speed setting calculated by the preprogrammed fan speed control settings. This bit remains writable after the Lock bit is set.                                   |
| [4]     | PECI Monitor         | R/W          | Set this bit to Logic 1 to enable CPU thermal monitoring via PECI interface. This bit becomes read-only when the Lock bit is set.   |
| [5]     | THERM in Manual      | R/W          | When this bit is set to Logic 1, THERM is enabled so that the fans go to 100% duty cycle on a THERM or T <sub>CONTROL</sub> assertion overriding any other fan setting, even when the PWMs are configured for manual mode, or disabled. This bit becomes read-only when the Lock bit is set.  |
| [7:6]   | RES                  | Read-only    | Reserved.   |

1. This register becomes read-only when the Configuration Register 1 (0x40) Lock bit is set to 1. Any subsequent attempts to write to this register fail.
2. Bit 0 (STRT) of Configuration Register 1 (0x40) remains writable after the Lock bit is set.
3. When monitoring (STRT) is disabled, PWM outputs always go to 100% for thermal protection.

## ADT7490

**Table 63. REGISTER 0x41 – INTERRUPT STATUS REGISTER 1 (POWER-ON DEFAULT = 0x00)**

| Bit No. | Mnemonic                        | R/W       | Description  |
|---------|---------------------------------|-----------|--|
| [0]     | +2.5 V <sub>IN</sub> /<br>THERM | Read-only | +2.5 V <sub>IN</sub> = 1 indicates that the 2.5 V <sub>IN</sub> high or low limit has been exceeded. This bit is cleared on a read of the status register only if the error condition has subsided. If Pin 22 is configured as THERM, this bit is asserted when the timer limit has been exceeded.   |
| [1]     | V <sub>CCP</sub>                | Read-only | V <sub>CCP</sub> = 1 indicates that the V <sub>CCP</sub> high or low limit has been exceeded. This bit is cleared on a read of the status register only if the error condition has subsided.   |
| [2]     | V <sub>CC</sub>                 | Read-only | V <sub>CC</sub> = 1 indicates that the V <sub>CC</sub> high or low limit has been exceeded. This bit is cleared on a read of the status register only if the error condition has subsided.   |
| [3]     | +5 V <sub>IN</sub>              | Read-only | +5 V <sub>IN</sub> = 1 indicates that the 5 V <sub>IN</sub> high or low limit has been exceeded. This bit is cleared on a read of the status register only if the error condition has subsided.  |
| [4]     | R1T                             | Read-only | R1T = 1 indicates that the Remote 1 low or high temperature has been exceeded. This bit is cleared on a read of the status register only if the error condition has subsided.  |
| [5]     | LT                              | Read-only | LT = 1 indicates that the local low or high temperature has been exceeded. This bit is cleared on a read of the status register only if the error condition has subsided.  |
| [6]     | R2T                             | Read-only | R2T = 1 indicates that the Remote 2 low or high temperature has been exceeded. This bit is cleared on a read of the status register only if the error condition has subsided.  |
| [7]     | OOL                             | Read-only | OOL = 1 indicates that an out-of-limit event has been latched in Interrupt Status Register 2 (0x42). This bit is a logical OR of all status bits in Interrupt Status Register 2. Software can test this bit in isolation to determine whether any of the voltage, temperature, or fan speed readings represented by Interrupt Status Register 2 are out-of-limit, which eliminates the need to read Interrupt Status Register 2 during every interrupt or polling cycle. |

**Table 64. REGISTER 0x42 – INTERRUPT STATUS REGISTER 2 (POWER-ON DEFAULT = 0x00)**

| Bit No. | Mnemonic            | R/W       | Description  |
|---------|---------------------|-----------|--|
| [0]     | +12 V <sub>IN</sub> | Read-only | +12 V <sub>IN</sub> = 1 indicates that the 12 V <sub>IN</sub> high or low limit has been exceeded. This bit is cleared on a read of the status register only if the error condition has subsided.  |
| [1]     | OOL                 | Read-only | OOL = 1 indicates that an out-of-limit event has been latched in Interrupt Status Register 3 (0x43). This bit is a logical OR of all status bits in Interrupt Status Register 3. Software can test this bit in isolation to determine whether any of the voltage, temperature, or fan speed readings represented by Interrupt Status Register 3 are out-of-limit, which eliminates the need to read Interrupt Status Register 3 during every interrupt or polling cycle. |
| [2]     | FAN1                | Read-only | FAN1 = 1 indicates that Fan 1 has dropped below minimum speed or has stalled. This bit is not set when the PWM1 output is off.   |
| [3]     | FAN2                | Read-only | FAN2 = 1 indicates that Fan 2 has dropped below minimum speed or has stalled. This bit is not set when the PWM2 output is off.   |
| [4]     | FAN3                | Read-only | FAN3 = 1 indicates that Fan 3 has dropped below minimum speed or has stalled. This bit is not set when the PWM3 output is off.   |
| [5]     | FAN4/<br>THERM      | Read-only | When Pin 14 is programmed as a TACH4 input, FAN4 = 1 indicates that Fan 4 has dropped below minimum speed or has stalled. This bit is not set when the PWM3 output is off. If Pin 14 is configured as the THERM timer input for THERM monitoring, this bit is set when the THERM assertion time exceeds the limit programmed in the THERM timer limit register (Register 0x7A).  |
| [6]     | D1 FAULT            | Read-only | D1 FAULT = 1 indicates either an open or short circuit on the Thermal Diode 1 inputs.  |
| [7]     | D2 FAULT            | Read-only | D2 FAULT = 1 indicates either an open or short circuit on the Thermal Diode 2 inputs.  |

**Table 65. REGISTER 0x43 – INTERRUPT STATUS REGISTER 3 (POWER-ON DEFAULT = 0x00)**

| Bit No. | Mnemonic                     | R/W       | Description  |
|---------|------------------------------|-----------|--|
| [0]     | PECI0                        | Read-only | A Logic 1 indicates that the PECl high or low limit has been exceeded by the PECl value from PECl Client Address 0x30. This bit is cleared on a read of the status register only if the error condition has subsided.  |
| [1]     | DATA                         | Read-only | A Logic 1 indicates that valid PECl data cannot be obtained for the processor and a specified error code has been recorded.  |
| [2]     | COMM                         | Read-only | A Logic 1 indicates that there is a communications error (for example, invalid FCS) on the PECl interface.   |
| [3]     | OVT<br>(THERM<br>Temp Limit) | Read-only | OVT = 1 indicates that one of the THERM overtemperature limits has been exceeded. This bit is cleared on a read of the status register when the temperature drops below THERM – T <sub>HYST</sub> .  |
| [6:4]   | RES                          | Read-only | Reserved   |
| [7]     | OOL                          | Read-only | OOL = 1 indicates that an out-of-limit event has been latched in Interrupt Status Register 4 (0x81). This bit is a logical OR of all status bits in Interrupt Status Register 4. Software can test this bit in isolation to determine whether any of the voltage, temperature, or fan speed readings represented by Interrupt Status Register 4 are out-of-limit, which eliminates the need to read Interrupt Status Register 4 during every interrupt or polling cycle. |

**Table 66. VOLTAGE LIMIT REGISTERS (Note 1)**

| Register Address | R/W | Description (Note 2)            | Power-On Default |
|------------------|-----|---------------------------------|------------------|
| 0x44             | R/W | +2.5 V <sub>IN</sub> Low Limit  | 0x00             |
| 0x45             | R/W | +2.5 V <sub>IN</sub> High Limit | 0xFF             |
| 0x46             | R/W | V <sub>CCP</sub> Low Limit      | 0x00             |
| 0x47             | R/W | V <sub>CCP</sub> High Limit     | 0xFF             |
| 0x48             | R/W | V <sub>CC</sub> Low Limit       | 0x00             |
| 0x49             | R/W | V <sub>CC</sub> High Limit      | 0xFF             |
| 0x4A             | R/W | +5 V <sub>IN</sub> Low Limit    | 0x00             |
| 0x4B             | R/W | +5 V <sub>IN</sub> High Limit   | 0xFF             |
| 0x4C             | R/W | +12 V <sub>IN</sub> Low Limit   | 0x00             |
| 0x4D             | R/W | +12 V <sub>IN</sub> High Limit  | 0xFF             |

- Setting the Configuration Register 1 (0x40) Lock bit has no effect on these registers.
- High limits: An interrupt is generated when a value exceeds its high limit (> comparison). Low limits: An interrupt is generated when a value is equal to or below its low limit (≤ comparison).

**Table 67. TEMPERATURE LIMIT REGISTERS (Note 1)**

| Register Address | R/W | Description (Note 2)            | Power-On Default |
|------------------|-----|---------------------------------|------------------|
| 0x4E             | R/W | Remote 1 Temperature Low Limit  | 0x81             |
| 0x4F             | R/W | Remote 1 Temperature High Limit | 0x7F             |
| 0x50             | R/W | Local Temperature Low Limit     | 0x81             |
| 0x51             | R/W | Local Temperature High Limit    | 0x7F             |
| 0x52             | R/W | Remote 2 Temperature Low Limit  | 0x81             |
| 0x53             | R/W | Remote 2 Temperature High Limit | 0x7F             |

- Exceeding any of these temperature limits by 1°C causes the appropriate status bit to be set in the interrupt status register. Setting the Configuration Register 1 (0x40) Lock bit has no effect on these registers.
- High limits: An interrupt is generated when a value exceeds its high limit (> comparison). Low limits: An interrupt is generated when a value is equal to or below its low limit (≤ comparison).

# ADT7490

**Table 68. FAN TACHOMETER LIMIT REGISTERS** (Note 1)

| Register Address | R/W | Description   | Power-On Default |
|------------------|-----|---|------------------|
| 0x34             | R/W | PECI Low Limit  | 0x81             |
| 0x54             | R/W | TACH1 Minimum Low Byte                                    | 0xFF             |
| 0x55             | R/W | TACH1 Minimum High Byte/Single-channel ADC Channel Select | 0xFF             |
| 0x56             | R/W | TACH2 Minimum Low Byte                                    | 0xFF             |
| 0x57             | R/W | TACH2 Minimum High Byte                                   | 0xFF             |
| 0x58             | R/W | TACH3 Minimum Low Byte                                    | 0xFF             |
| 0x59             | R/W | TACH3 Minimum High Byte                                   | 0xFF             |
| 0x5A             | R/W | TACH4 Minimum Low Byte                                    | 0xFF             |
| 0x5B             | R/W | TACH4 Minimum High Byte                                   | 0xFF             |

1. Exceeding any of the TACH limit registers by 1 indicates that the fan is running too slowly or has stalled. The appropriate status bit is set in Interrupt Status Register 2 (0x42) to indicate fan failure. Setting the Configuration Register 1 (0x40) Lock bit has no effect on these registers.

**Table 69. REGISTER 0x55 – TACH1 MINIMUM HIGH BYTE (POWER-ON DEFAULT = 0xFF)**

| Bit No.  | Mnemonic              | R/W       | Description   |          |                       |      |                      |      |                  |      |                 |      |                    |      |                     |      |                      |      |                   |      |                      |      |                 |      |                  |
|----------|-----------------------|-----------|---|----------|-----------------------|------|----------------------|------|------------------|------|-----------------|------|--------------------|------|---------------------|------|----------------------|------|-------------------|------|----------------------|------|-----------------|------|------------------|
| [3:0]    | Reserved              | Read-only | When Bit 6 of Configuration 2 Register (0x73) is set (single-channel ADC mode), these bits are reserved. Otherwise, these bits represent Bits [3:0] of the TACH1 minimum high byte.   |          |                       |      |                      |      |                  |      |                 |      |                    |      |                     |      |                      |      |                   |      |                      |      |                 |      |                  |
| [7:4]    | SCADC                 | R/W       | When Bit 6 of Configuration 2 Register (0x73) is set (single-channel ADC mode), these bits are used to select the only channel from which the ADC will take measurements. Otherwise, these bits represent Bits [7:4] of the TACH1 minimum high byte.<br><br><table style="width: 100%; border-collapse: collapse;"> <thead> <tr> <th style="text-align: left;">Bit Code</th> <th style="text-align: left;">Single-channel Select</th> </tr> </thead> <tbody> <tr><td>0000</td><td>+2.5 V<sub>IN</sub></td></tr> <tr><td>0001</td><td>V<sub>CCP</sub></td></tr> <tr><td>0010</td><td>V<sub>CC</sub></td></tr> <tr><td>0011</td><td>+5 V<sub>IN</sub></td></tr> <tr><td>0100</td><td>+12 V<sub>IN</sub></td></tr> <tr><td>0101</td><td>Remote 1 Temperature</td></tr> <tr><td>0110</td><td>Local Temperature</td></tr> <tr><td>0111</td><td>Remote 2 Temperature</td></tr> <tr><td>1000</td><td>V<sub>TT</sub></td></tr> <tr><td>1001</td><td>I<sub>MON</sub></td></tr> </tbody> </table> | Bit Code | Single-channel Select | 0000 | +2.5 V <sub>IN</sub> | 0001 | V <sub>CCP</sub> | 0010 | V <sub>CC</sub> | 0011 | +5 V <sub>IN</sub> | 0100 | +12 V <sub>IN</sub> | 0101 | Remote 1 Temperature | 0110 | Local Temperature | 0111 | Remote 2 Temperature | 1000 | V <sub>TT</sub> | 1001 | I <sub>MON</sub> |
| Bit Code | Single-channel Select |           |   |          |                       |      |                      |      |                  |      |                 |      |                    |      |                     |      |                      |      |                   |      |                      |      |                 |      |                  |
| 0000     | +2.5 V <sub>IN</sub>  |           |   |          |                       |      |                      |      |                  |      |                 |      |                    |      |                     |      |                      |      |                   |      |                      |      |                 |      |                  |
| 0001     | V <sub>CCP</sub>      |           |   |          |                       |      |                      |      |                  |      |                 |      |                    |      |                     |      |                      |      |                   |      |                      |      |                 |      |                  |
| 0010     | V <sub>CC</sub>       |           |   |          |                       |      |                      |      |                  |      |                 |      |                    |      |                     |      |                      |      |                   |      |                      |      |                 |      |                  |
| 0011     | +5 V <sub>IN</sub>    |           |   |          |                       |      |                      |      |                  |      |                 |      |                    |      |                     |      |                      |      |                   |      |                      |      |                 |      |                  |
| 0100     | +12 V <sub>IN</sub>   |           |   |          |                       |      |                      |      |                  |      |                 |      |                    |      |                     |      |                      |      |                   |      |                      |      |                 |      |                  |
| 0101     | Remote 1 Temperature  |           |   |          |                       |      |                      |      |                  |      |                 |      |                    |      |                     |      |                      |      |                   |      |                      |      |                 |      |                  |
| 0110     | Local Temperature     |           |   |          |                       |      |                      |      |                  |      |                 |      |                    |      |                     |      |                      |      |                   |      |                      |      |                 |      |                  |
| 0111     | Remote 2 Temperature  |           |   |          |                       |      |                      |      |                  |      |                 |      |                    |      |                     |      |                      |      |                   |      |                      |      |                 |      |                  |
| 1000     | V <sub>TT</sub>       |           |   |          |                       |      |                      |      |                  |      |                 |      |                    |      |                     |      |                      |      |                   |      |                      |      |                 |      |                  |
| 1001     | I <sub>MON</sub>      |           |   |          |                       |      |                      |      |                  |      |                 |      |                    |      |                     |      |                      |      |                   |      |                      |      |                 |      |                  |

**Table 70. PWM CONFIGURATION REGISTERS**

| Register Address | R/W (Note 1) | Description        | Power-On Default |
|------------------|--------------|--------------------|------------------|
| 0x34             | R/W          | PECI Low Limit     | 0x81             |
| 0x5C             | R/W          | PWM1 Configuration | 0x62             |
| 0x5D             | R/W          | PWM2 Configuration | 0x62             |
| 0x5E             | R/W          | PWM3 Configuration | 0x62             |

1. These registers become read-only when the Configuration Register 1 (0x40) Lock bit is set to 1. Any subsequent attempts to write to these registers fail.



**Table 71. REGISTER 0x5C, REGISTER 0x5D, AND REGISTER 0x5E – PWM1, PWM2, AND PWM3 CONFIGURATION REGISTERS (POWER-ON DEFAULT = 0x62)**

| Bit No.   | Mnemonic   | R/W (Note 1) | Description   |                              |   |  |   |   |   |  |   |                                       |   |                      |   |   |  |  |   |   |  |
|---|--|--------------|---|------------------------------|---|--|---|---|---|--|---|---------------------------------------|---|----------------------|---|---|--|--|---|---|--|
| [2:0]   | SPIN   | R/W          | <p>These bits control the startup timeout for PWMx. The PWM output stays high until two valid TACH rising edges are seen from the fan. If there is not a valid TACH signal during the fan TACH measurement directly after the fan startup timeout period, the TACH measurement reads 0xFFFF and Interrupt Status Register 2 reflects the fan fault. If the TACH minimum high and low bytes contain 0xFFFF or 0x0000, then the Interrupt Status Register 2 bit is not set, even if the fan has not started.</p> <table border="0"> <tr> <td><b>Bit Code</b></td> <td><b>Startup Time</b></td> </tr> <tr> <td>000</td> <td>No Startup Timeout</td> </tr> <tr> <td>001</td> <td>100 ms</td> </tr> <tr> <td>010</td> <td>250 ms (Default)</td> </tr> <tr> <td>011</td> <td>400 ms</td> </tr> <tr> <td>100</td> <td>667 ms</td> </tr> <tr> <td>101</td> <td>1 sec</td> </tr> <tr> <td>110</td> <td>2 sec</td> </tr> <tr> <td>111</td> <td>4 sec</td> </tr> </table>  | <b>Bit Code</b>              | <b>Startup Time</b>                       | 000  | No Startup Timeout  | 001   | 100 ms  | 010  | 250 ms (Default)  | 011                                   | 400 ms  | 100                  | 667 ms  | 101   | 1 sec  | 110  | 2 sec   | 111   | 4 sec  |
| <b>Bit Code</b>   | <b>Startup Time</b>  |              |   |                              |   |  |   |   |   |  |   |                                       |   |                      |   |   |  |  |   |   |  |
| 000   | No Startup Timeout   |              |   |                              |   |  |   |   |   |  |   |                                       |   |                      |   |   |  |  |   |   |  |
| 001   | 100 ms   |              |   |                              |   |  |   |   |   |  |   |                                       |   |                      |   |   |  |  |   |   |  |
| 010   | 250 ms (Default)   |              |   |                              |   |  |   |   |   |  |   |                                       |   |                      |   |   |  |  |   |   |  |
| 011   | 400 ms   |              |   |                              |   |  |   |   |   |  |   |                                       |   |                      |   |   |  |  |   |   |  |
| 100   | 667 ms   |              |   |                              |   |  |   |   |   |  |   |                                       |   |                      |   |   |  |  |   |   |  |
| 101   | 1 sec  |              |   |                              |   |  |   |   |   |  |   |                                       |   |                      |   |   |  |  |   |   |  |
| 110   | 2 sec  |              |   |                              |   |  |   |   |   |  |   |                                       |   |                      |   |   |  |  |   |   |  |
| 111   | 4 sec  |              |   |                              |   |  |   |   |   |  |   |                                       |   |                      |   |   |  |  |   |   |  |
| [3]   | ALT  | R/W          | Use alternative behavior setting options in Bits [7:5] below for PWMx by setting this bit to 1. Default = 0.  |                              |   |  |   |   |   |  |   |                                       |   |                      |   |   |  |  |   |   |  |
| [4]   | INV  | R/W          | This bit inverts the PWM output. The default is 0, which corresponds to a logic high output for 100% duty cycle. Setting this bit to 1 inverts the PWM output, so a 100% duty cycle corresponds to a logic low output.  |                              |   |  |   |   |   |  |   |                                       |   |                      |   |   |  |  |   |   |  |
| [7:5]   | BHVR (Note 2)  | R/W          | <p>These bits assign each fan to a particular temperature sensor for localized cooling. Setting Bit 3 to Logic 1 in this register chooses whether the default of alternative behavior option is selected.</p> <table border="0"> <tr> <td><b>Default Behavior Bits</b></td> <td><b>Alternative Behavior Bits (Note 2)</b></td> </tr> <tr> <td>000 = Remote 1 temperature controls PWMx (automatic fan control mode).</td> <td>000 = PECI0 reading controls PWMx (automatic fan control mode).</td> </tr> <tr> <td>001 = Local temperature controls PWMx (automatic fan control mode).</td> <td>001 = PECI1 reading controls PWMx (automatic fan control mode).</td> </tr> <tr> <td>010 = Remote 2 temperature controls PWMx (automatic fan control mode).</td> <td>010 = PECI2 reading controls PWMx (automatic fan control mode).</td> </tr> <tr> <td>011 = PWMx runs full speed (default).</td> <td>011 = PECI3 reading controls PWMx (automatic fan control mode).</td> </tr> <tr> <td>100 = PWMx disabled.</td> <td>100 = Reserved. If selected, fans run at 100% duty cycle.</td> </tr> <tr> <td>101 = Fastest speed calculated by local and Remote 2 temperature controls PWMx.</td> <td>101 = Fastest of all four PECI channels. Fastest speed calculated by all four PECI readings.</td> </tr> <tr> <td>110 = Fastest speed calculated by all three temperature channel controls PWMx.</td> <td>110 = Reserved. If selected, fans run at 100% duty cycle.</td> </tr> <tr> <td>111 = Manual mode. PWM duty cycle registers (Register 0x30 to Register 0x32) become writable.</td> <td>111 = Fastest speed calculated by all of the thermal zones (Local, Remote 1, Remote 2, and PECI temperatures).</td> </tr> </table> | <b>Default Behavior Bits</b> | <b>Alternative Behavior Bits (Note 2)</b> | 000 = Remote 1 temperature controls PWMx (automatic fan control mode). | 000 = PECI0 reading controls PWMx (automatic fan control mode). | 001 = Local temperature controls PWMx (automatic fan control mode). | 001 = PECI1 reading controls PWMx (automatic fan control mode). | 010 = Remote 2 temperature controls PWMx (automatic fan control mode). | 010 = PECI2 reading controls PWMx (automatic fan control mode). | 011 = PWMx runs full speed (default). | 011 = PECI3 reading controls PWMx (automatic fan control mode). | 100 = PWMx disabled. | 100 = Reserved. If selected, fans run at 100% duty cycle. | 101 = Fastest speed calculated by local and Remote 2 temperature controls PWMx. | 101 = Fastest of all four PECI channels. Fastest speed calculated by all four PECI readings. | 110 = Fastest speed calculated by all three temperature channel controls PWMx. | 110 = Reserved. If selected, fans run at 100% duty cycle. | 111 = Manual mode. PWM duty cycle registers (Register 0x30 to Register 0x32) become writable. | 111 = Fastest speed calculated by all of the thermal zones (Local, Remote 1, Remote 2, and PECI temperatures). |
| <b>Default Behavior Bits</b>  | <b>Alternative Behavior Bits (Note 2)</b>  |              |   |                              |   |  |   |   |   |  |   |                                       |   |                      |   |   |  |  |   |   |  |
| 000 = Remote 1 temperature controls PWMx (automatic fan control mode).                        | 000 = PECI0 reading controls PWMx (automatic fan control mode).  |              |   |                              |   |  |   |   |   |  |   |                                       |   |                      |   |   |  |  |   |   |  |
| 001 = Local temperature controls PWMx (automatic fan control mode).                           | 001 = PECI1 reading controls PWMx (automatic fan control mode).  |              |   |                              |   |  |   |   |   |  |   |                                       |   |                      |   |   |  |  |   |   |  |
| 010 = Remote 2 temperature controls PWMx (automatic fan control mode).                        | 010 = PECI2 reading controls PWMx (automatic fan control mode).  |              |   |                              |   |  |   |   |   |  |   |                                       |   |                      |   |   |  |  |   |   |  |
| 011 = PWMx runs full speed (default).   | 011 = PECI3 reading controls PWMx (automatic fan control mode).  |              |   |                              |   |  |   |   |   |  |   |                                       |   |                      |   |   |  |  |   |   |  |
| 100 = PWMx disabled.  | 100 = Reserved. If selected, fans run at 100% duty cycle.  |              |   |                              |   |  |   |   |   |  |   |                                       |   |                      |   |   |  |  |   |   |  |
| 101 = Fastest speed calculated by local and Remote 2 temperature controls PWMx.               | 101 = Fastest of all four PECI channels. Fastest speed calculated by all four PECI readings.                   |              |   |                              |   |  |   |   |   |  |   |                                       |   |                      |   |   |  |  |   |   |  |
| 110 = Fastest speed calculated by all three temperature channel controls PWMx.                | 110 = Reserved. If selected, fans run at 100% duty cycle.  |              |   |                              |   |  |   |   |   |  |   |                                       |   |                      |   |   |  |  |   |   |  |
| 111 = Manual mode. PWM duty cycle registers (Register 0x30 to Register 0x32) become writable. | 111 = Fastest speed calculated by all of the thermal zones (Local, Remote 1, Remote 2, and PECI temperatures). |              |   |                              |   |  |   |   |   |  |   |                                       |   |                      |   |   |  |  |   |   |  |

1. This register becomes read-only when the Configuration Register 1 (0x40) Lock bit is set to 1. Any subsequent attempts to write to this register fail.
2. When REPLACE mode is selected, (Register 0x36, Bit 4 set to 1) PWM1 is automatically configured for the alternative behavior setting. Register 0x36, Bits [7:5] should be set to 000 only.

**Table 72. TEMPERATURE T<sub>RANGE</sub>/PWM FREQUENCY REGISTERS**

| Register Address | R/W (Note 1) | Description                                 | Power-On Default |
|------------------|--------------|---|------------------|
| 0x5F             | R/W          | Remote 1 T <sub>RANGE</sub> /PWM1 Frequency | 0xC4             |
| 0x60             | R/W          | Local T <sub>RANGE</sub> /PWM2 Frequency    | 0xC4             |
| 0x61             | R/W          | Remote 2 T <sub>RANGE</sub> /PWM3 Frequency | 0xC4             |

1. These registers become read-only when the Configuration Register 1 (0x40) Lock bit is set. Any further attempts to write to these registers have no effect.

# ADT7490

**Table 73. REGISTER 0x5F, REGISTER 0x60, AND REGISTER 0x61 – REMOTE 1 T<sub>RANGE</sub>/PWM1 FREQUENCY, LOCAL T<sub>RANGE</sub>/PWM2 FREQUENCY, AND REMOTE 2 T<sub>RANGE</sub>/PWM3 FREQUENCY (POWER-ON DEFAULT = 0xC4)**

| Bit No.  | Mnemonic          | R/W (Note 1) | Description   |          |             |      |         |      |         |      |         |      |         |      |                   |      |         |      |         |      |         |      |         |      |      |      |      |      |         |      |                |      |      |      |         |      |      |
|----------|-------------------|--------------|---|----------|-------------|------|---------|------|---------|------|---------|------|---------|------|-------------------|------|---------|------|---------|------|---------|------|---------|------|------|------|------|------|---------|------|----------------|------|------|------|---------|------|------|
| [2:0]    | FREQ              | R/W          | <p>These bits control the PWMx frequency (only apply when PWM channel is in low frequency mode).</p> <table border="0"> <thead> <tr> <th>Bit Code</th> <th>Frequency</th> </tr> </thead> <tbody> <tr><td>000</td><td>11.0 Hz</td></tr> <tr><td>001</td><td>14.7 Hz</td></tr> <tr><td>010</td><td>22.1 Hz</td></tr> <tr><td>011</td><td>29.4 Hz</td></tr> <tr><td>100</td><td>35.3 Hz (Default)</td></tr> <tr><td>101</td><td>44.1 Hz</td></tr> <tr><td>110</td><td>58.8 Hz</td></tr> <tr><td>111</td><td>88.2 Hz</td></tr> </tbody> </table>  | Bit Code | Frequency   | 000  | 11.0 Hz | 001  | 14.7 Hz | 010  | 22.1 Hz | 011  | 29.4 Hz | 100  | 35.3 Hz (Default) | 101  | 44.1 Hz | 110  | 58.8 Hz | 111  | 88.2 Hz |      |         |      |      |      |      |      |         |      |                |      |      |      |         |      |      |
| Bit Code | Frequency         |              |   |          |             |      |         |      |         |      |         |      |         |      |                   |      |         |      |         |      |         |      |         |      |      |      |      |      |         |      |                |      |      |      |         |      |      |
| 000      | 11.0 Hz           |              |   |          |             |      |         |      |         |      |         |      |         |      |                   |      |         |      |         |      |         |      |         |      |      |      |      |      |         |      |                |      |      |      |         |      |      |
| 001      | 14.7 Hz           |              |   |          |             |      |         |      |         |      |         |      |         |      |                   |      |         |      |         |      |         |      |         |      |      |      |      |      |         |      |                |      |      |      |         |      |      |
| 010      | 22.1 Hz           |              |   |          |             |      |         |      |         |      |         |      |         |      |                   |      |         |      |         |      |         |      |         |      |      |      |      |      |         |      |                |      |      |      |         |      |      |
| 011      | 29.4 Hz           |              |   |          |             |      |         |      |         |      |         |      |         |      |                   |      |         |      |         |      |         |      |         |      |      |      |      |      |         |      |                |      |      |      |         |      |      |
| 100      | 35.3 Hz (Default) |              |   |          |             |      |         |      |         |      |         |      |         |      |                   |      |         |      |         |      |         |      |         |      |      |      |      |      |         |      |                |      |      |      |         |      |      |
| 101      | 44.1 Hz           |              |   |          |             |      |         |      |         |      |         |      |         |      |                   |      |         |      |         |      |         |      |         |      |      |      |      |      |         |      |                |      |      |      |         |      |      |
| 110      | 58.8 Hz           |              |   |          |             |      |         |      |         |      |         |      |         |      |                   |      |         |      |         |      |         |      |         |      |      |      |      |      |         |      |                |      |      |      |         |      |      |
| 111      | 88.2 Hz           |              |   |          |             |      |         |      |         |      |         |      |         |      |                   |      |         |      |         |      |         |      |         |      |      |      |      |      |         |      |                |      |      |      |         |      |      |
| [3]      | HF/LF             | R/W          | <p>HF/LF = 1, high frequency PWM mode is enabled for PWMx.<br/>                     HF/LF = 0, low frequency PWM mode is enabled for PWMx.</p>  |          |             |      |         |      |         |      |         |      |         |      |                   |      |         |      |         |      |         |      |         |      |      |      |      |      |         |      |                |      |      |      |         |      |      |
| [7:4]    | RANGE             | R/W          | <p>These bits determine the PWM duty cycle vs. the temperature range for automatic fan control.</p> <table border="0"> <thead> <tr> <th>Bit Code</th> <th>Temperature</th> </tr> </thead> <tbody> <tr><td>0000</td><td>2°C</td></tr> <tr><td>0001</td><td>2.5°C</td></tr> <tr><td>0010</td><td>3.33°C</td></tr> <tr><td>0011</td><td>4°C</td></tr> <tr><td>0100</td><td>5°C</td></tr> <tr><td>0101</td><td>6.67°C</td></tr> <tr><td>0110</td><td>8°C</td></tr> <tr><td>0111</td><td>10°C</td></tr> <tr><td>1000</td><td>13.33°C</td></tr> <tr><td>1001</td><td>16°C</td></tr> <tr><td>1010</td><td>20°C</td></tr> <tr><td>1011</td><td>26.67°C</td></tr> <tr><td>1100</td><td>32°C (Default)</td></tr> <tr><td>1101</td><td>40°C</td></tr> <tr><td>1110</td><td>53.33°C</td></tr> <tr><td>1111</td><td>80°C</td></tr> </tbody> </table> | Bit Code | Temperature | 0000 | 2°C     | 0001 | 2.5°C   | 0010 | 3.33°C  | 0011 | 4°C     | 0100 | 5°C               | 0101 | 6.67°C  | 0110 | 8°C     | 0111 | 10°C    | 1000 | 13.33°C | 1001 | 16°C | 1010 | 20°C | 1011 | 26.67°C | 1100 | 32°C (Default) | 1101 | 40°C | 1110 | 53.33°C | 1111 | 80°C |
| Bit Code | Temperature       |              |   |          |             |      |         |      |         |      |         |      |         |      |                   |      |         |      |         |      |         |      |         |      |      |      |      |      |         |      |                |      |      |      |         |      |      |
| 0000     | 2°C               |              |   |          |             |      |         |      |         |      |         |      |         |      |                   |      |         |      |         |      |         |      |         |      |      |      |      |      |         |      |                |      |      |      |         |      |      |
| 0001     | 2.5°C             |              |   |          |             |      |         |      |         |      |         |      |         |      |                   |      |         |      |         |      |         |      |         |      |      |      |      |      |         |      |                |      |      |      |         |      |      |
| 0010     | 3.33°C            |              |   |          |             |      |         |      |         |      |         |      |         |      |                   |      |         |      |         |      |         |      |         |      |      |      |      |      |         |      |                |      |      |      |         |      |      |
| 0011     | 4°C               |              |   |          |             |      |         |      |         |      |         |      |         |      |                   |      |         |      |         |      |         |      |         |      |      |      |      |      |         |      |                |      |      |      |         |      |      |
| 0100     | 5°C               |              |   |          |             |      |         |      |         |      |         |      |         |      |                   |      |         |      |         |      |         |      |         |      |      |      |      |      |         |      |                |      |      |      |         |      |      |
| 0101     | 6.67°C            |              |   |          |             |      |         |      |         |      |         |      |         |      |                   |      |         |      |         |      |         |      |         |      |      |      |      |      |         |      |                |      |      |      |         |      |      |
| 0110     | 8°C               |              |   |          |             |      |         |      |         |      |         |      |         |      |                   |      |         |      |         |      |         |      |         |      |      |      |      |      |         |      |                |      |      |      |         |      |      |
| 0111     | 10°C              |              |   |          |             |      |         |      |         |      |         |      |         |      |                   |      |         |      |         |      |         |      |         |      |      |      |      |      |         |      |                |      |      |      |         |      |      |
| 1000     | 13.33°C           |              |   |          |             |      |         |      |         |      |         |      |         |      |                   |      |         |      |         |      |         |      |         |      |      |      |      |      |         |      |                |      |      |      |         |      |      |
| 1001     | 16°C              |              |   |          |             |      |         |      |         |      |         |      |         |      |                   |      |         |      |         |      |         |      |         |      |      |      |      |      |         |      |                |      |      |      |         |      |      |
| 1010     | 20°C              |              |   |          |             |      |         |      |         |      |         |      |         |      |                   |      |         |      |         |      |         |      |         |      |      |      |      |      |         |      |                |      |      |      |         |      |      |
| 1011     | 26.67°C           |              |   |          |             |      |         |      |         |      |         |      |         |      |                   |      |         |      |         |      |         |      |         |      |      |      |      |      |         |      |                |      |      |      |         |      |      |
| 1100     | 32°C (Default)    |              |   |          |             |      |         |      |         |      |         |      |         |      |                   |      |         |      |         |      |         |      |         |      |      |      |      |      |         |      |                |      |      |      |         |      |      |
| 1101     | 40°C              |              |   |          |             |      |         |      |         |      |         |      |         |      |                   |      |         |      |         |      |         |      |         |      |      |      |      |      |         |      |                |      |      |      |         |      |      |
| 1110     | 53.33°C           |              |   |          |             |      |         |      |         |      |         |      |         |      |                   |      |         |      |         |      |         |      |         |      |      |      |      |      |         |      |                |      |      |      |         |      |      |
| 1111     | 80°C              |              |   |          |             |      |         |      |         |      |         |      |         |      |                   |      |         |      |         |      |         |      |         |      |      |      |      |      |         |      |                |      |      |      |         |      |      |

1. This register becomes read-only when the Configuration Register 1 (0x40) Lock bit is set. Any further attempts to write to this register have no effect.

# ADT7490

**Table 74. REGISTER 0x62 – ENHANCED ACOUSTICS REGISTER 1 (POWER-ON DEFAULT = 0x00)**

| Bit No.  | Mnemonic            | R/W<br>(Note 1) | Description  |          |                     |         |          |         |          |         |          |         |         |         |         |          |         |          |         |          |         |          |                     |         |          |         |          |         |          |         |          |         |         |          |         |          |         |          |         |
|----------|---------------------|-----------------|--|----------|---------------------|---------|----------|---------|----------|---------|----------|---------|---------|---------|---------|----------|---------|----------|---------|----------|---------|----------|---------------------|---------|----------|---------|----------|---------|----------|---------|----------|---------|---------|----------|---------|----------|---------|----------|---------|
| [2:0]    | ACOU<br>(Note 2)    | R/W             | <p>Assuming that PWMx is associated with the Remote 1 temperature channel, these bits define the maximum rate of change of the PWMx output for Remote 1 temperature-related changes. Instead of the fan speed jumping instantaneously to its newly determined speed, it ramps gracefully at the rate determined by these bits. This feature ultimately enhances the acoustics of the fan.</p> <p><b>When Bit 7 of Configuration Register 6 (0x10) is 0</b></p> <table border="0"> <thead> <tr> <th>Bit Code</th> <th>Time for 0% to 100%</th> </tr> </thead> <tbody> <tr><td>000 = 1</td><td>37.5 sec</td></tr> <tr><td>001 = 2</td><td>18.8 sec</td></tr> <tr><td>010 = 3</td><td>12.5 sec</td></tr> <tr><td>011 = 4</td><td>7.5 sec</td></tr> <tr><td>100 = 8</td><td>4.7 sec</td></tr> <tr><td>101 = 12</td><td>3.1 sec</td></tr> <tr><td>110 = 24</td><td>1.6 sec</td></tr> <tr><td>111 = 48</td><td>0.8 sec</td></tr> </tbody> </table> <p><b>When Bit 7 of Configuration Register 6 (0x10) is 1</b></p> <table border="0"> <thead> <tr> <th>Bit Code</th> <th>Time for 0% to 100%</th> </tr> </thead> <tbody> <tr><td>000 = 1</td><td>52.2 sec</td></tr> <tr><td>001 = 2</td><td>26.1 sec</td></tr> <tr><td>010 = 3</td><td>17.4 sec</td></tr> <tr><td>011 = 4</td><td>10.4 sec</td></tr> <tr><td>100 = 8</td><td>6.5 sec</td></tr> <tr><td>101 = 12</td><td>4.4 sec</td></tr> <tr><td>110 = 24</td><td>2.2 sec</td></tr> <tr><td>111 = 48</td><td>1.1 sec</td></tr> </tbody> </table> | Bit Code | Time for 0% to 100% | 000 = 1 | 37.5 sec | 001 = 2 | 18.8 sec | 010 = 3 | 12.5 sec | 011 = 4 | 7.5 sec | 100 = 8 | 4.7 sec | 101 = 12 | 3.1 sec | 110 = 24 | 1.6 sec | 111 = 48 | 0.8 sec | Bit Code | Time for 0% to 100% | 000 = 1 | 52.2 sec | 001 = 2 | 26.1 sec | 010 = 3 | 17.4 sec | 011 = 4 | 10.4 sec | 100 = 8 | 6.5 sec | 101 = 12 | 4.4 sec | 110 = 24 | 2.2 sec | 111 = 48 | 1.1 sec |
| Bit Code | Time for 0% to 100% |                 |  |          |                     |         |          |         |          |         |          |         |         |         |         |          |         |          |         |          |         |          |                     |         |          |         |          |         |          |         |          |         |         |          |         |          |         |          |         |
| 000 = 1  | 37.5 sec            |                 |  |          |                     |         |          |         |          |         |          |         |         |         |         |          |         |          |         |          |         |          |                     |         |          |         |          |         |          |         |          |         |         |          |         |          |         |          |         |
| 001 = 2  | 18.8 sec            |                 |  |          |                     |         |          |         |          |         |          |         |         |         |         |          |         |          |         |          |         |          |                     |         |          |         |          |         |          |         |          |         |         |          |         |          |         |          |         |
| 010 = 3  | 12.5 sec            |                 |  |          |                     |         |          |         |          |         |          |         |         |         |         |          |         |          |         |          |         |          |                     |         |          |         |          |         |          |         |          |         |         |          |         |          |         |          |         |
| 011 = 4  | 7.5 sec             |                 |  |          |                     |         |          |         |          |         |          |         |         |         |         |          |         |          |         |          |         |          |                     |         |          |         |          |         |          |         |          |         |         |          |         |          |         |          |         |
| 100 = 8  | 4.7 sec             |                 |  |          |                     |         |          |         |          |         |          |         |         |         |         |          |         |          |         |          |         |          |                     |         |          |         |          |         |          |         |          |         |         |          |         |          |         |          |         |
| 101 = 12 | 3.1 sec             |                 |  |          |                     |         |          |         |          |         |          |         |         |         |         |          |         |          |         |          |         |          |                     |         |          |         |          |         |          |         |          |         |         |          |         |          |         |          |         |
| 110 = 24 | 1.6 sec             |                 |  |          |                     |         |          |         |          |         |          |         |         |         |         |          |         |          |         |          |         |          |                     |         |          |         |          |         |          |         |          |         |         |          |         |          |         |          |         |
| 111 = 48 | 0.8 sec             |                 |  |          |                     |         |          |         |          |         |          |         |         |         |         |          |         |          |         |          |         |          |                     |         |          |         |          |         |          |         |          |         |         |          |         |          |         |          |         |
| Bit Code | Time for 0% to 100% |                 |  |          |                     |         |          |         |          |         |          |         |         |         |         |          |         |          |         |          |         |          |                     |         |          |         |          |         |          |         |          |         |         |          |         |          |         |          |         |
| 000 = 1  | 52.2 sec            |                 |  |          |                     |         |          |         |          |         |          |         |         |         |         |          |         |          |         |          |         |          |                     |         |          |         |          |         |          |         |          |         |         |          |         |          |         |          |         |
| 001 = 2  | 26.1 sec            |                 |  |          |                     |         |          |         |          |         |          |         |         |         |         |          |         |          |         |          |         |          |                     |         |          |         |          |         |          |         |          |         |         |          |         |          |         |          |         |
| 010 = 3  | 17.4 sec            |                 |  |          |                     |         |          |         |          |         |          |         |         |         |         |          |         |          |         |          |         |          |                     |         |          |         |          |         |          |         |          |         |         |          |         |          |         |          |         |
| 011 = 4  | 10.4 sec            |                 |  |          |                     |         |          |         |          |         |          |         |         |         |         |          |         |          |         |          |         |          |                     |         |          |         |          |         |          |         |          |         |         |          |         |          |         |          |         |
| 100 = 8  | 6.5 sec             |                 |  |          |                     |         |          |         |          |         |          |         |         |         |         |          |         |          |         |          |         |          |                     |         |          |         |          |         |          |         |          |         |         |          |         |          |         |          |         |
| 101 = 12 | 4.4 sec             |                 |  |          |                     |         |          |         |          |         |          |         |         |         |         |          |         |          |         |          |         |          |                     |         |          |         |          |         |          |         |          |         |         |          |         |          |         |          |         |
| 110 = 24 | 2.2 sec             |                 |  |          |                     |         |          |         |          |         |          |         |         |         |         |          |         |          |         |          |         |          |                     |         |          |         |          |         |          |         |          |         |         |          |         |          |         |          |         |
| 111 = 48 | 1.1 sec             |                 |  |          |                     |         |          |         |          |         |          |         |         |         |         |          |         |          |         |          |         |          |                     |         |          |         |          |         |          |         |          |         |         |          |         |          |         |          |         |
| [3]      | EN1                 | R/W             | When this bit is 1, smoothing is enabled on Remote 1 temperature channel.  |          |                     |         |          |         |          |         |          |         |         |         |         |          |         |          |         |          |         |          |                     |         |          |         |          |         |          |         |          |         |         |          |         |          |         |          |         |
| [4]      | SYNC                | R/W             | SYNC = 1 synchronizes fan speed measurements on TACH2, TACH3, and TACH4 to PWM3. This allows up to three fans to be driven from PWM3 output and their speeds to be measured. SYNC = 0 synchronizes only TACH3 and TACH4 to PWM3 output.  |          |                     |         |          |         |          |         |          |         |         |         |         |          |         |          |         |          |         |          |                     |         |          |         |          |         |          |         |          |         |         |          |         |          |         |          |         |
| [5]      | MIN1                | R/W             | When the ADT7490 is in automatic fan control mode, this bit defines whether PWM1 is off (0% duty cycle) or at PWM1 minimum duty cycle when the controlling temperature is below its $T_{MIN}$ – hysteresis value.<br>0 = 0% duty cycle below $T_{MIN}$ – hysteresis.<br>1 = PWM1 minimum duty cycle below $T_{MIN}$ – hysteresis.  |          |                     |         |          |         |          |         |          |         |         |         |         |          |         |          |         |          |         |          |                     |         |          |         |          |         |          |         |          |         |         |          |         |          |         |          |         |
| [6]      | MIN2                | R/W             | When the ADT7490 is in automatic fan speed control mode, this bit defines whether PWM2 is off (0% duty cycle) or at PWM2 minimum duty cycle when the controlling temperature is below its $T_{MIN}$ – hysteresis value.<br>0 = 0% duty cycle below $T_{MIN}$ – hysteresis.<br>1 = PWM2 minimum duty cycle below $T_{MIN}$ – hysteresis.  |          |                     |         |          |         |          |         |          |         |         |         |         |          |         |          |         |          |         |          |                     |         |          |         |          |         |          |         |          |         |         |          |         |          |         |          |         |
| [7]      | MIN3                | R/W             | When the ADT7490 is in automatic fan speed control mode, this bit defines whether PWM3 is off (0% duty cycle) or at PWM3 minimum duty cycle when the controlling temperature is below its $T_{MIN}$ – hysteresis value.<br>0 = 0% duty cycle below $T_{MIN}$ – hysteresis.<br>1 = PWM3 minimum duty cycle below $T_{MIN}$ – hysteresis.  |          |                     |         |          |         |          |         |          |         |         |         |         |          |         |          |         |          |         |          |                     |         |          |         |          |         |          |         |          |         |         |          |         |          |         |          |         |

1. This register becomes read-only when the Configuration Register 1 (0x40) Lock bit is set to 1. Any further attempts to write to this register have no effect.
2. Setting the relevant bit of Configuration Register 6 (0x10, Bits [2:0]) further decreases these ramp rates by a factor of 4.

# ADT7490

**Table 75. REGISTER 0x63 – ENHANCED ACOUSTICS REGISTER 2 (POWER-ON DEFAULT = 0x00)**

| Bit No.         | Mnemonic                   | R/W (Note 1) | Description  |                 |                            |         |          |         |          |         |          |         |         |         |         |          |         |          |         |          |         |                 |                            |         |          |         |          |         |          |         |          |         |         |          |         |          |         |          |         |
|-----------------|----------------------------|--------------|--|-----------------|----------------------------|---------|----------|---------|----------|---------|----------|---------|---------|---------|---------|----------|---------|----------|---------|----------|---------|-----------------|----------------------------|---------|----------|---------|----------|---------|----------|---------|----------|---------|---------|----------|---------|----------|---------|----------|---------|
| [2:0]           | ACOU2                      | R/W          | <p>Assuming that PWMx is associated with the local temperature channel, these bits define the maximum rate of change of the PWMx output for local temperature-related changes. Instead of the fan speed jumping instantaneously to its newly determined speed, it ramps gracefully at the rate determined by these bits. This feature ultimately enhances the acoustics of the fan.</p> <p><b>When Bit 7 of Configuration Register 6 (0x10) is 0</b></p> <table border="0"> <tr> <td><b>Bit Code</b></td> <td><b>Time for 0% to 100%</b></td> </tr> <tr> <td>000 = 1</td> <td>37.5 sec</td> </tr> <tr> <td>001 = 2</td> <td>18.8 sec</td> </tr> <tr> <td>010 = 3</td> <td>12.5 sec</td> </tr> <tr> <td>011 = 4</td> <td>7.5 sec</td> </tr> <tr> <td>100 = 8</td> <td>4.7 sec</td> </tr> <tr> <td>101 = 12</td> <td>3.1 sec</td> </tr> <tr> <td>110 = 24</td> <td>1.6 sec</td> </tr> <tr> <td>111 = 48</td> <td>0.8 sec</td> </tr> </table> <p><b>When Bit 7 of Configuration Register 6 (0x10) is 1</b></p> <table border="0"> <tr> <td><b>Bit Code</b></td> <td><b>Time for 0% to 100%</b></td> </tr> <tr> <td>000 = 1</td> <td>52.2 sec</td> </tr> <tr> <td>001 = 2</td> <td>26.1 sec</td> </tr> <tr> <td>010 = 3</td> <td>17.4 sec</td> </tr> <tr> <td>011 = 4</td> <td>10.4 sec</td> </tr> <tr> <td>100 = 8</td> <td>6.5 sec</td> </tr> <tr> <td>101 = 12</td> <td>4.4 sec</td> </tr> <tr> <td>110 = 24</td> <td>2.2 sec</td> </tr> <tr> <td>111 = 48</td> <td>1.1 sec</td> </tr> </table> | <b>Bit Code</b> | <b>Time for 0% to 100%</b> | 000 = 1 | 37.5 sec | 001 = 2 | 18.8 sec | 010 = 3 | 12.5 sec | 011 = 4 | 7.5 sec | 100 = 8 | 4.7 sec | 101 = 12 | 3.1 sec | 110 = 24 | 1.6 sec | 111 = 48 | 0.8 sec | <b>Bit Code</b> | <b>Time for 0% to 100%</b> | 000 = 1 | 52.2 sec | 001 = 2 | 26.1 sec | 010 = 3 | 17.4 sec | 011 = 4 | 10.4 sec | 100 = 8 | 6.5 sec | 101 = 12 | 4.4 sec | 110 = 24 | 2.2 sec | 111 = 48 | 1.1 sec |
| <b>Bit Code</b> | <b>Time for 0% to 100%</b> |              |  |                 |                            |         |          |         |          |         |          |         |         |         |         |          |         |          |         |          |         |                 |                            |         |          |         |          |         |          |         |          |         |         |          |         |          |         |          |         |
| 000 = 1         | 37.5 sec                   |              |  |                 |                            |         |          |         |          |         |          |         |         |         |         |          |         |          |         |          |         |                 |                            |         |          |         |          |         |          |         |          |         |         |          |         |          |         |          |         |
| 001 = 2         | 18.8 sec                   |              |  |                 |                            |         |          |         |          |         |          |         |         |         |         |          |         |          |         |          |         |                 |                            |         |          |         |          |         |          |         |          |         |         |          |         |          |         |          |         |
| 010 = 3         | 12.5 sec                   |              |  |                 |                            |         |          |         |          |         |          |         |         |         |         |          |         |          |         |          |         |                 |                            |         |          |         |          |         |          |         |          |         |         |          |         |          |         |          |         |
| 011 = 4         | 7.5 sec                    |              |  |                 |                            |         |          |         |          |         |          |         |         |         |         |          |         |          |         |          |         |                 |                            |         |          |         |          |         |          |         |          |         |         |          |         |          |         |          |         |
| 100 = 8         | 4.7 sec                    |              |  |                 |                            |         |          |         |          |         |          |         |         |         |         |          |         |          |         |          |         |                 |                            |         |          |         |          |         |          |         |          |         |         |          |         |          |         |          |         |
| 101 = 12        | 3.1 sec                    |              |  |                 |                            |         |          |         |          |         |          |         |         |         |         |          |         |          |         |          |         |                 |                            |         |          |         |          |         |          |         |          |         |         |          |         |          |         |          |         |
| 110 = 24        | 1.6 sec                    |              |  |                 |                            |         |          |         |          |         |          |         |         |         |         |          |         |          |         |          |         |                 |                            |         |          |         |          |         |          |         |          |         |         |          |         |          |         |          |         |
| 111 = 48        | 0.8 sec                    |              |  |                 |                            |         |          |         |          |         |          |         |         |         |         |          |         |          |         |          |         |                 |                            |         |          |         |          |         |          |         |          |         |         |          |         |          |         |          |         |
| <b>Bit Code</b> | <b>Time for 0% to 100%</b> |              |  |                 |                            |         |          |         |          |         |          |         |         |         |         |          |         |          |         |          |         |                 |                            |         |          |         |          |         |          |         |          |         |         |          |         |          |         |          |         |
| 000 = 1         | 52.2 sec                   |              |  |                 |                            |         |          |         |          |         |          |         |         |         |         |          |         |          |         |          |         |                 |                            |         |          |         |          |         |          |         |          |         |         |          |         |          |         |          |         |
| 001 = 2         | 26.1 sec                   |              |  |                 |                            |         |          |         |          |         |          |         |         |         |         |          |         |          |         |          |         |                 |                            |         |          |         |          |         |          |         |          |         |         |          |         |          |         |          |         |
| 010 = 3         | 17.4 sec                   |              |  |                 |                            |         |          |         |          |         |          |         |         |         |         |          |         |          |         |          |         |                 |                            |         |          |         |          |         |          |         |          |         |         |          |         |          |         |          |         |
| 011 = 4         | 10.4 sec                   |              |  |                 |                            |         |          |         |          |         |          |         |         |         |         |          |         |          |         |          |         |                 |                            |         |          |         |          |         |          |         |          |         |         |          |         |          |         |          |         |
| 100 = 8         | 6.5 sec                    |              |  |                 |                            |         |          |         |          |         |          |         |         |         |         |          |         |          |         |          |         |                 |                            |         |          |         |          |         |          |         |          |         |         |          |         |          |         |          |         |
| 101 = 12        | 4.4 sec                    |              |  |                 |                            |         |          |         |          |         |          |         |         |         |         |          |         |          |         |          |         |                 |                            |         |          |         |          |         |          |         |          |         |         |          |         |          |         |          |         |
| 110 = 24        | 2.2 sec                    |              |  |                 |                            |         |          |         |          |         |          |         |         |         |         |          |         |          |         |          |         |                 |                            |         |          |         |          |         |          |         |          |         |         |          |         |          |         |          |         |
| 111 = 48        | 1.1 sec                    |              |  |                 |                            |         |          |         |          |         |          |         |         |         |         |          |         |          |         |          |         |                 |                            |         |          |         |          |         |          |         |          |         |         |          |         |          |         |          |         |
| [3]             | EN2                        | R/W          | When this bit is 1, smoothing is enabled on the local temperature channel.   |                 |                            |         |          |         |          |         |          |         |         |         |         |          |         |          |         |          |         |                 |                            |         |          |         |          |         |          |         |          |         |         |          |         |          |         |          |         |
| [6:4]           | ACOU3                      | R/W          | Assuming that PWMx is associated with the Remote 2 temperature channel, these bits define the maximum rate of change of the PWMx output for Remote 2 Temperature related changes. Instead of the fan speed jumping instantaneously to its newly determined speed, it ramps gracefully at the rate determined by these bits. This feature ultimately enhances the acoustics of the fan.   |                 |                            |         |          |         |          |         |          |         |         |         |         |          |         |          |         |          |         |                 |                            |         |          |         |          |         |          |         |          |         |         |          |         |          |         |          |         |
| [7]             | EN3                        | R/W          | When this bit is 1, smoothing is enabled on the Remote 2 temperature channel.  |                 |                            |         |          |         |          |         |          |         |         |         |         |          |         |          |         |          |         |                 |                            |         |          |         |          |         |          |         |          |         |         |          |         |          |         |          |         |

1. This register becomes read-only when the Configuration Register 1 (0x40) Lock bit is set to 1. Any further attempts to write to this register have no effect.

**Table 76. PWM MINIMUM DUTY CYCLE REGISTERS**

| Register Address | R/W (Note 1) | Description             | Power-On Default      |
|------------------|--------------|-------------------------|-----------------------|
| 0x64             | R/W          | PWM1 Minimum Duty Cycle | 0x80 (50% Duty Cycle) |
| 0x65             | R/W          | PWM2 Minimum Duty Cycle | 0x80 (50% Duty Cycle) |
| 0x66             | R/W          | PWM3 Minimum Duty Cycle | 0x80 (50% Duty Cycle) |

1. These registers become read-only when the ADT7490 is in automatic fan control mode.

**Table 77. REGISTER 0x64, REGISTER 0x65, AND REGISTER 0x66 – PWM1, PWM2, AND PWM3 MIN DUTY CYCLES (POWER-ON DEFAULT = 0x80)**

| Register Address | R/W (Note 1) | Description  |
|------------------|--------------|--|
| [7:0]            | R/W          | <p>These bits define the PWM<sub>MIN</sub> duty cycle for PWMx.</p> <p>0x00 = 0% Duty Cycle (Fan Off)</p> <p>0x40 = 25% Duty Cycle</p> <p>0x80 = 50% Duty Cycle</p> <p>0xFF = 100% Duty Cycle (Fan Full Speed)</p> |

1. This register becomes read-only when the Configuration Register 1 (0x40) Lock bit is set to 1. Any further attempts to write to this register have no effect.

**Table 78. T<sub>MIN</sub> REGISTERS** (Note 1)

| Register Address | R/W (Note 2) | Description                           | Power-On Default |
|------------------|--------------|---------------------------------------|------------------|
| 0x67             | R/W          | Remote 1 Temperature T <sub>MIN</sub> | 0x5A (90°C)      |
| 0x68             | R/W          | Local Temperature T <sub>MIN</sub>    | 0x5A (90°C)      |
| 0x69             | R/W          | Remote 2 Temperature T <sub>MIN</sub> | 0x5A (90°C)      |

1. These are the T<sub>MIN</sub> registers for each temperature channel. When the temperature measured exceeds T<sub>MIN</sub>, the appropriate fan runs at minimum speed and increases with temperature according to T<sub>RANGE</sub>.
2. These registers become read-only when the Configuration Register 1 (0x40) Lock bit is set. Any further attempts to write to these registers have no effect.

**Table 79. THERM LIMIT REGISTERS** (Note 1)

| Register Address | R/W (Note 2) | Description                      | Power-On Default |
|------------------|--------------|----------------------------------|------------------|
| 0x6A             | R/W          | Remote 1 THERM Temperature Limit | 0x64 (100°C)     |
| 0x6B             | R/W          | Local THERM Temperature Limit    | 0x64 (100°C)     |
| 0x6C             | R/W          | Remote 2 THERM Temperature Limit | 0x64 (100°C)     |

1. If any temperature measured exceeds its THERM limit, all PWM outputs drive their fans at 100% duty cycle. This is a fail-safe mechanism incorporated to cool the system in the event of a critical over temperature. It also ensures some level of cooling in the event that software or hardware locks up. If set to 0x80, this feature is disabled. The PWM output remains at 100% until the temperature drops below THERM limit – hysteresis. If the THERM pin is programmed as an output, exceeding these limits by 0.25°C can cause the THERM pin to assert low as an output.
2. These registers become read-only when the Configuration Register 1 (0x40) Lock bit is set to 1. Any further attempts to write to these registers have no effect.

**Table 80. TEMPERATURE/T<sub>MIN</sub> HYSTERESIS REGISTERS**

| Register Address | R/W (Note 1) | Description  | Power-On Default |
|------------------|--------------|--|------------------|
| 0x6D             | R/W          | Remote 1 and Local Temperature/T <sub>MIN</sub> Hysteresis | 0x44             |
| 0x6E             | R/W          | PECI and Remote 2 Temperature/T <sub>MIN</sub> Hysteresis  | 0x44             |

1. These registers become read-only when the Configuration Register 1 (0x40) Lock bit is set to 1. Any further attempts to write to these registers have no effect.

**Table 81. REGISTER 0x6D – REMOTE 1 AND LOCAL TEMPERATURE/T<sub>MIN</sub> HYSTERESIS**  
(POWER-ON DEFAULT = 0x44)

| Bit No.<br>(Note 1) | Mnemonic | R/W<br>(Note 2) | Description  |
|---------------------|----------|-----------------|--|
| [3:0]               | HYSL     | R/W             | Local temperature hysteresis. 0°C to 15°C of hysteresis can be applied to the Local temperature AFC control loops.       |
| [7:4]               | HYSR1    | R/W             | Remote 1 temperature hysteresis. 0°C to 15°C of hysteresis can be applied to the Remote 1 Temperature AFC control loops. |

1. Each 4-bit value controls the amount of temperature hysteresis applied to a particular temperature channel. Once the temperature for that channel falls below its T<sub>MIN</sub> value, the fan remains running at PWM<sub>MIN</sub> duty cycle until the temperature = T<sub>MIN</sub> – hysteresis. Up to 15°C of hysteresis can be assigned to any temperature channel. The hysteresis value chosen also applies to that temperature channel if its THERM limit is exceeded. The PWM output being controlled goes to 100%, if the THERM limit is exceeded and remains at 100% until the temperature drops below THERM – hysteresis. For acoustic reasons, it is recommended that the hysteresis value not be programmed less than 4°C. Setting the hysteresis value lower than 4°C causes the fan to switch on and off regularly when the temperature is close to T<sub>MIN</sub>.
2. These registers become read-only when the Configuration Register 1 Lock bit is set to 1. Any further attempts to write to these registers have no effect.

**Table 82. REGISTER 0x6E – REMOTE 2 AND PECI TEMPERATURE/T<sub>MIN</sub> HYSTERESIS (POWER-ON DEFAULT = 0x44)**

| Bit No.<br>(Note 1) | Mnemonic | R/W<br>(Note 2) | Description   |
|---------------------|----------|-----------------|---|
| [3:0]               | HYSP     | R/W             | PECI temperature hysteresis. 0°C to 15°C of hysteresis can be applied to the PECI AFC control loops.                  |
| [7:4]               | HYSR2    | R/W             | Remote 2 temperature hysteresis. 0°C to 15°C of hysteresis can be applied to the local temperature AFC control loops. |

- Each 4-bit value controls the amount of temperature hysteresis applied to a particular temperature channel. Once the temperature for that channel falls below its T<sub>MIN</sub> value, the fan remains running at PWM<sub>MIN</sub> duty cycle until the temperature = T<sub>MIN</sub> – hysteresis. Up to 15°C of hysteresis can be assigned to any temperature channel. The hysteresis value chosen also applies to that temperature channel, if its THERM limit is exceeded. The PWM output being controlled goes to 100%, if the THERM limit is exceeded and remains at 100% until the temperature drops below THERM – hysteresis. For acoustic reasons, it is recommended that the hysteresis value not be programmed less than 4°C. Setting the hysteresis value lower than 4°C causes the fan to switch on and off regularly when the temperature is close to T<sub>MIN</sub>.
- These registers become read-only when the Configuration Register 1 (0x40) Lock bit is set to 1. Any further attempts to write to these registers have no effect.

**Table 83. REGISTER 0x6F – XNOR TREE TEST ENABLE (POWER-ON DEFAULT = 0x00)**

| Bit No. | Mnemonic | R/W (Note 1) | Description  |
|---------|----------|--------------|--|
| [0]     | XEN      | R/W          | If the XEN bit is set to 1, the device enters the XNOR tree test mode. Clearing the bit removes the device from the XNOR tree test mode. |
| [7:1]   | RES      | R/W          | Unused/reserved. Do not write to these bits.   |

- This register becomes read-only when the Configuration Register 1 (0x40) Lock bit is set to 1. Any further attempts to write to this register have no effect.

**Table 84. REGISTER 0x70 – REMOTE 1 TEMPERATURE OFFSET (POWER-ON DEFAULT = 0x00)**

| Bit No. | R/W (Note 1) | Description   |
|---------|--------------|---|
| [7:0]   | R/W          | Allows a temperature offset to be automatically applied to the Remote 1 temperature channel measurement. Bit 1 of Configuration Register 5 (0x7C) determines the range and resolution of this register. |

- This register becomes read-only when the Configuration Register 1 (0x40) Lock bit is set to 1. Any further attempts to write to this register have no effect.

**Table 85. REGISTER 0x71 – LOCAL TEMPERATURE OFFSET (POWER-ON DEFAULT = 0x00)**

| Bit No. | R/W (Note 1) | Description  |
|---------|--------------|--|
| [7:0]   | R/W          | Allows a temperature offset to be automatically applied to the local temperature measurement. Bit 1 of Configuration Register 5 (0x7C) determines the range and resolution of this register. |

- This register becomes read-only when the Configuration Register 1 (0x40) Lock bit is set to 1. Any further attempts to write to this register have no effect.

**Table 86. REGISTER 0x72 – REMOTE 2 TEMPERATURE OFFSET (POWER-ON DEFAULT = 0x00)**

| Bit No. | R/W (Note 1) | Description   |
|---------|--------------|---|
| [7:0]   | R/W          | Allows a temperature offset to be automatically applied to the Remote 2 temperature channel measurement. Bit 1 of Configuration Register 5 (0x7C) determines the range and resolution of this register. |

- This register becomes read-only when the Configuration Register 1 (0x40) Lock bit is set to 1. Any further attempts to write to this register have no effect.

# ADT7490

**Table 87. REGISTER 0x73 – CONFIGURATION REGISTER 2 (POWER-ON DEFAULT = 0x00)**

| Bit No.  | Mnemonic             | R/W (Note 1) | Description   |          |                      |      |                      |      |                  |      |                 |      |                    |      |                     |      |                      |      |                   |      |                      |      |                 |      |                  |
|----------|----------------------|--------------|---|----------|----------------------|------|----------------------|------|------------------|------|-----------------|------|--------------------|------|---------------------|------|----------------------|------|-------------------|------|----------------------|------|-----------------|------|------------------|
| 0        | FanPresDT            | R/W          | When FanPresDT = 1, the state of Bits [3:1] of this register reflects the presence of a 4-wire fan on the appropriate TACH channel.   |          |                      |      |                      |      |                  |      |                 |      |                    |      |                     |      |                      |      |                   |      |                      |      |                 |      |                  |
| 1        | Fan1Detect           | Read-only    | Fan1Detect = 1 indicates that a 4-wire fan is connected to the PWM1 input.  |          |                      |      |                      |      |                  |      |                 |      |                    |      |                     |      |                      |      |                   |      |                      |      |                 |      |                  |
| 2        | Fan2Detect           | Read-only    | Fan2Detect = 1 indicates that a 4-wire fan is connected to the PWM2 input.  |          |                      |      |                      |      |                  |      |                 |      |                    |      |                     |      |                      |      |                   |      |                      |      |                 |      |                  |
| 3        | Fan3Detect           | Read-only    | Fan3Detect = 1 indicates that a 4-wire fan is connected to the PWM3 input.  |          |                      |      |                      |      |                  |      |                 |      |                    |      |                     |      |                      |      |                   |      |                      |      |                 |      |                  |
| 4        | AVG                  | R/W          | AVG = 1 indicates that averaging on the temperature and voltage measurements is turned off. This allows measurements on each channel to be made much faster (x16).  |          |                      |      |                      |      |                  |      |                 |      |                    |      |                     |      |                      |      |                   |      |                      |      |                 |      |                  |
| 5        | ATTN                 | R/W          | ATTN = 1 indicates that the ADT7490 removes the attenuators from the +2.5 V <sub>IN</sub> , V <sub>CCP</sub> , +5 V <sub>IN</sub> , and +12 V <sub>IN</sub> inputs. These inputs can be used for other functions such as connecting up external sensors. It is also possible to remove attenuators from individual channels using Bits [7:4] of Configuration Register 4 (0x7D).  |          |                      |      |                      |      |                  |      |                 |      |                    |      |                     |      |                      |      |                   |      |                      |      |                 |      |                  |
| 6        | CONV                 | R/W          | <p>CONV = 1 indicates that the ADT7490 is put into a single-channel ADC conversion mode. In this mode, the ADT7490 can be made to read continuously from one input only, for example, Remote 1 temperature. The appropriate ADC channel is selected by writing to Bits [7:4] of TACH1 minimum high byte register (0x55).</p> <p><b>When CONV = 1, Bits [7:4], Register 0x55</b></p> <table border="0"> <thead> <tr> <th>Bit Code</th> <th>ADC Channel Selected</th> </tr> </thead> <tbody> <tr> <td>0000</td> <td>+2.5 V<sub>IN</sub></td> </tr> <tr> <td>0001</td> <td>V<sub>CCP</sub></td> </tr> <tr> <td>0010</td> <td>V<sub>CC</sub></td> </tr> <tr> <td>0011</td> <td>+5 V<sub>IN</sub></td> </tr> <tr> <td>0100</td> <td>+12 V<sub>IN</sub></td> </tr> <tr> <td>0101</td> <td>Remote 1 Temperature</td> </tr> <tr> <td>0110</td> <td>Local Temperature</td> </tr> <tr> <td>0111</td> <td>Remote 2 Temperature</td> </tr> <tr> <td>1000</td> <td>V<sub>TT</sub></td> </tr> <tr> <td>1001</td> <td>I<sub>MON</sub></td> </tr> </tbody> </table> | Bit Code | ADC Channel Selected | 0000 | +2.5 V <sub>IN</sub> | 0001 | V <sub>CCP</sub> | 0010 | V <sub>CC</sub> | 0011 | +5 V <sub>IN</sub> | 0100 | +12 V <sub>IN</sub> | 0101 | Remote 1 Temperature | 0110 | Local Temperature | 0111 | Remote 2 Temperature | 1000 | V <sub>TT</sub> | 1001 | I <sub>MON</sub> |
| Bit Code | ADC Channel Selected |              |   |          |                      |      |                      |      |                  |      |                 |      |                    |      |                     |      |                      |      |                   |      |                      |      |                 |      |                  |
| 0000     | +2.5 V <sub>IN</sub> |              |   |          |                      |      |                      |      |                  |      |                 |      |                    |      |                     |      |                      |      |                   |      |                      |      |                 |      |                  |
| 0001     | V <sub>CCP</sub>     |              |   |          |                      |      |                      |      |                  |      |                 |      |                    |      |                     |      |                      |      |                   |      |                      |      |                 |      |                  |
| 0010     | V <sub>CC</sub>      |              |   |          |                      |      |                      |      |                  |      |                 |      |                    |      |                     |      |                      |      |                   |      |                      |      |                 |      |                  |
| 0011     | +5 V <sub>IN</sub>   |              |   |          |                      |      |                      |      |                  |      |                 |      |                    |      |                     |      |                      |      |                   |      |                      |      |                 |      |                  |
| 0100     | +12 V <sub>IN</sub>  |              |   |          |                      |      |                      |      |                  |      |                 |      |                    |      |                     |      |                      |      |                   |      |                      |      |                 |      |                  |
| 0101     | Remote 1 Temperature |              |   |          |                      |      |                      |      |                  |      |                 |      |                    |      |                     |      |                      |      |                   |      |                      |      |                 |      |                  |
| 0110     | Local Temperature    |              |   |          |                      |      |                      |      |                  |      |                 |      |                    |      |                     |      |                      |      |                   |      |                      |      |                 |      |                  |
| 0111     | Remote 2 Temperature |              |   |          |                      |      |                      |      |                  |      |                 |      |                    |      |                     |      |                      |      |                   |      |                      |      |                 |      |                  |
| 1000     | V <sub>TT</sub>      |              |   |          |                      |      |                      |      |                  |      |                 |      |                    |      |                     |      |                      |      |                   |      |                      |      |                 |      |                  |
| 1001     | I <sub>MON</sub>     |              |   |          |                      |      |                      |      |                  |      |                 |      |                    |      |                     |      |                      |      |                   |      |                      |      |                 |      |                  |
| 7        | Shutdown             | R/W          | When the shutdown bit is set to 1, the ADT7490 goes into shutdown mode.   |          |                      |      |                      |      |                  |      |                 |      |                    |      |                     |      |                      |      |                   |      |                      |      |                 |      |                  |

1. This register becomes read-only when the Configuration Register 1 (0x40) Lock bit is set to 1. Any further attempts to write to this register have no effect.

**Table 88. REGISTER 0x74 – INTERRUPT MASK REGISTER 1 (POWER-ON DEFAULT = 0x00)**

| Bit No. | Mnemonic                        | R/W | Description   |
|---------|---------------------------------|-----|---|
| [0]     | +2.5 V <sub>IN</sub> /<br>THERM | R/W | +2.5 V <sub>IN</sub> /THERM = 1 masks $\overline{\text{SMBALERT}}$ for out-of-limit conditions on the +2.5 V <sub>IN</sub> /THERM timer channel.  |
| [1]     | V <sub>CCP</sub>                | R/W | V <sub>CCP</sub> = 1 masks $\overline{\text{SMBALERT}}$ for out-of-limit conditions on the V <sub>CCP</sub> channel.  |
| [2]     | V <sub>CC</sub>                 | R/W | V <sub>CC</sub> = 1 masks $\overline{\text{SMBALERT}}$ for out-of-limit conditions on the V <sub>CC</sub> channel.  |
| [3]     | +5 V <sub>IN</sub>              | R/W | +5 V <sub>IN</sub> = 1 masks $\overline{\text{SMBALERT}}$ for out-of-limit conditions on the +5 V <sub>IN</sub> channel.  |
| [4]     | R1T                             | R/W | R1T = 1 masks $\overline{\text{SMBALERT}}$ for out-of-limit conditions on the Remote 1 temperature channel.   |
| [5]     | LT                              | R/W | LT = 1 masks $\overline{\text{SMBALERT}}$ for out-of-limit conditions on the local temperature channel.   |
| [6]     | R2T                             | R/W | R2T = 1 masks $\overline{\text{SMBALERT}}$ for out-of-limit conditions on the Remote 2 temperature channel.   |
| [7]     | OOL                             | R/W | OOL = 1 masks $\overline{\text{SMBALERT}}$ assertions when the OOL status bit is set. Note that the OOL mask bit is independent of the individual mask bits associated with Interrupt Status Register 2. Therefore, if the intention is to mask $\overline{\text{SMBALERT}}$ assertions for any of the Interrupt Status Register 2 bits, OOL must also be masked. |

**Table 89. REGISTER 0x75 – INTERRUPT MASK REGISTER 2 (POWER-ON DEFAULT = 0x00)**

| Bit No. | Mnemonic            | R/W | Description   |
|---------|---------------------|-----|---|
| [0]     | +12 V <sub>IN</sub> | R/W | When Pin 21 is configured as a +12 V <sub>IN</sub> input, +12 V <sub>IN</sub> = 1 masks $\overline{\text{SMBALERT}}$ for out-of-limit conditions on the +12 V <sub>IN</sub> channel.  |
| [1]     | OOL                 | R/W | OOL = 1 masks $\overline{\text{SMBALERT}}$ assertions when the OOL status bit is set. Note that the OOL mask bit is independent of the individual mask bits in Interrupt Mask Register 3 (0x82). Therefore, if the intention is to mask $\overline{\text{SMBALERT}}$ assertions for any of the Interrupt Status Register 4 bits, OOL must also be masked. |
| [2]     | FAN1                | R/W | FAN1 = 1 masks $\overline{\text{SMBALERT}}$ for a Fan 1 fault.  |
| [3]     | FAN2                | R/W | FAN2 = 1 masks $\overline{\text{SMBALERT}}$ for a Fan 2 fault.  |
| [4]     | FAN3                | R/W | FAN3 = 1 masks $\overline{\text{SMBALERT}}$ for a Fan 3 fault.  |
| [5]     | Fan4/<br>THERM      | R/W | If Pin 14 is configured as TACH4, Fan4/THERM = 1 masks $\overline{\text{SMBALERT}}$ for a Fan 4 fault. If Pin 14 is configured as THERM, Fan4/THERM = 1 masks $\overline{\text{SMBALERT}}$ for an exceeded THERM timer limit.   |
| [6]     | D1 FAULT            | R/W | D1 = 1 masks $\overline{\text{SMBALERT}}$ for a diode open or short on a Remote 1 channel.  |
| [7]     | D2 FAULT            | R/W | D2 = 1 masks $\overline{\text{SMBALERT}}$ for a diode open or short on a Remote 2 channel.  |

**Table 90. REGISTER 0x76 – EXTENDED RESOLUTION REGISTER 1 (POWER-ON DEFAULT = 0x00)** (Note 1)

| Bit No. | Mnemonic             | R/W       | Description  |
|---------|----------------------|-----------|--|
| [1:0]   | +2.5 V <sub>IN</sub> | Read-only | +2.5 V <sub>IN</sub> LSBs. Holds the 2 LSBs of the 10-bit +2.5 V <sub>IN</sub> Measurement |
| [3:2]   | V <sub>CCP</sub>     | Read-only | V <sub>CCP</sub> LSBs. Holds the 2 LSBs of the 10-bit V <sub>CCP</sub> Measurement         |
| [5:4]   | V <sub>CC</sub>      | Read-only | V <sub>CC</sub> LSBs. Holds the 2 LSBs of the 10-bit V <sub>CC</sub> Measurement           |
| [7:6]   | +5 V <sub>IN</sub>   | Read-only | +5 V <sub>IN</sub> LSBs. Holds the 2 LSBs of the 10-bit +5 V <sub>IN</sub> Measurement     |

1. If this register is read, this register and the registers holding the MSB of each reading are frozen until read.

**Table 91. REGISTER 0x77 – EXTENDED RESOLUTION REGISTER 2 (POWER-ON DEFAULT = 0x00)** (Note 1)

| Bit No. | Mnemonic            | R/W       | Description  |
|---------|---------------------|-----------|--|
| [1:0]   | +12 V <sub>IN</sub> | Read-only | +12 V <sub>IN</sub> LSBs. Holds the 2 LSBs of the 10-bit +12 V <sub>IN</sub> Measurement   |
| [3:2]   | TDM1                | Read-only | Remote 1 Temperature LSBs. Holds the 2 LSBs of the 10-bit Remote 1 Temperature Measurement |
| [5:4]   | LTMP                | Read-only | Local Temperature LSBs. Holds the 2 LSBs of the 10-bit Local Temperature Measurement       |
| [7:6]   | TDM2                | Read-only | Remote 2 Temperature LSBs. Holds the 2 LSBs of the 10-bit Remote 2 Temperature Measurement |

1. If this register is read, this register and the registers holding the MSB of each reading are frozen until read.



**Table 92. REGISTER 0x78 – CONFIGURATION REGISTER 3 (POWER-ON DEFAULT = 0x00)**

| Bit No.            | Mnemonic                          | R/W (Note 1)         | Description   |                    |                                   |        |        |    |   |                      |       |    |   |                      |       |    |   |                      |          |    |   |                      |     |    |   |       |       |    |   |                      |       |    |   |       |          |    |   |       |     |
|--------------------|-----------------------------------|----------------------|---|--------------------|-----------------------------------|--------|--------|----|---|----------------------|-------|----|---|----------------------|-------|----|---|----------------------|----------|----|---|----------------------|-----|----|---|-------|-------|----|---|----------------------|-------|----|---|-------|----------|----|---|-------|-----|
| [0]                | ALERT Enable                      | R/W                  | ALERT = 1, Pin 10 (PWM2/SMBALERT) is configured as an SMBALERT interrupt output to indicate out-of-limit error conditions.<br>ALERT = 0, Pin 10 (PWM2/SMBALERT) is configured as the PWM2 output.   |                    |                                   |        |        |    |   |                      |       |    |   |                      |       |    |   |                      |          |    |   |                      |     |    |   |       |       |    |   |                      |       |    |   |       |          |    |   |       |     |
| [1]                | THERM/<br>+2.5V <sub>IN</sub>     | R/W                  | THERM = 1 enables THERM functionality on Pin 22 and Pin 14, if Pin 14 is configured as THERM, determined by Bit 0 and Bit 1 (Pin 14 Func) of Configuration Register 4 (0x7D). When THERM is asserted, if the fans are running and the BOOST bit is set, then the fans run at full speed. Alternatively, THERM can be programmed so that a timer is triggered to time how long THERM has been asserted.<br>THERM = 0 enables +2.5V <sub>IN</sub> measurement on Pin 22 and disables THERM. If Bits [5:7] of Configuration Register 5 (0x7C) are set, THERM is bidirectional. If they are 0, THERM is a timer input only.<br><br><table border="1"> <thead> <tr> <th>Pin 14 Func (0x7D)</th> <th>THERM/+2.5 V<sub>IN</sub> (0x78)</th> <th>Pin 22</th> <th>Pin 14</th> </tr> </thead> <tbody> <tr> <td>00</td> <td>0</td> <td>+2.5 V<sub>IN</sub></td> <td>TACH4</td> </tr> <tr> <td>01</td> <td>0</td> <td>+2.5 V<sub>IN</sub></td> <td>TACH4</td> </tr> <tr> <td>10</td> <td>0</td> <td>+2.5 V<sub>IN</sub></td> <td>SMBALERT</td> </tr> <tr> <td>11</td> <td>0</td> <td>+2.5 V<sub>IN</sub></td> <td>N/A</td> </tr> <tr> <td>00</td> <td>1</td> <td>THERM</td> <td>TACH4</td> </tr> <tr> <td>01</td> <td>1</td> <td>+2.5 V<sub>IN</sub></td> <td>THERM</td> </tr> <tr> <td>10</td> <td>1</td> <td>THERM</td> <td>SMBALERT</td> </tr> <tr> <td>11</td> <td>1</td> <td>THERM</td> <td>N/A</td> </tr> </tbody> </table> | Pin 14 Func (0x7D) | THERM/+2.5 V <sub>IN</sub> (0x78) | Pin 22 | Pin 14 | 00 | 0 | +2.5 V <sub>IN</sub> | TACH4 | 01 | 0 | +2.5 V <sub>IN</sub> | TACH4 | 10 | 0 | +2.5 V <sub>IN</sub> | SMBALERT | 11 | 0 | +2.5 V <sub>IN</sub> | N/A | 00 | 1 | THERM | TACH4 | 01 | 1 | +2.5 V <sub>IN</sub> | THERM | 10 | 1 | THERM | SMBALERT | 11 | 1 | THERM | N/A |
| Pin 14 Func (0x7D) | THERM/+2.5 V <sub>IN</sub> (0x78) | Pin 22               | Pin 14  |                    |                                   |        |        |    |   |                      |       |    |   |                      |       |    |   |                      |          |    |   |                      |     |    |   |       |       |    |   |                      |       |    |   |       |          |    |   |       |     |
| 00                 | 0                                 | +2.5 V <sub>IN</sub> | TACH4   |                    |                                   |        |        |    |   |                      |       |    |   |                      |       |    |   |                      |          |    |   |                      |     |    |   |       |       |    |   |                      |       |    |   |       |          |    |   |       |     |
| 01                 | 0                                 | +2.5 V <sub>IN</sub> | TACH4   |                    |                                   |        |        |    |   |                      |       |    |   |                      |       |    |   |                      |          |    |   |                      |     |    |   |       |       |    |   |                      |       |    |   |       |          |    |   |       |     |
| 10                 | 0                                 | +2.5 V <sub>IN</sub> | SMBALERT  |                    |                                   |        |        |    |   |                      |       |    |   |                      |       |    |   |                      |          |    |   |                      |     |    |   |       |       |    |   |                      |       |    |   |       |          |    |   |       |     |
| 11                 | 0                                 | +2.5 V <sub>IN</sub> | N/A   |                    |                                   |        |        |    |   |                      |       |    |   |                      |       |    |   |                      |          |    |   |                      |     |    |   |       |       |    |   |                      |       |    |   |       |          |    |   |       |     |
| 00                 | 1                                 | THERM                | TACH4   |                    |                                   |        |        |    |   |                      |       |    |   |                      |       |    |   |                      |          |    |   |                      |     |    |   |       |       |    |   |                      |       |    |   |       |          |    |   |       |     |
| 01                 | 1                                 | +2.5 V <sub>IN</sub> | THERM   |                    |                                   |        |        |    |   |                      |       |    |   |                      |       |    |   |                      |          |    |   |                      |     |    |   |       |       |    |   |                      |       |    |   |       |          |    |   |       |     |
| 10                 | 1                                 | THERM                | SMBALERT  |                    |                                   |        |        |    |   |                      |       |    |   |                      |       |    |   |                      |          |    |   |                      |     |    |   |       |       |    |   |                      |       |    |   |       |          |    |   |       |     |
| 11                 | 1                                 | THERM                | N/A   |                    |                                   |        |        |    |   |                      |       |    |   |                      |       |    |   |                      |          |    |   |                      |     |    |   |       |       |    |   |                      |       |    |   |       |          |    |   |       |     |
| [2]                | BOOST                             | R/W                  | When THERM is an input and BOOST = 1, assertion of THERM causes all fans to run at the maximum programmed duty cycle for fail-safe cooling.   |                    |                                   |        |        |    |   |                      |       |    |   |                      |       |    |   |                      |          |    |   |                      |     |    |   |       |       |    |   |                      |       |    |   |       |          |    |   |       |     |
| [3]                | FAST                              | R/W                  | FAST = 1 enables fast TACH measurements on all channels. This increases the TACH measurement rate from once per second to once every 250 ms (4x).   |                    |                                   |        |        |    |   |                      |       |    |   |                      |       |    |   |                      |          |    |   |                      |     |    |   |       |       |    |   |                      |       |    |   |       |          |    |   |       |     |
| [4]                | DC1                               | R/W                  | DC1 = 1 enables TACH measurements to be continuously made on TACH1. Fans must be driven by dc. Setting this bit prevents pulse stretching because it is not required for dc-driven motors.  |                    |                                   |        |        |    |   |                      |       |    |   |                      |       |    |   |                      |          |    |   |                      |     |    |   |       |       |    |   |                      |       |    |   |       |          |    |   |       |     |
| [5]                | DC2                               | R/W                  | DC2 = 1 enables TACH measurements to be continuously made on TACH2. Fans must be driven by dc. Setting this bit prevents pulse stretching because it is not required for dc-driven motors.  |                    |                                   |        |        |    |   |                      |       |    |   |                      |       |    |   |                      |          |    |   |                      |     |    |   |       |       |    |   |                      |       |    |   |       |          |    |   |       |     |
| [6]                | DC3                               | R/W                  | DC3 = 1 enables TACH measurements to be continuously made on TACH3. Fans must be driven by dc. Setting this bit prevents pulse stretching because it is not required for dc-driven motors.  |                    |                                   |        |        |    |   |                      |       |    |   |                      |       |    |   |                      |          |    |   |                      |     |    |   |       |       |    |   |                      |       |    |   |       |          |    |   |       |     |
| [7]                | DC4                               | R/W                  | DC4 = 1 enables TACH measurements to be continuously made on TACH4. Fans must be driven by dc. Setting this bit prevents pulse stretching because it is not required for dc-driven motors.  |                    |                                   |        |        |    |   |                      |       |    |   |                      |       |    |   |                      |          |    |   |                      |     |    |   |       |       |    |   |                      |       |    |   |       |          |    |   |       |     |

1. Bits [3:0] of this register become read-only when the Configuration Register 1 Lock (0x40) bit is set to 1. Any further attempts to write to Bits [3:0] have no effect.

**Table 93. REGISTER 0x79 – THERM TIMER STATUS REGISTER (POWER-ON DEFAULT = 0x00)**

| Bit No. | Mnemonic      | R/W | Description   |
|---------|---------------|-----|---|
| [0]     | ASRT/<br>TMR0 | R   | This bit is set high on the assertion of the THERM input and is cleared on read. If the THERM assertion time exceeds 45.52 ms, this bit is set and becomes the LSB of the 8-bit TMR reading. This allows THERM assertion times from 45.52 ms to 5.82 sec to be reported back with a resolution of 22.76 ms. |
| [7:1]   | TMR           | R   | Times how long THERM input is asserted. These seven bits read 0 until the THERM assertion time exceeds 45.52 ms.  |

**Table 94. REGISTER 0x7A – THERM TIMER LIMIT REGISTER (POWER-ON DEFAULT = 0x00)**

| Bit No. | Mnemonic | R/W | Description  |
|---------|----------|-----|--|
| [7:0]   | LIMIT    | R/W | Sets maximum THERM assertion length allowed before an interrupt is generated. This is an 8-bit limit with a resolution of 22.76 ms allowing THERM assertion limits of 45.52 ms to 5.82 sec to be programmed. If the THERM assertion time exceeds this limit, Bit 5 (FAN4/THERM) of Interrupt Status Register 2 (0x42) is set. If the limit value is 0x00, an interrupt is generated immediately on the assertion of the THERM input. If THERM is configured as an output, the THERM timer limit should be set to 0xFF to avoid unwanted alerts from being generated. |

# ADT7490

**Table 95. REGISTER 0x7B – TACH PULSES PER REVOLUTION REGISTER (POWER-ON DEFAULT = 0x55)**

| Bit No.  | Mnemonic       | R/W | Description  |          |                |    |   |    |             |    |   |    |   |
|----------|----------------|-----|--|----------|----------------|----|---|----|-------------|----|---|----|---|
| [1:0]    | FAN1           | R/W | <p>Sets number of pulses to be counted when measuring Fan 1 speed. Can be used to determine fan pulses per revolution for unknown fan type.</p> <table border="0"> <thead> <tr> <th>Bit Code</th> <th>Pulses Counted</th> </tr> </thead> <tbody> <tr> <td>00</td> <td>1</td> </tr> <tr> <td>01</td> <td>2 (Default)</td> </tr> <tr> <td>10</td> <td>3</td> </tr> <tr> <td>11</td> <td>4</td> </tr> </tbody> </table> | Bit Code | Pulses Counted | 00 | 1 | 01 | 2 (Default) | 10 | 3 | 11 | 4 |
| Bit Code | Pulses Counted |     |  |          |                |    |   |    |             |    |   |    |   |
| 00       | 1              |     |  |          |                |    |   |    |             |    |   |    |   |
| 01       | 2 (Default)    |     |  |          |                |    |   |    |             |    |   |    |   |
| 10       | 3              |     |  |          |                |    |   |    |             |    |   |    |   |
| 11       | 4              |     |  |          |                |    |   |    |             |    |   |    |   |
| [3:2]    | FAN2           | R/W | <p>Sets number of pulses to be counted when measuring Fan 2 speed. Can be used to determine fan pulses per revolution for unknown fan type.</p> <table border="0"> <thead> <tr> <th>Bit Code</th> <th>Pulses Counted</th> </tr> </thead> <tbody> <tr> <td>00</td> <td>1</td> </tr> <tr> <td>01</td> <td>2 (Default)</td> </tr> <tr> <td>10</td> <td>3</td> </tr> <tr> <td>11</td> <td>4</td> </tr> </tbody> </table> | Bit Code | Pulses Counted | 00 | 1 | 01 | 2 (Default) | 10 | 3 | 11 | 4 |
| Bit Code | Pulses Counted |     |  |          |                |    |   |    |             |    |   |    |   |
| 00       | 1              |     |  |          |                |    |   |    |             |    |   |    |   |
| 01       | 2 (Default)    |     |  |          |                |    |   |    |             |    |   |    |   |
| 10       | 3              |     |  |          |                |    |   |    |             |    |   |    |   |
| 11       | 4              |     |  |          |                |    |   |    |             |    |   |    |   |
| [5:4]    | FAN3           | R/W | <p>Sets number of pulses to be counted when measuring Fan 3 speed. Can be used to determine fan pulses per revolution for unknown fan type.</p> <table border="0"> <thead> <tr> <th>Bit Code</th> <th>Pulses Counted</th> </tr> </thead> <tbody> <tr> <td>00</td> <td>1</td> </tr> <tr> <td>01</td> <td>2 (Default)</td> </tr> <tr> <td>10</td> <td>3</td> </tr> <tr> <td>11</td> <td>4</td> </tr> </tbody> </table> | Bit Code | Pulses Counted | 00 | 1 | 01 | 2 (Default) | 10 | 3 | 11 | 4 |
| Bit Code | Pulses Counted |     |  |          |                |    |   |    |             |    |   |    |   |
| 00       | 1              |     |  |          |                |    |   |    |             |    |   |    |   |
| 01       | 2 (Default)    |     |  |          |                |    |   |    |             |    |   |    |   |
| 10       | 3              |     |  |          |                |    |   |    |             |    |   |    |   |
| 11       | 4              |     |  |          |                |    |   |    |             |    |   |    |   |
| [7:6]    | FAN4           | R/W | <p>Sets number of pulses to be counted when measuring Fan 4 speed. Can be used to determine fan pulses per revolution for unknown fan type.</p> <table border="0"> <thead> <tr> <th>Bit Code</th> <th>Pulses Counted</th> </tr> </thead> <tbody> <tr> <td>00</td> <td>1</td> </tr> <tr> <td>01</td> <td>2 (Default)</td> </tr> <tr> <td>10</td> <td>3</td> </tr> <tr> <td>11</td> <td>4</td> </tr> </tbody> </table> | Bit Code | Pulses Counted | 00 | 1 | 01 | 2 (Default) | 10 | 3 | 11 | 4 |
| Bit Code | Pulses Counted |     |  |          |                |    |   |    |             |    |   |    |   |
| 00       | 1              |     |  |          |                |    |   |    |             |    |   |    |   |
| 01       | 2 (Default)    |     |  |          |                |    |   |    |             |    |   |    |   |
| 10       | 3              |     |  |          |                |    |   |    |             |    |   |    |   |
| 11       | 4              |     |  |          |                |    |   |    |             |    |   |    |   |

# ADT7490

**Table 96. REGISTER 0x7C – CONFIGURATION REGISTER 5 (POWER-ON DEFAULT = 0x01)**

| Bit No. | Mnemonic                        | R/W (Note 1) | Description  |
|---------|---------------------------------|--------------|--|
| [0]     | TWOS<br>COMPL                   | R/W          | TWOS COMPL = 1 sets the temperature range to the twos complement temperature range. TWOS COMPL = 0 changes the temperature range to the Offset 64 temperature range. When this bit is changed, the ADT7490 interprets all relevant temperature register values as defined by this bit.   |
| [1]     | Temp Offset                     | R/W          | Temp Offset = 0 sets offset range to –63°C to +64°C with 0.5°C resolution. Temp Offset = 1 sets offset range to –63°C to +127°C with 1°C resolution. These settings apply to Register 0x70, Register 0x71, and Register 0x72 (Remote 1, Internal, and Remote 2 Temperature offset registers. Note that PECL offset is always 1°C resolution).  |
| [3:2]   | RES                             | R/W          | Reserved.  |
| [4]     | PECL R1<br>THERM<br>Output Only | R/W          | PECL R1 = 1 enables THERM assertions when the PECL temperature read is higher than the PECL T <sub>CONTROL</sub> limit and the THERM pin is bidirectional. If THERM is configured as an output, the THERM timer limit register (0x7A) should be set to 0xFF to avoid unwanted alerts from being generated.<br>PECL R1 = 0 indicates that the THERM pin is configured as a timer input only. Can also be disabled by writing one of the following values to the PECL T <sub>CONTROL</sub> limit register (0x3D):<br>Writing –64°C in Offset 64 mode.<br>Writing –128°C in twos complement mode. |
| [5]     | R1 THERM<br>Output Only         | R/W          | R1 = 1 enables THERM assertions when the Remote 1 temperature read is higher than the Remote 1 THERM limit and the THERM pin is bidirectional. If THERM is configured as an output, the THERM timer limit (Register 0x7A) should be set to 0xFF to avoid unwanted alerts from being generated.<br><br>R1 = 0 indicates that the THERM pin is configured as a timer input only. Can also be disabled by writing one of the following values to the Remote 1 THERM Temp Limit register (0x6A):<br>Writing –64°C in Offset 64 mode.<br>Writing –128°C in twos complement mode.                    |
| [6]     | Local<br>THERM<br>Output Only   | R/W          | R1 = 1 enables THERM assertions when the Local temperature read is higher than the Local THERM limit and the THERM pin is bidirectional. If THERM is configured as an output, the THERM timer limit (Register 0x7A) should be set to 0xFF to avoid unwanted alerts from being generated.<br>R1 = 0 indicates that the THERM pin is configured as a timer input only. Can also be disabled by writing one of the below values to the local THERM limit register (0x6B):<br>Writing –64°C in Offset 64 mode.<br>Writing –128°C in twos complement mode.  |
| [7]     | R2 THERM<br>Output Only         | R/W          | R1 = 1 enables THERM assertions when the Remote 2 temperature read is higher than the Remote 2 THERM limit and the THERM pin is bidirectional. If THERM is configured as an output, the THERM timer limit (Register 0x7A) should be set to 0xFF to avoid unwanted alerts from being generated.<br>R1 = 0 indicates that the THERM pin is configured as a timer input only. Can also be disabled by writing one of the below values to the Remote 2 THERM temperature limit register (0x6C):<br>Writing –64°C in Offset 64 mode.<br>Writing –128°C in twos complement mode.                     |

1. This register becomes read-only when the Configuration Register 1 (0x40) Lock bit is set to 1. Any further attempts to write to this register have no effect.

**Table 97. REGISTER 0x7D – CONFIGURATION REGISTER 4 (POWER-ON DEFAULT = 0x00)**

| Bit No. | Mnemonic                   | R/W (Note 1) | Description  |
|---------|----------------------------|--------------|--|
| [1:0]   | Pin 14 Func                | R/W          | These bits set the functionality of Pin 14.<br>00 = TACH4 (Default)<br>01 = THERM<br>10 = SMBALERT<br>11 = Reserved  |
| [2]     | THERM Disable              | R/W          | THERM Disable = 0 enables THERM overtemperature output assuming THERM is correctly configured (0x78, 0x7C, and 0x7D).<br>THERM Disable = 1 disables THERM overtemperature output on all channels. THERM can also be disabled on any channel by:<br>Writing -64°C to the appropriate THERM temperature limit in Offset 64 mode.<br>Writing -128°C to the appropriate THERM temperature limit in twos complement mode. |
| [3]     | Max/Full on THERM          | R/W          | Max/Full on THERM = 0 indicates that fans go to 100% when THERM temperature limit is exceeded.<br>Max/Full on THERM = 1 indicates that fans go to maximum speed (0x38, 0x39, 0x3A) when THERM temperature limit is exceeded.   |
| [4]     | BpAtt +2.5 V <sub>IN</sub> | R/W          | Bypass +2.5V <sub>IN</sub> attenuator. When set, the measurement scale for this channel changes from 0 V (0x00) to 2.25 V (0xFF).  |
| [5]     | BpAtt V <sub>CCP</sub>     | R/W          | Bypass V <sub>CCP</sub> attenuator. When set, the measurement scale for this channel changes from 0 V (0x00) to 2.25 V (0xFF).   |
| [6]     | BpAtt +5 V <sub>IN</sub>   | R/W          | Bypass +5 V <sub>IN</sub> attenuator. When set, the measurement scale for this channel changes from 0 V (0x00) to 2.25 V (0xFF).   |
| [7]     | BpAtt +12 V <sub>IN</sub>  | R/W          | Bypass +12 V <sub>IN</sub> attenuator. When set, the measurement scale for this channel changes from 0 V (0x00) to 2.25 V (0xFF).  |

1. This register becomes read-only when the Configuration Register 1 (0x40) Lock bit is set to 1. Any further attempts to write to this register have no effect.

**Table 98. REGISTER 0x7E – MANUFACTURER'S TEST REGISTER 1 (POWER-ON DEFAULT = 0x00)**

| Bit No. | Mnemonic | R/W (Note 1) | Description   |
|---------|----------|--------------|---|
| [7:0]   | Reserved | Read-only    | Manufacturer's test register. These bits are reserved for manufacturer's test purposes and should not be written to under normal operation. |

1. This register becomes read-only when the Configuration Register 1 (0x40) Lock bit is set to 1. Any further attempts to write to this register have no effect.

**Table 99. REGISTER 0x7F – MANUFACTURER'S TEST REGISTER 2 (POWER-ON DEFAULT = 0x00)**

| Bit No. | Mnemonic | R/W (Note 1) | Description   |
|---------|----------|--------------|---|
| [7:0]   | Reserved | Read-only    | Manufacturer's test register. These bits are reserved for manufacturer's test purposes and should not be written to under normal operation. |

1. This register becomes read-only when the Configuration Register 1 (0x40) Lock bit is set to 1. Any further attempts to write to this register have no effect.

**Table 100. REGISTER 0x80 – GPIO CONFIGURATION REGISTER (POWER-ON DEFAULT = 0x00)**

| Bit No. | Mnemonic  | R/W      | Description  |
|---------|-----------|----------|--|
| [1:0]   | RES       | Reserved | Reserved   |
| [2]     | GPIO2     | R/W      | If GPIO2 is set to input, this register reflects the state of the pin. If GPIO2 is configured as an output, writing to this register asserts the output high or low depending on the polarity. |
| [3]     | GPIO1     | R/W      | If GPIO1 is set to input, this register reflects the state of the pin. If GPIO1 is configured as an output, writing to this register asserts the output high or low depending on the polarity. |
| [4]     | GPIO2 POL | R/W      | GPIO2 polarity bit. Set to 0 for active low. Set to 1 for active high.   |
| [5]     | GPIO1 POL | R/W      | GPIO1 polarity bit. Set to 0 for active low. Set to 1 for active high.   |
| [6]     | GPIO2 DIR | R/W      | GPIO2 direction bit. Set to 1 for GPIO1 to act as an input, set to 0 for GPIO2 to act as an output.  |
| [7]     | GPIO1 DIR | R/W      | GPIO1 direction bit. Set to 1 for GPIO1 to act as an input, set to 0 for GPIO1 to act as an output.  |

**Table 101. REGISTER 0x81 – INTERRUPT STATUS REGISTER 4 (POWER-ON DEFAULT = 0x00)**

| Bit No. | Mnemonic         | R/W       | Description   |
|---------|------------------|-----------|---|
| [2:0]   | RES              | Read-only | Reserved  |
| [3]     | PECI1            | Read-only | A Logic 1 indicates that the PECI high or low limit has been exceeded by the PECI value from PECI Client Address 0x31. This bit is cleared on a read of the status register only if the error condition has subsided. |
| [4]     | PECI2            | Read-only | A Logic 1 indicates that the PECI high or low limit has been exceeded by the PECI value from PECI Client Address 0x32. This bit is cleared on a read of the status register only if the error condition has subsided. |
| [5]     | PECI3            | Read-only | A Logic 1 indicates that the PECI high or low limit has been exceeded by the PECI value from PECI Client Address 0x33. This bit is cleared on a read of the status register only if the error condition has subsided. |
| [6]     | I <sub>MON</sub> | Read-only | A Logic 1 indicates that the I <sub>MON</sub> high or low limit has been exceeded. This bit is cleared on a read of the status register only if the error condition has subsided.                                     |
| [7]     | V <sub>TT</sub>  | Read-only | A Logic 1 indicates that the V <sub>TT</sub> high or low limit has been exceeded. This bit is cleared on a read of the status register only if the error condition has subsided.                                      |

**Table 102. REGISTER 0x82 – INTERRUPT MASK REGISTER 3 (POWER-ON DEFAULT = 0x00) (Note 1)**

| Bit No. | Mnemonic | R/W | Description   |
|---------|----------|-----|---|
| [0]     | PECI0    | R/W | A Logic 1 masks $\overline{\text{SMBALERT}}$ assertions for out-of-limit conditions on PECI0.   |
| [1]     | DATA     | R/W | A Logic 1 masks $\overline{\text{SMBALERT}}$ assertions for PECI data errors.   |
| [2]     | COMM     | R/W | A Logic 1 masks $\overline{\text{SMBALERT}}$ assertions for PECI communications errors.   |
| [3]     | OVT      | R/W | OVT = 1 masks $\overline{\text{SMBALERT}}$ for overtemperature THERM conditions.  |
| [6:4]   | RES      | R/W | Reserved  |
| [7]     | OOL      | R/W | OOL = 1 masks $\overline{\text{SMBALERT}}$ assertions when the OOL status bit is set. Note that the OOL mask bit is independent of the individual mask bits of Interrupt Mask Register 4 (0x83). Therefore, if the intention is to mask $\overline{\text{SMBALERT}}$ assertions for any of the Interrupt Status Register 4 bits, OOL must also be masked. |

1. If the mask bits in Register 0x82 are set, it is also necessary to set the OOL mask bit in Register 0x75 to ensure the  $\overline{\text{SMBALERT}}$  output is not asserted.

**Table 103. REGISTER 0x83 – INTERRUPT MASK REGISTER 4 (POWER-ON DEFAULT = 0x00) (Note 1)**

| Bit No. | Mnemonic         | R/W | Description  |
|---------|------------------|-----|--|
| [2:0]   | RES              | R/W | Reserved   |
| [3]     | PECI1            | R/W | A Logic 1 masks $\overline{\text{ALERT}}$ assertions for out-of-limit conditions on PECI1.             |
| [4]     | PECI2            | R/W | A Logic 1 masks $\overline{\text{ALERT}}$ assertions for out-of-limit conditions on PECI2.             |
| [5]     | PECI3            | R/W | A Logic 1 masks $\overline{\text{ALERT}}$ assertions for out-of-limit conditions on PECI3.             |
| [6]     | I <sub>MON</sub> | R/W | A Logic 1 masks $\overline{\text{ALERT}}$ assertions for out-of-limit conditions on I <sub>MON</sub> . |
| [7]     | V <sub>TT</sub>  | R/W | A Logic 1 masks $\overline{\text{ALERT}}$ assertions for out-of-limit conditions on V <sub>TT</sub> .  |

1. If the mask bits in Register 0x83 are set, it is also necessary to set the OOL mask bit in Register 0x82 to ensure the  $\overline{\text{SMBALERT}}$  output is not asserted.

**Table 104. V<sub>TT</sub>, I<sub>MON</sub> LIMIT REGISTERS**

| Register Address | R/W (Note 1) | Description                 | Power-On Default |
|------------------|--------------|-----------------------------|------------------|
| 0x84             | R/W          | V <sub>TT</sub> Low Limit   | 0x00             |
| 0x85             | R/W          | I <sub>MON</sub> Low Limit  | 0x00             |
| 0x86             | R/W          | V <sub>TT</sub> High Limit  | 0xFF             |
| 0x87             | R/W          | I <sub>MON</sub> High Limit | 0xFF             |

1. These registers becomes read-only when the Configuration Register 1 (0x40) Lock bit is set to 1. Any subsequent attempts to write to these registers fail.

# ADT7490

**Table 105. REGISTER 0x88 – PECI CONFIGURATION REGISTER 2 (POWER-ON DEFAULT = 0x00)**

| Bit No. | Mnemonic | R/W (Note 1) | Description  |
|---------|----------|--------------|--|
| [2:0]   | RES      | R/W          | Reserved   |
| [3]     | DOM3     | R/W          | CPU domain count information. Set to 0 indicates that CPU 4 associated with the PECI3 reading has a single domain (default). Set to 1 indicates that the system CPU4 contains two domains.   |
| [4]     | DOM2     | R/W          | CPU domain count information. Set to 0 indicates that CPU 3 associated with the PECI2 reading has a single domain (default). Set to 1 indicates that the system CPU3 contains two domains.   |
| [5]     | DOM1     | R/W          | CPU domain count information. Set to 0 indicates that CPU 2 associated with the PECI1 reading has a single domain (default). Set to 1 indicates that the system CPU2 contains two domains.   |
| [7:6]   | #CPU     | R/W          | CPU count. These bits indicate the number of CPUs in the system, which provide PECI thermal information to the ADT7490.<br>00 = 1 CPU (default); indicates that PECI0 data is available from CPU 1 at Address 0x30.<br>01 = 2 CPUs; indicates that PECI0 data is available from CPU1 at Address 0x30 and PECI1 data is available from CPU 2 at Address 0x31.<br>10 = 3 CPUs; indicates that PECI0 data is available from CPU1 at Address 0x30, PECI1 data is available from CPU 2 at Address 0x31 and PECI2 data is available from CPU 3 at Address 0x32.<br>11 = 4 CPUs; indicates that PECI0 data is available from CPU1 at Address 0x30, PECI1 data is available from CPU 2 at Address 0x31, PECI2 data is available from CPU 3 at Address 0x32 and PECI3 data is available from CPU 4 at Address 0x33. |

1. This register becomes read-only when the Configuration Register 1 (0x40) Lock bit is set to 1. Any subsequent attempts to write to this register fail.

**Table 106. OPERATING POINT REGISTERS (Note 1 and 2)**

| Register Address | R/W (Note 3) | Description  | Power-On Default |
|------------------|--------------|--|------------------|
| 0x8A             | R/W          | PECI Operating Point Register                                | 0xFB             |
| 0x8B             | R/W          | Remote 1 Operating Point Register (Default = 100°C)          | 0x64             |
| 0x8C             | R/W          | Local Temperature Operating Point Register (Default = 100°C) | 0x64             |
| 0x8D             | R/W          | Remote 2 Operating Point Register (Default = 100°C)          | 0x64             |

1. These registers set the target operating point for each temperature channel when the dynamic  $T_{MIN}$  control feature is enabled.
2. The fans being controlled are adjusted to maintain temperature about an operating point.
3. This register becomes read-only when the Configuration Register 1 (0x40) Lock bit is set to 1. Any subsequent attempts to write to this register fail.

Table 107. REGISTER 0x8E – DYNAMIC T<sub>MIN</sub> CONTROL REGISTER 1 (POWER-ON DEFAULT = 0x00)

| Bit No. | Mnemonic            | R/W (Note 1) | Description  |
|---------|---------------------|--------------|--|
| [0]     | CYR2                | R/W          | MSB of 3-bit Remote 2 Cycle Value. The other two bits of the code reside in Dynamic T <sub>MIN</sub> Control Register 2 (0x8F). These three bits define the delay time between making subsequent T <sub>MIN</sub> adjustments in the control loop in terms of the number of monitoring cycles. The system has associated thermal time constants that need to be found to optimize the response of fans and the control loop.   |
| [1]     | V <sub>CCP</sub> LO | R/W          | V <sub>CCP</sub> LO = 1. When the power is supplied from 3.3 V STANDBY and the core voltage (V <sub>CCP</sub> ) drops below its V <sub>CCP</sub> low limit value (0x46), the following occurs:<br>Status Bit 1 in Status Register 1 is set.<br>SMBALERT is generated, if enabled.<br>PROCHOT monitoring is disabled.<br>Dynamic T <sub>MIN</sub> control is disabled.<br>The device is prevented from entering shutdown.<br>Everything is re-enabled once V <sub>CCP</sub> increases above the V <sub>CCP</sub> low limit. |
| [2]     | PHTR1               | R/W          | PHTR1 = 1 copies the Remote 1 current temperature to the Remote 1 operating point register if THERM is asserted. The operating point contains the temperature at which THERM is asserted, allowing the system to run as quietly as possible without affecting system performance.<br>PHTR1 = 0 ignores any THERM assertions on the THERM pin. The Remote 1 operating point register reflects its programmed value.   |
| [3]     | PHTL                | R/W          | PHTL = 1 copies the local channel's current temperature to the local operating point register if THERM is asserted. The operating point contains the temperature at which THERM is asserted. This allows the system to run as quietly as possible without affecting system performance.<br>PHTL = 0 ignores any THERM assertions on the THERM pin. The local temperature operating point register reflects its programmed value.   |
| [4]     | PHTR2               | R/W          | PHTR2 = 1 copies the Remote 2 current temperature to the Remote 2 operating point register if THERM is asserted. The operating point contains the temperature at which THERM is asserted, allowing the system to run as quietly as possible without affecting system performance.<br>PHTR2 = 0 ignores any THERM assertions on the THERM pin. The Remote 2 operating point register reflects its programmed value.   |
| [5]     | R1T                 | R/W          | R1T = 1 enables dynamic T <sub>MIN</sub> control on the Remote 1 temperature channel. The chosen T <sub>MIN</sub> value is dynamically adjusted based on the current temperature, operating point, and high and low limits for this zone.<br>R1T = 0 disables dynamic T <sub>MIN</sub> control. The T <sub>MIN</sub> value chosen is not adjusted, and the channel behaves as described in the section.  |
| [6]     | LT                  | R/W          | LT = 1 enables dynamic T <sub>MIN</sub> control on the local temperature channel. The chosen T <sub>MIN</sub> value is dynamically adjusted based on the current temperature, operating point, and high and low limits for this zone.<br>LT = 0 disables dynamic T <sub>MIN</sub> control. The T <sub>MIN</sub> value chosen is not adjusted, and the channel behaves as described in the Automatic Fan Control Overview section.  |
| [7]     | R2T                 | R/W          | R2T = 1 enables dynamic T <sub>MIN</sub> control on the Remote 2 temperature channel. The chosen T <sub>MIN</sub> value is dynamically adjusted based on the current temperature, operating point, and high and low limits for this zone.<br>R2T = 0 disables dynamic T <sub>MIN</sub> control. The T <sub>MIN</sub> value chosen is not adjusted, and the channel behaves as described in the Automatic Fan Control Overview section.   |

1. This register becomes read-only when the Configuration Register 1 (0x40) Lock bit is set to 1. Any subsequent attempts to write to this register fail.

# ADT7490

**Table 108. REGISTER 0x8F – DYNAMIC T<sub>MIN</sub> CONTROL REGISTER 2 (POWER-ON DEFAULT = 0x00)**

| Bit No.  | Mnemonic              | R/W (Note 1)          | Description  |          |                |                |     |                  |                   |     |                   |                   |     |                   |                   |     |                   |                     |     |                     |                     |     |                     |                     |     |                     |                       |     |                       |                       |
|----------|-----------------------|-----------------------|--|----------|----------------|----------------|-----|------------------|-------------------|-----|-------------------|-------------------|-----|-------------------|-------------------|-----|-------------------|---------------------|-----|---------------------|---------------------|-----|---------------------|---------------------|-----|---------------------|-----------------------|-----|-----------------------|-----------------------|
| [2:0]    | CYR1                  | R/W                   | <p>3-bit Remote 1 Cycle Value. These three bits define the delay time between making subsequent T<sub>MIN</sub> adjustments in the control loop for the Remote 1 channel in terms of number of monitoring cycles. The system has associated thermal time constants that need to be found to optimize the response of fans and the control loop.</p> <table border="1"> <thead> <tr> <th>Bit Code</th> <th>Decrease Cycle</th> <th>Increase Cycle</th> </tr> </thead> <tbody> <tr><td>000</td><td>8 cycles (1 sec)</td><td>16 cycles (2 sec)</td></tr> <tr><td>001</td><td>16 cycles (2 sec)</td><td>32 cycles (4 sec)</td></tr> <tr><td>010</td><td>32 cycles (4 sec)</td><td>64 cycles (8 sec)</td></tr> <tr><td>011</td><td>64 cycles (8 sec)</td><td>128 cycles (16 sec)</td></tr> <tr><td>100</td><td>128 cycles (16 sec)</td><td>256 cycles (32 sec)</td></tr> <tr><td>101</td><td>256 cycles (32 sec)</td><td>512 cycles (64 sec)</td></tr> <tr><td>110</td><td>512 cycles (64 sec)</td><td>1024 cycles (128 sec)</td></tr> <tr><td>111</td><td>1024 cycles (128 sec)</td><td>2048 cycles (256 sec)</td></tr> </tbody> </table>  | Bit Code | Decrease Cycle | Increase Cycle | 000 | 8 cycles (1 sec) | 16 cycles (2 sec) | 001 | 16 cycles (2 sec) | 32 cycles (4 sec) | 010 | 32 cycles (4 sec) | 64 cycles (8 sec) | 011 | 64 cycles (8 sec) | 128 cycles (16 sec) | 100 | 128 cycles (16 sec) | 256 cycles (32 sec) | 101 | 256 cycles (32 sec) | 512 cycles (64 sec) | 110 | 512 cycles (64 sec) | 1024 cycles (128 sec) | 111 | 1024 cycles (128 sec) | 2048 cycles (256 sec) |
| Bit Code | Decrease Cycle        | Increase Cycle        |  |          |                |                |     |                  |                   |     |                   |                   |     |                   |                   |     |                   |                     |     |                     |                     |     |                     |                     |     |                     |                       |     |                       |                       |
| 000      | 8 cycles (1 sec)      | 16 cycles (2 sec)     |  |          |                |                |     |                  |                   |     |                   |                   |     |                   |                   |     |                   |                     |     |                     |                     |     |                     |                     |     |                     |                       |     |                       |                       |
| 001      | 16 cycles (2 sec)     | 32 cycles (4 sec)     |  |          |                |                |     |                  |                   |     |                   |                   |     |                   |                   |     |                   |                     |     |                     |                     |     |                     |                     |     |                     |                       |     |                       |                       |
| 010      | 32 cycles (4 sec)     | 64 cycles (8 sec)     |  |          |                |                |     |                  |                   |     |                   |                   |     |                   |                   |     |                   |                     |     |                     |                     |     |                     |                     |     |                     |                       |     |                       |                       |
| 011      | 64 cycles (8 sec)     | 128 cycles (16 sec)   |  |          |                |                |     |                  |                   |     |                   |                   |     |                   |                   |     |                   |                     |     |                     |                     |     |                     |                     |     |                     |                       |     |                       |                       |
| 100      | 128 cycles (16 sec)   | 256 cycles (32 sec)   |  |          |                |                |     |                  |                   |     |                   |                   |     |                   |                   |     |                   |                     |     |                     |                     |     |                     |                     |     |                     |                       |     |                       |                       |
| 101      | 256 cycles (32 sec)   | 512 cycles (64 sec)   |  |          |                |                |     |                  |                   |     |                   |                   |     |                   |                   |     |                   |                     |     |                     |                     |     |                     |                     |     |                     |                       |     |                       |                       |
| 110      | 512 cycles (64 sec)   | 1024 cycles (128 sec) |  |          |                |                |     |                  |                   |     |                   |                   |     |                   |                   |     |                   |                     |     |                     |                     |     |                     |                     |     |                     |                       |     |                       |                       |
| 111      | 1024 cycles (128 sec) | 2048 cycles (256 sec) |  |          |                |                |     |                  |                   |     |                   |                   |     |                   |                   |     |                   |                     |     |                     |                     |     |                     |                     |     |                     |                       |     |                       |                       |
| [5:3]    | CYL                   | R/W                   | <p>3-bit Local Temperature Cycle Value. These three bits define the delay time between making subsequent T<sub>MIN</sub> adjustments in the control loop for the local temperature channel in terms of number of monitoring cycles. The system has associated thermal time constants that need to be found to optimize the response of fans and the control loop.</p> <table border="1"> <thead> <tr> <th>Bit Code</th> <th>Decrease Cycle</th> <th>Increase Cycle</th> </tr> </thead> <tbody> <tr><td>000</td><td>8 cycles (1 sec)</td><td>16 cycles (2 sec)</td></tr> <tr><td>001</td><td>16 cycles (2 sec)</td><td>32 cycles (4 sec)</td></tr> <tr><td>010</td><td>32 cycles (4 sec)</td><td>64 cycles (8 sec)</td></tr> <tr><td>011</td><td>64 cycles (8 sec)</td><td>128 cycles (16 sec)</td></tr> <tr><td>100</td><td>128 cycles (16 sec)</td><td>256 cycles (32 sec)</td></tr> <tr><td>101</td><td>256 cycles (32 sec)</td><td>512 cycles (64 sec)</td></tr> <tr><td>110</td><td>512 cycles (64 sec)</td><td>1024 cycles (128 sec)</td></tr> <tr><td>111</td><td>1024 cycles (128 sec)</td><td>2048 cycles (256 sec)</td></tr> </tbody> </table>  | Bit Code | Decrease Cycle | Increase Cycle | 000 | 8 cycles (1 sec) | 16 cycles (2 sec) | 001 | 16 cycles (2 sec) | 32 cycles (4 sec) | 010 | 32 cycles (4 sec) | 64 cycles (8 sec) | 011 | 64 cycles (8 sec) | 128 cycles (16 sec) | 100 | 128 cycles (16 sec) | 256 cycles (32 sec) | 101 | 256 cycles (32 sec) | 512 cycles (64 sec) | 110 | 512 cycles (64 sec) | 1024 cycles (128 sec) | 111 | 1024 cycles (128 sec) | 2048 cycles (256 sec) |
| Bit Code | Decrease Cycle        | Increase Cycle        |  |          |                |                |     |                  |                   |     |                   |                   |     |                   |                   |     |                   |                     |     |                     |                     |     |                     |                     |     |                     |                       |     |                       |                       |
| 000      | 8 cycles (1 sec)      | 16 cycles (2 sec)     |  |          |                |                |     |                  |                   |     |                   |                   |     |                   |                   |     |                   |                     |     |                     |                     |     |                     |                     |     |                     |                       |     |                       |                       |
| 001      | 16 cycles (2 sec)     | 32 cycles (4 sec)     |  |          |                |                |     |                  |                   |     |                   |                   |     |                   |                   |     |                   |                     |     |                     |                     |     |                     |                     |     |                     |                       |     |                       |                       |
| 010      | 32 cycles (4 sec)     | 64 cycles (8 sec)     |  |          |                |                |     |                  |                   |     |                   |                   |     |                   |                   |     |                   |                     |     |                     |                     |     |                     |                     |     |                     |                       |     |                       |                       |
| 011      | 64 cycles (8 sec)     | 128 cycles (16 sec)   |  |          |                |                |     |                  |                   |     |                   |                   |     |                   |                   |     |                   |                     |     |                     |                     |     |                     |                     |     |                     |                       |     |                       |                       |
| 100      | 128 cycles (16 sec)   | 256 cycles (32 sec)   |  |          |                |                |     |                  |                   |     |                   |                   |     |                   |                   |     |                   |                     |     |                     |                     |     |                     |                     |     |                     |                       |     |                       |                       |
| 101      | 256 cycles (32 sec)   | 512 cycles (64 sec)   |  |          |                |                |     |                  |                   |     |                   |                   |     |                   |                   |     |                   |                     |     |                     |                     |     |                     |                     |     |                     |                       |     |                       |                       |
| 110      | 512 cycles (64 sec)   | 1024 cycles (128 sec) |  |          |                |                |     |                  |                   |     |                   |                   |     |                   |                   |     |                   |                     |     |                     |                     |     |                     |                     |     |                     |                       |     |                       |                       |
| 111      | 1024 cycles (128 sec) | 2048 cycles (256 sec) |  |          |                |                |     |                  |                   |     |                   |                   |     |                   |                   |     |                   |                     |     |                     |                     |     |                     |                     |     |                     |                       |     |                       |                       |
| [7:6]    | CYR2                  | R/W                   | <p>2 LSBs of 3-bit Remote 2 Cycle Value. The MSB of the 3-bit code resides in the Dynamic T<sub>MIN</sub> Control Register 1 (Register 0x8E). These three bits define the delay time between making subsequent T<sub>MIN</sub> adjustments in the control loop for the Remote 2 channel in terms of number of monitoring cycles. The system has associated thermal time constants that need to be found to optimize the response of fans and the control loop.</p> <table border="1"> <thead> <tr> <th>Bit Code</th> <th>Decrease Cycle</th> <th>Increase Cycle</th> </tr> </thead> <tbody> <tr><td>000</td><td>8 cycles (1 sec)</td><td>16 cycles (2 sec)</td></tr> <tr><td>001</td><td>16 cycles (2 sec)</td><td>32 cycles (4 sec)</td></tr> <tr><td>010</td><td>32 cycles (4 sec)</td><td>64 cycles (8 sec)</td></tr> <tr><td>011</td><td>64 cycles (8 sec)</td><td>128 cycles (16 sec)</td></tr> <tr><td>100</td><td>128 cycles (16 sec)</td><td>256 cycles (32 sec)</td></tr> <tr><td>101</td><td>256 cycles (32 sec)</td><td>512 cycles (64 sec)</td></tr> <tr><td>110</td><td>512 cycles (64 sec)</td><td>1024 cycles (128 sec)</td></tr> <tr><td>111</td><td>1024 cycles (128 sec)</td><td>2048 cycles (256 sec)</td></tr> </tbody> </table> | Bit Code | Decrease Cycle | Increase Cycle | 000 | 8 cycles (1 sec) | 16 cycles (2 sec) | 001 | 16 cycles (2 sec) | 32 cycles (4 sec) | 010 | 32 cycles (4 sec) | 64 cycles (8 sec) | 011 | 64 cycles (8 sec) | 128 cycles (16 sec) | 100 | 128 cycles (16 sec) | 256 cycles (32 sec) | 101 | 256 cycles (32 sec) | 512 cycles (64 sec) | 110 | 512 cycles (64 sec) | 1024 cycles (128 sec) | 111 | 1024 cycles (128 sec) | 2048 cycles (256 sec) |
| Bit Code | Decrease Cycle        | Increase Cycle        |  |          |                |                |     |                  |                   |     |                   |                   |     |                   |                   |     |                   |                     |     |                     |                     |     |                     |                     |     |                     |                       |     |                       |                       |
| 000      | 8 cycles (1 sec)      | 16 cycles (2 sec)     |  |          |                |                |     |                  |                   |     |                   |                   |     |                   |                   |     |                   |                     |     |                     |                     |     |                     |                     |     |                     |                       |     |                       |                       |
| 001      | 16 cycles (2 sec)     | 32 cycles (4 sec)     |  |          |                |                |     |                  |                   |     |                   |                   |     |                   |                   |     |                   |                     |     |                     |                     |     |                     |                     |     |                     |                       |     |                       |                       |
| 010      | 32 cycles (4 sec)     | 64 cycles (8 sec)     |  |          |                |                |     |                  |                   |     |                   |                   |     |                   |                   |     |                   |                     |     |                     |                     |     |                     |                     |     |                     |                       |     |                       |                       |
| 011      | 64 cycles (8 sec)     | 128 cycles (16 sec)   |  |          |                |                |     |                  |                   |     |                   |                   |     |                   |                   |     |                   |                     |     |                     |                     |     |                     |                     |     |                     |                       |     |                       |                       |
| 100      | 128 cycles (16 sec)   | 256 cycles (32 sec)   |  |          |                |                |     |                  |                   |     |                   |                   |     |                   |                   |     |                   |                     |     |                     |                     |     |                     |                     |     |                     |                       |     |                       |                       |
| 101      | 256 cycles (32 sec)   | 512 cycles (64 sec)   |  |          |                |                |     |                  |                   |     |                   |                   |     |                   |                   |     |                   |                     |     |                     |                     |     |                     |                     |     |                     |                       |     |                       |                       |
| 110      | 512 cycles (64 sec)   | 1024 cycles (128 sec) |  |          |                |                |     |                  |                   |     |                   |                   |     |                   |                   |     |                   |                     |     |                     |                     |     |                     |                     |     |                     |                       |     |                       |                       |
| 111      | 1024 cycles (128 sec) | 2048 cycles (256 sec) |  |          |                |                |     |                  |                   |     |                   |                   |     |                   |                   |     |                   |                     |     |                     |                     |     |                     |                     |     |                     |                       |     |                       |                       |

1. This register becomes read-only when the Configuration Register 1 (0x40) Lock bit is set to 1. Any subsequent attempts to write to this register fail.



**Table 109. REGISTER 0x90 – DYNAMIC T<sub>MIN</sub> CONTROL REGISTER 3 (POWER-ON DEFAULT = 0x00)**

| Bit No.  | Mnemonic              | R/W (Note 1)          | Description  |          |                |                |     |                  |                   |     |                   |                   |     |                   |                   |     |                   |                     |     |                     |                     |     |                     |                     |     |                     |                       |     |                       |                       |
|----------|-----------------------|-----------------------|--|----------|----------------|----------------|-----|------------------|-------------------|-----|-------------------|-------------------|-----|-------------------|-------------------|-----|-------------------|---------------------|-----|---------------------|---------------------|-----|---------------------|---------------------|-----|---------------------|-----------------------|-----|-----------------------|-----------------------|
| [2:0]    | RES                   | Reserved              | Reserved   |          |                |                |     |                  |                   |     |                   |                   |     |                   |                   |     |                   |                     |     |                     |                     |     |                     |                     |     |                     |                       |     |                       |                       |
| [5:3]    | CYP                   | R/W                   | <p>3-bit PECI Temperature Cycle Value. These three bits define the delay time between making subsequent T<sub>MIN</sub> adjustments in the control loop for the PECI temperature channels in terms of number of monitoring cycles. The system has associated thermal time constants that need to be found to optimize the response of fans and the control loop.</p> <table border="1"> <thead> <tr> <th>Bit Code</th> <th>Decrease Cycle</th> <th>Increase Cycle</th> </tr> </thead> <tbody> <tr> <td>000</td> <td>8 cycles (1 sec)</td> <td>16 cycles (2 sec)</td> </tr> <tr> <td>001</td> <td>16 cycles (2 sec)</td> <td>32 cycles (4 sec)</td> </tr> <tr> <td>010</td> <td>32 cycles (4 sec)</td> <td>64 cycles (8 sec)</td> </tr> <tr> <td>011</td> <td>64 cycles (8 sec)</td> <td>128 cycles (16 sec)</td> </tr> <tr> <td>100</td> <td>128 cycles (16 sec)</td> <td>256 cycles (32 sec)</td> </tr> <tr> <td>101</td> <td>256 cycles (32 sec)</td> <td>512 cycles (64 sec)</td> </tr> <tr> <td>110</td> <td>512 cycles (64 sec)</td> <td>1024 cycles (128 sec)</td> </tr> <tr> <td>111</td> <td>1024 cycles (128 sec)</td> <td>2048 cycles (256 sec)</td> </tr> </tbody> </table> | Bit Code | Decrease Cycle | Increase Cycle | 000 | 8 cycles (1 sec) | 16 cycles (2 sec) | 001 | 16 cycles (2 sec) | 32 cycles (4 sec) | 010 | 32 cycles (4 sec) | 64 cycles (8 sec) | 011 | 64 cycles (8 sec) | 128 cycles (16 sec) | 100 | 128 cycles (16 sec) | 256 cycles (32 sec) | 101 | 256 cycles (32 sec) | 512 cycles (64 sec) | 110 | 512 cycles (64 sec) | 1024 cycles (128 sec) | 111 | 1024 cycles (128 sec) | 2048 cycles (256 sec) |
| Bit Code | Decrease Cycle        | Increase Cycle        |  |          |                |                |     |                  |                   |     |                   |                   |     |                   |                   |     |                   |                     |     |                     |                     |     |                     |                     |     |                     |                       |     |                       |                       |
| 000      | 8 cycles (1 sec)      | 16 cycles (2 sec)     |  |          |                |                |     |                  |                   |     |                   |                   |     |                   |                   |     |                   |                     |     |                     |                     |     |                     |                     |     |                     |                       |     |                       |                       |
| 001      | 16 cycles (2 sec)     | 32 cycles (4 sec)     |  |          |                |                |     |                  |                   |     |                   |                   |     |                   |                   |     |                   |                     |     |                     |                     |     |                     |                     |     |                     |                       |     |                       |                       |
| 010      | 32 cycles (4 sec)     | 64 cycles (8 sec)     |  |          |                |                |     |                  |                   |     |                   |                   |     |                   |                   |     |                   |                     |     |                     |                     |     |                     |                     |     |                     |                       |     |                       |                       |
| 011      | 64 cycles (8 sec)     | 128 cycles (16 sec)   |  |          |                |                |     |                  |                   |     |                   |                   |     |                   |                   |     |                   |                     |     |                     |                     |     |                     |                     |     |                     |                       |     |                       |                       |
| 100      | 128 cycles (16 sec)   | 256 cycles (32 sec)   |  |          |                |                |     |                  |                   |     |                   |                   |     |                   |                   |     |                   |                     |     |                     |                     |     |                     |                     |     |                     |                       |     |                       |                       |
| 101      | 256 cycles (32 sec)   | 512 cycles (64 sec)   |  |          |                |                |     |                  |                   |     |                   |                   |     |                   |                   |     |                   |                     |     |                     |                     |     |                     |                     |     |                     |                       |     |                       |                       |
| 110      | 512 cycles (64 sec)   | 1024 cycles (128 sec) |  |          |                |                |     |                  |                   |     |                   |                   |     |                   |                   |     |                   |                     |     |                     |                     |     |                     |                     |     |                     |                       |     |                       |                       |
| 111      | 1024 cycles (128 sec) | 2048 cycles (256 sec) |  |          |                |                |     |                  |                   |     |                   |                   |     |                   |                   |     |                   |                     |     |                     |                     |     |                     |                     |     |                     |                       |     |                       |                       |
| [6]      | PHTP                  | R/W                   | <p>PHTR1 = 1 copies the PECI0 current reading to the PECI operating point register if THERM is asserted. The operating point contains the temperature at which THERM is asserted, allowing the system to run as quietly as possible without affecting system performance. PHTR1 = 0 ignores any THERM assertions on the THERM pin. The PECI operating point register reflects its programmed value.</p>  |          |                |                |     |                  |                   |     |                   |                   |     |                   |                   |     |                   |                     |     |                     |                     |     |                     |                     |     |                     |                       |     |                       |                       |
| [7]      | PECI                  | R/W                   | <p>PECI = 1 enables dynamic T<sub>MIN</sub> control on the PECI temperature channel. The chosen T<sub>MIN</sub> value is dynamically adjusted based on the current temperature, operating point, and high and low limits for this zone.<br/>                     PECI = 0 disables dynamic T<sub>MIN</sub> control. The T<sub>MIN</sub> value chosen is not adjusted and the channel behaves as described in the Automatic Fan Control Overview section.</p>   |          |                |                |     |                  |                   |     |                   |                   |     |                   |                   |     |                   |                     |     |                     |                     |     |                     |                     |     |                     |                       |     |                       |                       |

1. This register becomes read-only when the Configuration Register 1 (0x40) Lock bit is set to 1. Any subsequent attempts to write to this register fail.

**Table 110. REGISTER 0x94 – PECI0 TEMPERATURE OFFSET (POWER-ON DEFAULT = 0x00)**

| Bit No. | R/W (Note 1) | Description   |
|---------|--------------|---|
| [7:0]   | R/W          | Allows a temperature offset to be automatically applied to the PECI0 channel measurements. The programmable offset range is from -63°C to +127°C with 1°C resolution. |

1. This register becomes read-only when the Configuration Register 1 (0x40) Lock bit is set to 1. Any further attempts to write to this register have no effect.

**Table 111. REGISTER 0x95 – PECI1 TEMPERATURE OFFSET (POWER-ON DEFAULT = 0x00)**

| Bit No. | R/W (Note 1) | Description   |
|---------|--------------|---|
| [7:0]   | R/W          | Allows a temperature offset to be automatically applied to the PECI1 channel measurements. The programmable offset range is from -63°C to +127°C with 1°C resolution. |

1. This register becomes read-only when the Configuration Register 1 (0x40) Lock bit is set to 1. Any further attempts to write to this register have no effect.

**Table 112. REGISTER 0x96 – PECI2 TEMPERATURE OFFSET (POWER-ON DEFAULT = 0x00)**

| Bit No. | R/W (Note 1) | Description   |
|---------|--------------|---|
| [7:0]   | R/W          | Allows a temperature offset to be automatically applied to the PECI2 channel measurements. The programmable offset range is from -63°C to +127°C with 1°C resolution. |

1. This register becomes read-only when the Configuration Register 1 (0x40) Lock bit is set to 1. Any further attempts to write to this register have no effect.

**Table 113. REGISTER 0x97 – PECI3 TEMPERATURE OFFSET (POWER-ON DEFAULT = 0x00)**

| Bit No. | R/W (Note 1) | Description   |
|---------|--------------|---|
| [7:0]   | R/W          | Allows a temperature offset to be automatically applied to the PECI3 channel measurements. The programmable offset range is from -63°C to +127°C with 1°C resolution. |

1. This register becomes read-only when the Configuration Register 1 (0x40) Lock bit is set to 1. Any further attempts to write to this register have no effect.

# ADT7490

**Table 114. ORDERING INFORMATION**

| <b>Device Order Number*</b> | <b>Package Type</b> | <b>Package Option</b> | <b>Shipping†</b>  |
|-----------------------------|---------------------|-----------------------|-------------------|
| ADT7490ARQZ-REEL            | 24-lead QSOP        | RQ-24                 | 2,500 Tape & Reel |

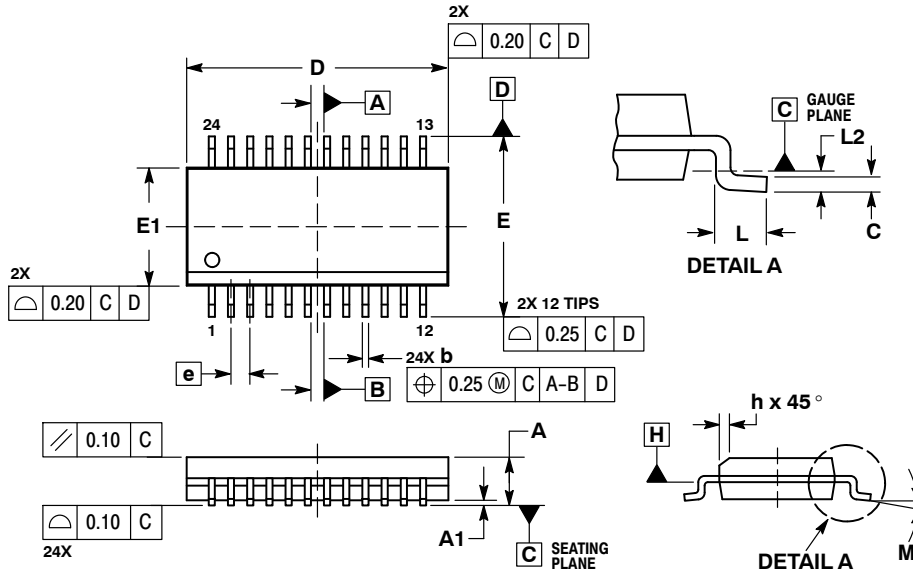
†For information on tape and reel specifications, including part orientation and tape sizes, please refer to our Tape and Reel Packaging Specifications Brochure, BRD8011/D.

\*This is a Pb-Free package.

# ADT7490

## PACKAGE DIMENSIONS

QSOP24 NB  
CASE 492B-01  
ISSUE A

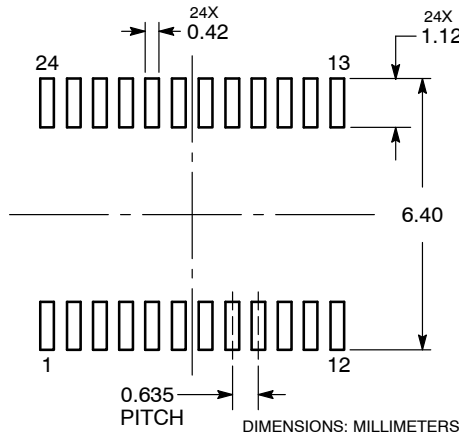


**NOTES:**

1. DIMENSIONING AND TOLERANCING PER ASME Y14.5M, 1994.
2. CONTROLLING DIMENSION: MILLIMETERS.
3. DIMENSION b DOES NOT INCLUDE DAMBAR PROTRUSION.
4. DIMENSION D DOES NOT INCLUDE MOLD FLASH, PROTRUSIONS, OR GATE BURRS. MOLD FLASH, PROTRUSIONS, OR GATE BURRS SHALL NOT EXCEED 0.15 PER SIDE. DIMENSION E1 DOES NOT INCLUDE INTERLEAD FLASH OR PROTRUSION. INTERLEAD FLASH OR PROTRUSION SHALL NOT EXCEED 0.15 PER SIDE. D AND E1 ARE DETERMINED AT DATUM H.
5. DATUMS A AND B ARE DETERMINED AT DATUM H.

| MILLIMETERS |           |      |
|-------------|-----------|------|
| DIM         | MIN       | MAX  |
| A           | 1.35      | 1.75 |
| A1          | 0.10      | 0.25 |
| b           | 0.20      | 0.30 |
| C           | 0.19      | 0.25 |
| D           | 8.65 BSC  |      |
| E           | 6.00 BSC  |      |
| E1          | 3.90 BSC  |      |
| e           | 0.635 BSC |      |
| h           | 0.22      | 0.50 |
| L           | 0.40      | 1.27 |
| L2          | 0.25 BSC  |      |
| M           | 0°        | 8°   |

### SOLDERING FOOTPRINT\*



\*For additional information on our Pb-Free strategy and soldering details, please download the ON Semiconductor Soldering and Mounting Techniques Reference Manual, SOLDERRM/D.

Pentium is a registered trademark of Intel Corporation.

ON Semiconductor and are registered trademarks of Semiconductor Components Industries, LLC (SCILLC). SCILLC owns the rights to a number of patents, trademarks, copyrights, trade secrets, and other intellectual property. A listing of SCILLC's product/patent coverage may be accessed at [www.onsemi.com/site/pdf/Patent-Marking.pdf](http://www.onsemi.com/site/pdf/Patent-Marking.pdf). SCILLC reserves the right to make changes without further notice to any products herein. SCILLC makes no warranty, representation or guarantee regarding the suitability of its products for any particular purpose, nor does SCILLC assume any liability arising out of the application or use of any product or circuit, and specifically disclaims any and all liability, including without limitation special, consequential or incidental damages. "Typical" parameters which may be provided in SCILLC data sheets and/or specifications can and do vary in different applications and actual performance may vary over time. All operating parameters, including "Typicals" must be validated for each customer application by customer's technical experts. SCILLC does not convey any license under its patent rights nor the rights of others. SCILLC products are not designed, intended, or authorized for use as components in systems intended for surgical implant into the body, or other applications intended to support or sustain life, or for any other application in which the failure of the SCILLC product could create a situation where personal injury or death may occur. Should Buyer purchase or use SCILLC products for any such unintended or unauthorized application, Buyer shall indemnify and hold SCILLC and its officers, employees, subsidiaries, affiliates, and distributors harmless against all claims, costs, damages, and expenses, and reasonable attorney fees arising out of, directly or indirectly, any claim of personal injury or death associated with such unintended or unauthorized use, even if such claim alleges that SCILLC was negligent regarding the design or manufacture of the part. SCILLC is an Equal Opportunity/Affirmative Action Employer. This literature is subject to all applicable copyright laws and is not for resale in any manner.

### PUBLICATION ORDERING INFORMATION

**LITERATURE FULFILLMENT:**  
Literature Distribution Center for ON Semiconductor  
P.O. Box 5163, Denver, Colorado 80217 USA  
Phone: 303-675-2175 or 800-344-3860 Toll Free USA/Canada  
Fax: 303-675-2176 or 800-344-3867 Toll Free USA/Canada  
Email: [orderlit@onsemi.com](mailto:orderlit@onsemi.com)

**N. American Technical Support:** 800-282-9855 Toll Free  
USA/Canada  
**Europe, Middle East and Africa Technical Support:**  
Phone: 421 33 790 2910  
**Japan Customer Focus Center**  
Phone: 81-3-5817-1050

**ON Semiconductor Website:** [www.onsemi.com](http://www.onsemi.com)  
**Order Literature:** <http://www.onsemi.com/orderlit>

For additional information, please contact your local Sales Representative